

[54] **INCENSE HOLDER**

[76] Inventor: **Dolores L. Gordon**, 7701 S. Western St., Los Angeles, Calif. 90047

[**] Term: **14 Years**

[21] Appl. No.: **149,110**

[22] Filed: **May 12, 1980**

[51] Int. Cl. **D31-00**

[52] U.S. Cl. **D23/78**

[58] Field of Search **D23/78; 422/125, 126**

[56] **References Cited**

U.S. PATENT DOCUMENTS

- D. 235,345 6/1975 Fields D23/78
- D. 245,992 10/1977 Gruber D23/78
- D. 246,910 1/1978 Patel D23/78
- D. 253,548 11/1979 Gruber D23/78

Primary Examiner—Catherine E. Kemper

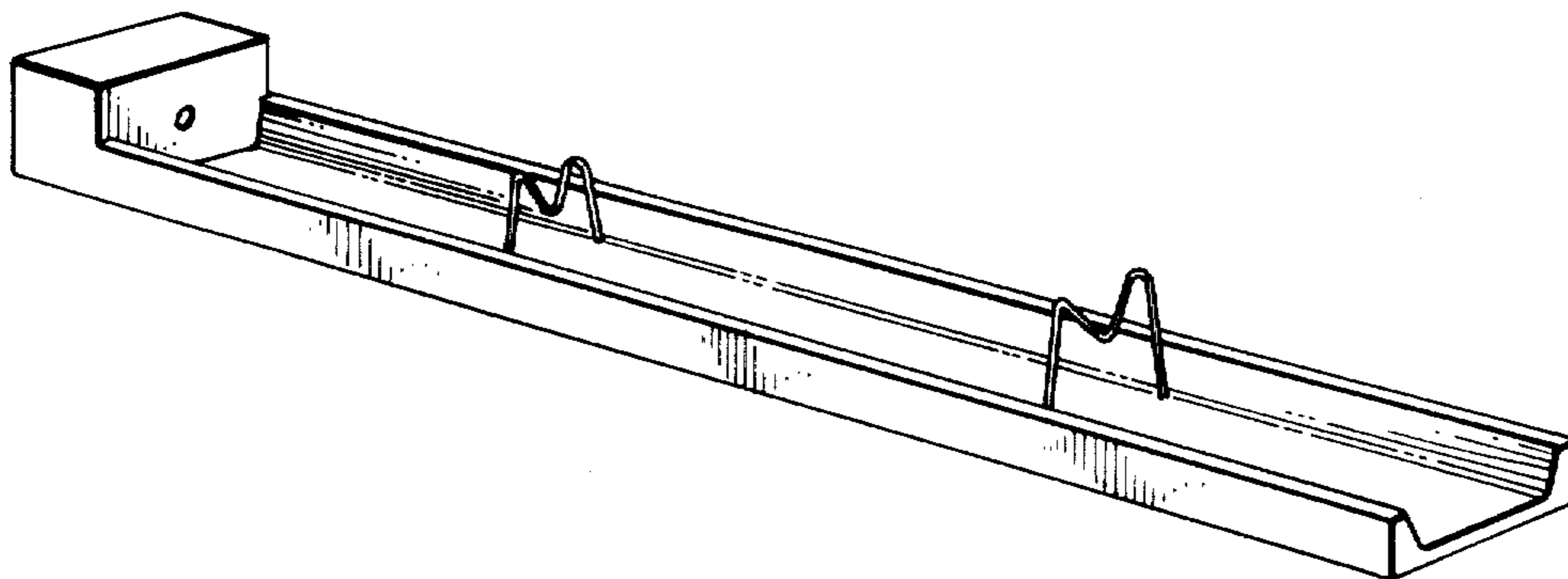
Attorney, Agent, or Firm—Nilsson, Robbins, Dalgarn, Berliner, Carson & Wurst

[57] **CLAIM**

The ornamental design for an incense holder, substantially as shown and described.

DESCRIPTION

FIG. 1 is a top perspective view of an incense holder, showing my new design;
FIG. 2 is a side elevational view, the opposite side being a mirror image thereof;
FIG. 3 is a top plan view thereof;
FIG. 4 is a bottom plan view thereof;
FIG. 5 is a front elevational view thereof;
FIG. 6 is a rear elevational view thereof;
FIG. 7 is a top perspective view of a second embodiment of an incense holder;
FIG. 8 is a side elevational view, the opposite side being a mirror image thereof;
FIG. 9 is a top plan view thereof;
FIG. 10 is a bottom plan view thereof;
FIG. 11 is a front elevational view thereof; and
FIG. 12 is a rear elevational view thereof.



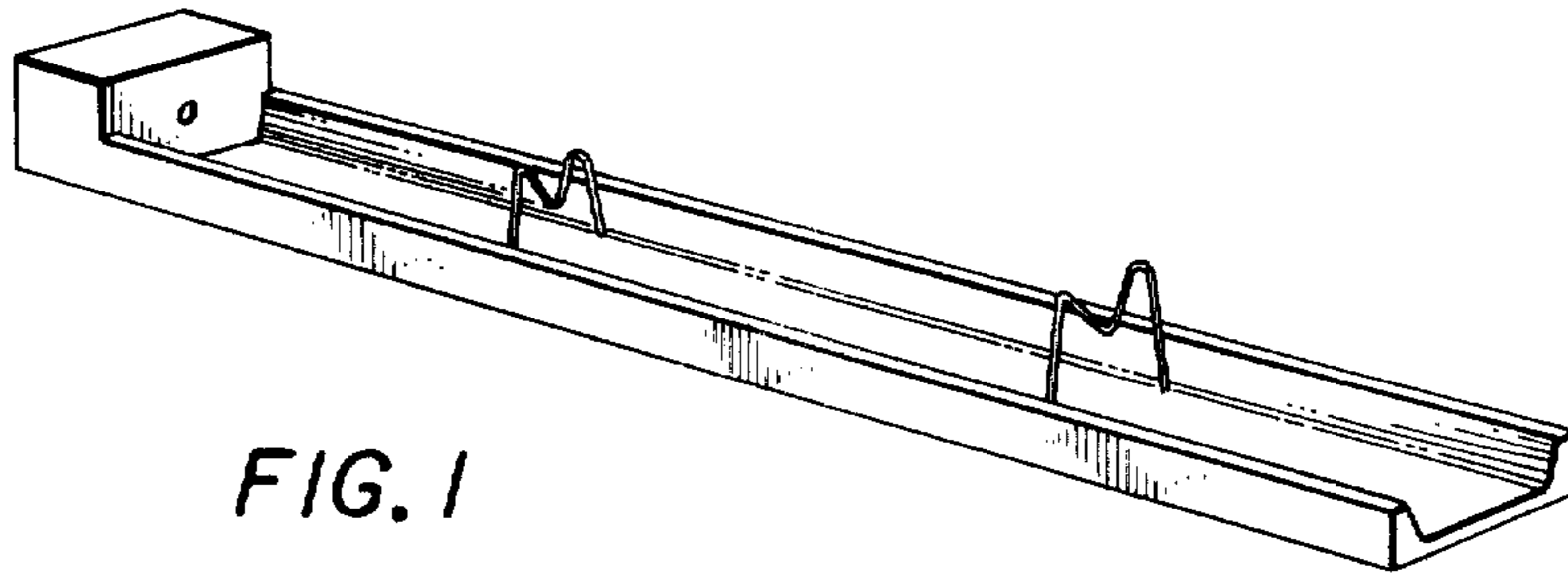


FIG. 1

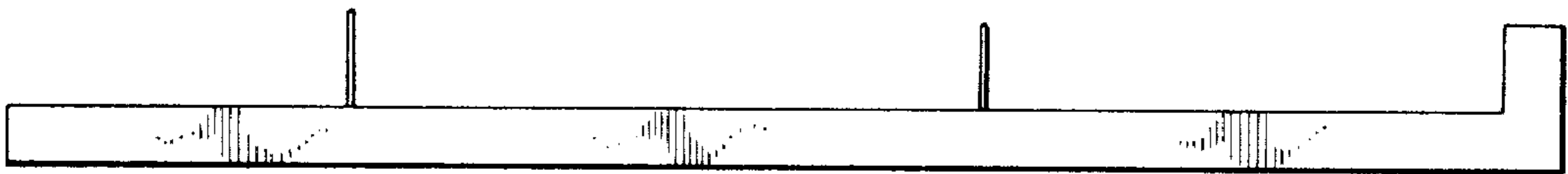


FIG. 2

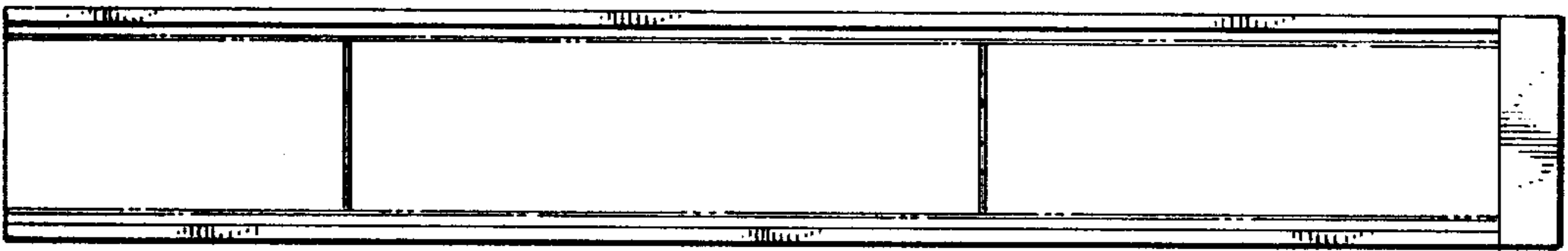


FIG. 3

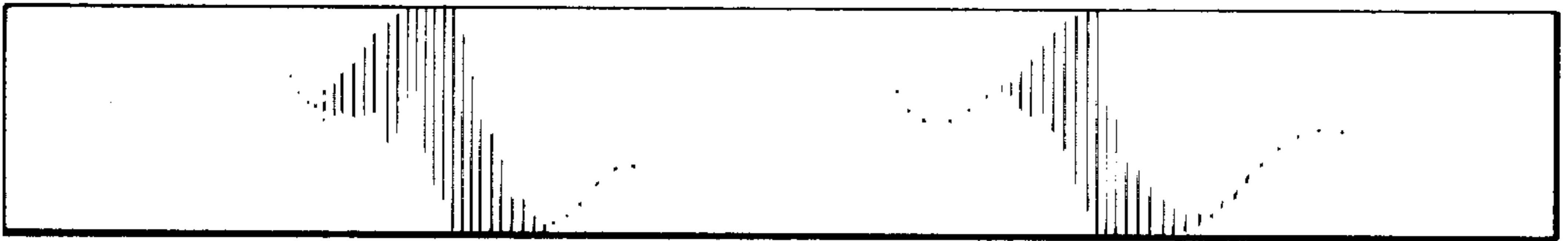


FIG. 4

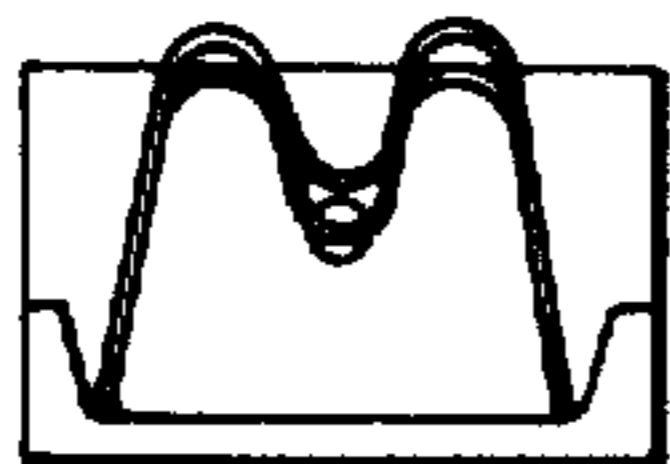


FIG. 5

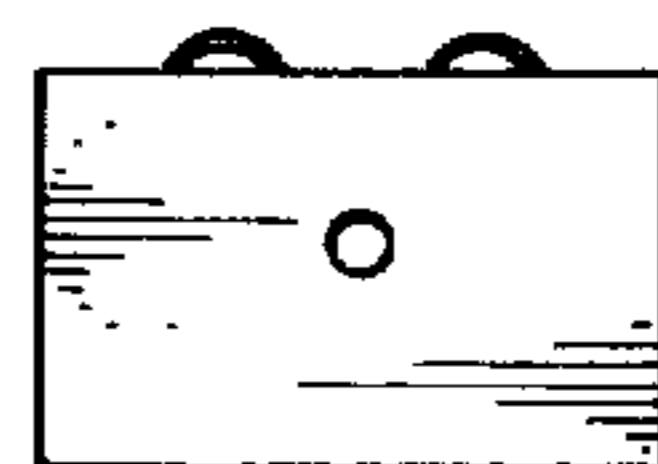


FIG. 6

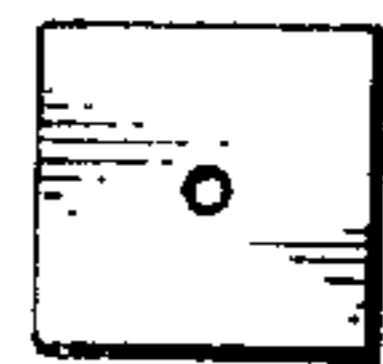


FIG. 12

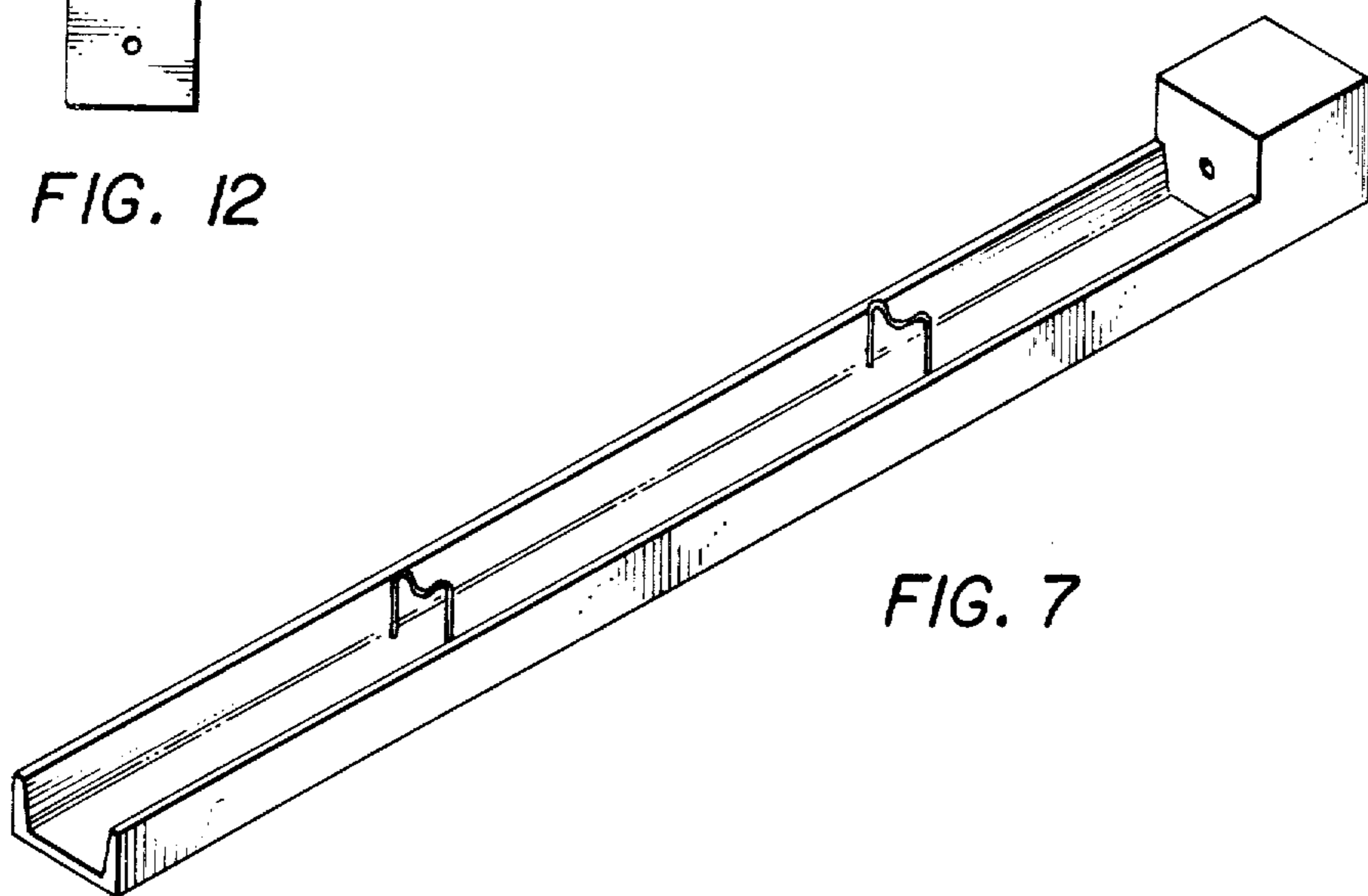


FIG. 7

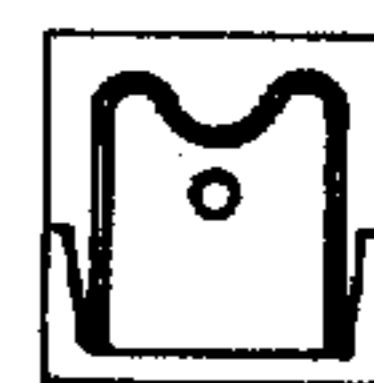


FIG. 11

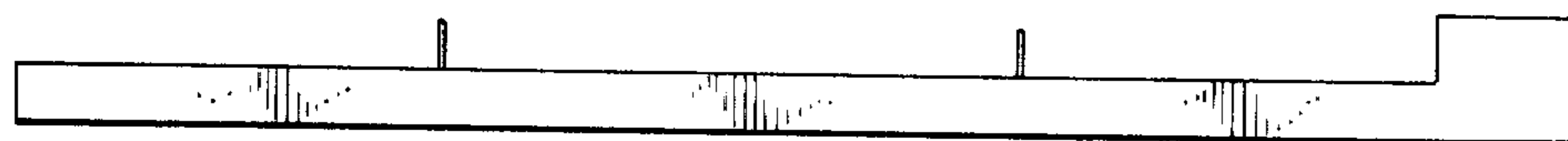


FIG. 8

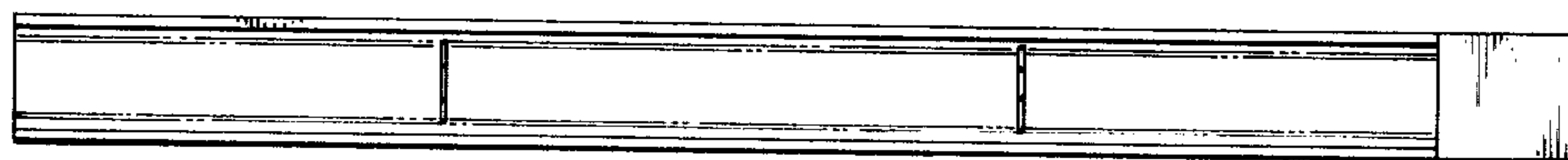


FIG. 9



FIG. 10