

[54] **MOUSE TRAP**

[76] Inventor: **Roderick L. Barker**, 2259 Cecelia Ter., San Diego, Calif. 92110

[**] Term: **14 Years**

[21] Appl. No.: **276,213**

[22] Filed: **Jun. 22, 1981**

[51] Int. Cl. **D22-06**

[52] U.S. Cl. **D22/18**

[58] Field of Search 43/58, 60, 61, 62, 63, 43/81, 81.5, 67; D22/18

1,474,096 11/1923 Sorensen 43/61

1,759,048 5/1930 Fisher 43/61

2,163,961 6/1939 Pendry 43/61

3,585,750 6/1971 Routt 43/61

Primary Examiner—A. Hugo Word
Attorney, Agent, or Firm—Ralph S. Branscomb

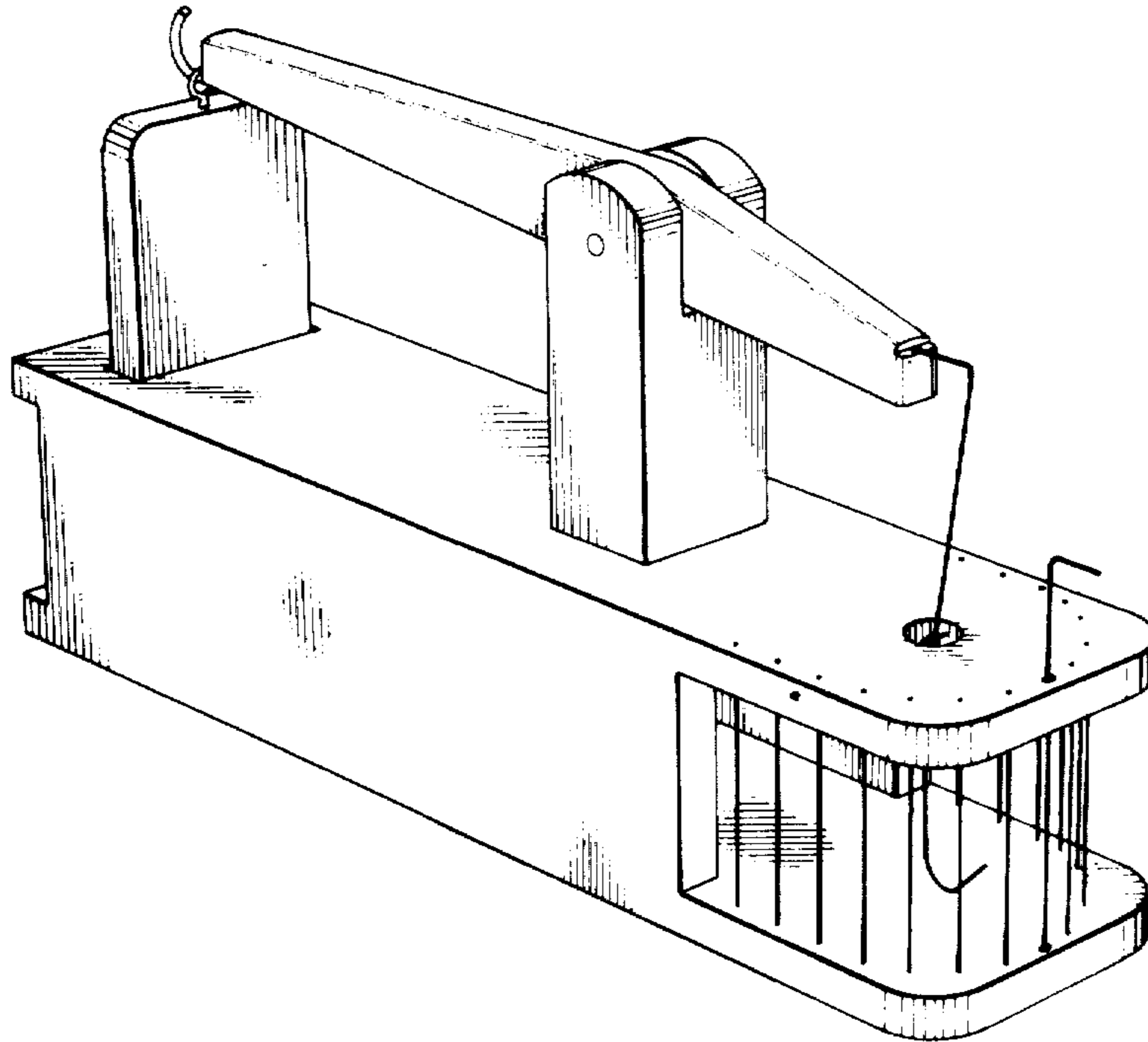
[57] **CLAIM**

The ornamental design for a mouse trap, as shown and described.

DESCRIPTION

FIG. 1 is a perspective view of a mouse trap from adjacent the front right corner;
 FIG. 2 is a perspective view of the mouse trap taken from adjacent the lower rear left corner; and
 FIG. 3 is a perspective view of the trap from the rear.

[56] **References Cited**
U.S. PATENT DOCUMENTS
 1,243,088 10/1917 Mazurek 43/61



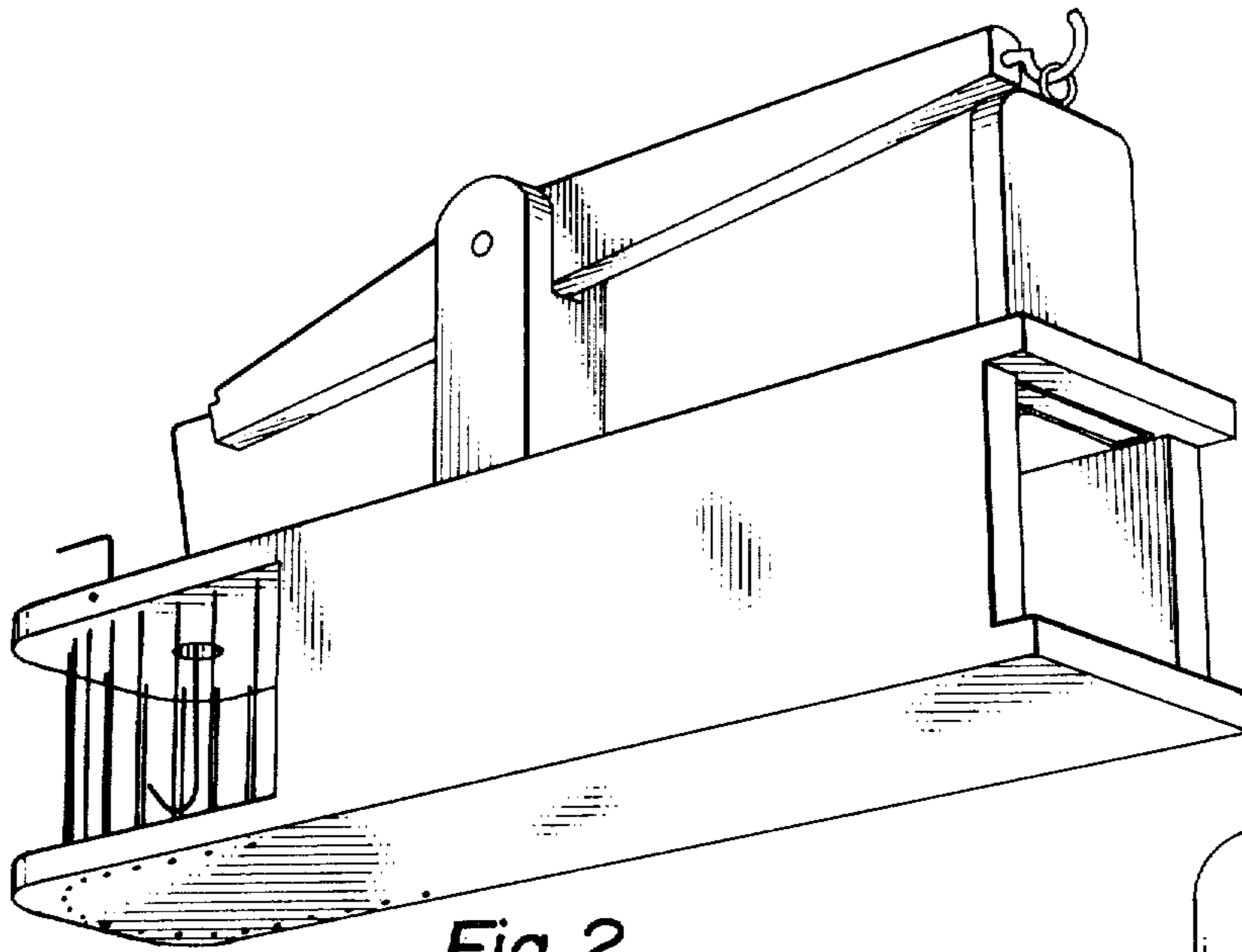


Fig. 2

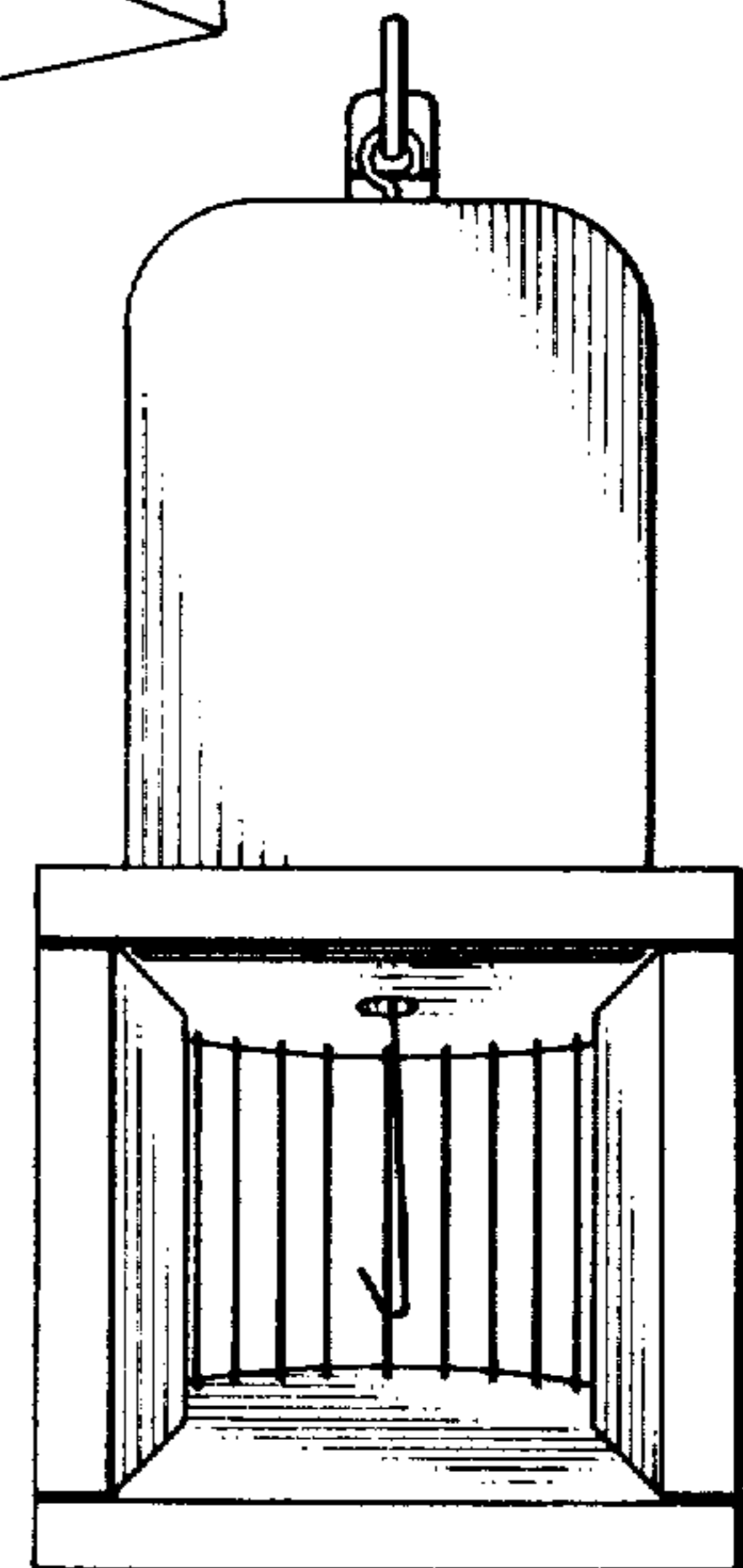


Fig. 3

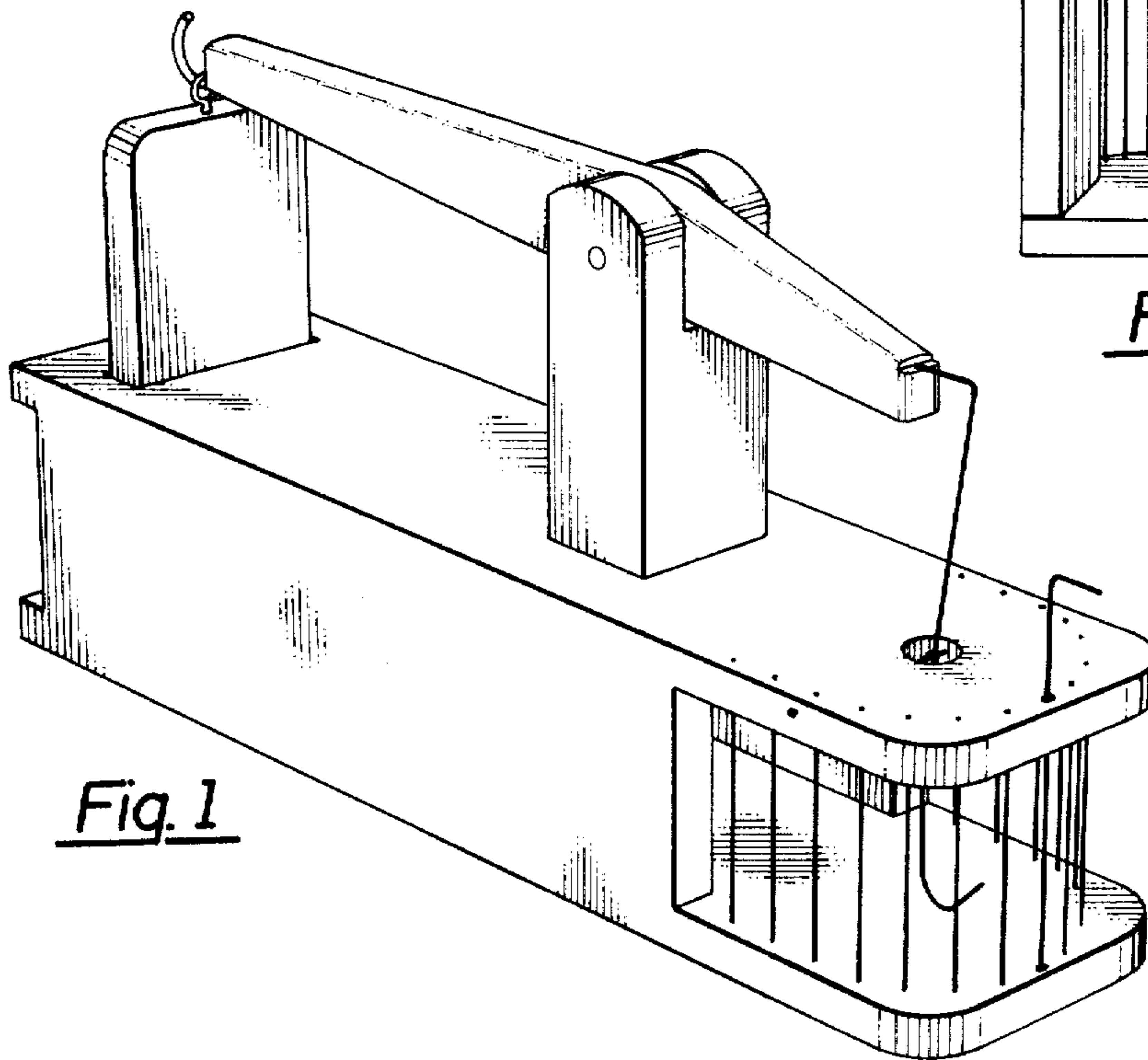


Fig. 1