

[54] TOY VEHICLE

[75] Inventor: William J. Maloney, II, East Aurora, N.Y.

[73] Assignee: The Quaker Oats Company, Chicago, Ill.

[**] Term: 14 Years

[21] Appl. No.: 104,318

[22] Filed: Dec. 17, 1979

[51] Int. Cl. D21-01

[52] U.S. Cl. D21/137

[58] Field of Search D21/76, 78, 79, 81, D21/128, 132, 134, 135, 136, 137; 46/201, 204, 206, 210, 221, 222, 223

[56] References Cited

U.S. PATENT DOCUMENTS

- D. 227,285 6/1973 Stobar D21/78
- D. 238,595 1/1976 Goldfarb et al. D21/136
- D. 253,193 10/1979 Pauly et al. D21/136

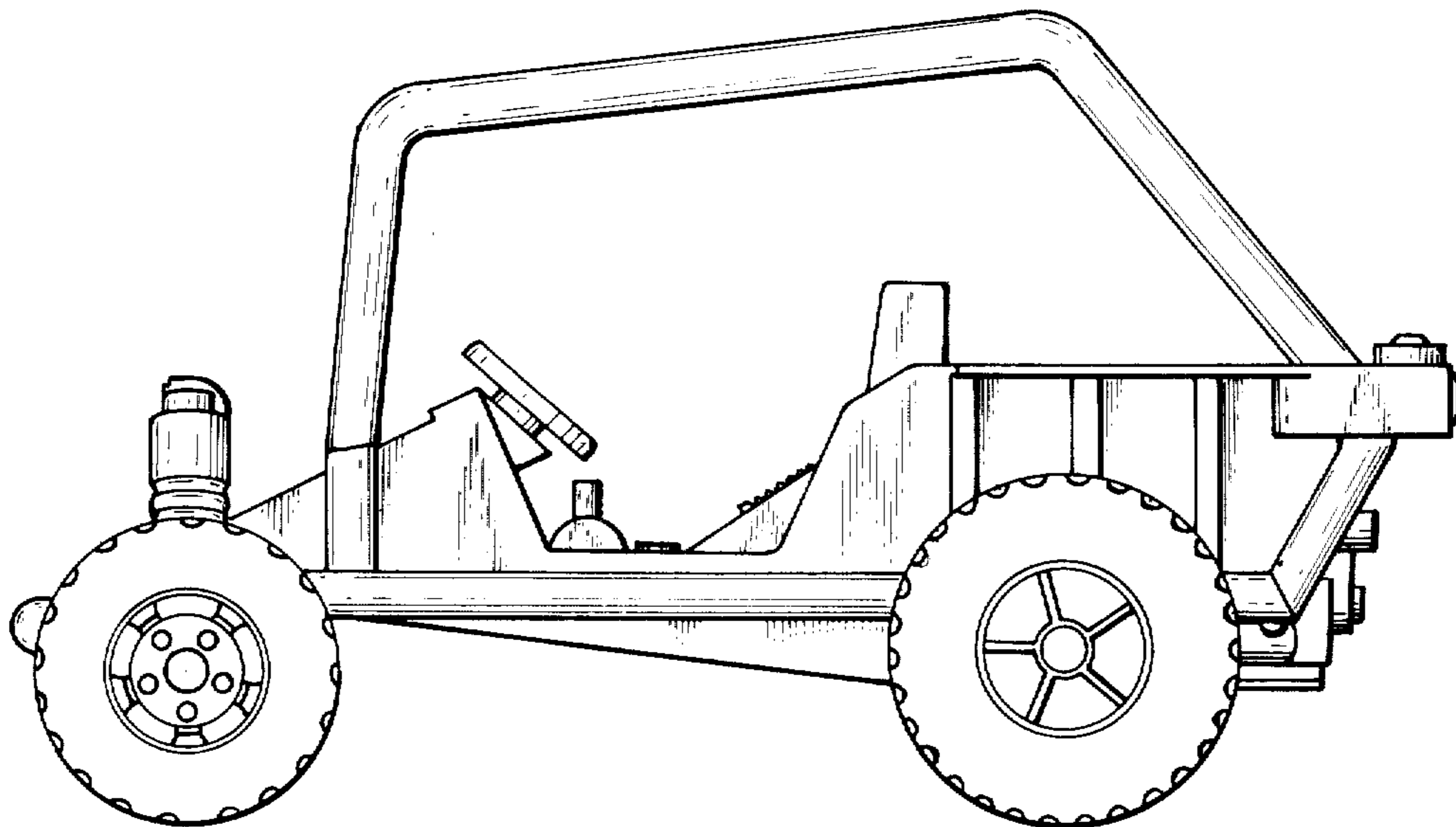
Primary Examiner—Charles A. Rademaker
Attorney, Agent, or Firm—Cumpston & Shaw

[57] CLAIM

The ornamental design for a toy vehicle, substantially as shown and described.

DESCRIPTION

FIG. 1 is a left-side elevational view of a toy vehicle showing my new design;
 FIG. 2 is a top-plan view thereof;
 FIG. 3 is a front elevational view thereof;
 FIG. 4 is a rear elevational view thereof;
 FIG. 5 is a right-side elevational view thereof; and
 FIG. 6 is a bottom-plan view thereof.



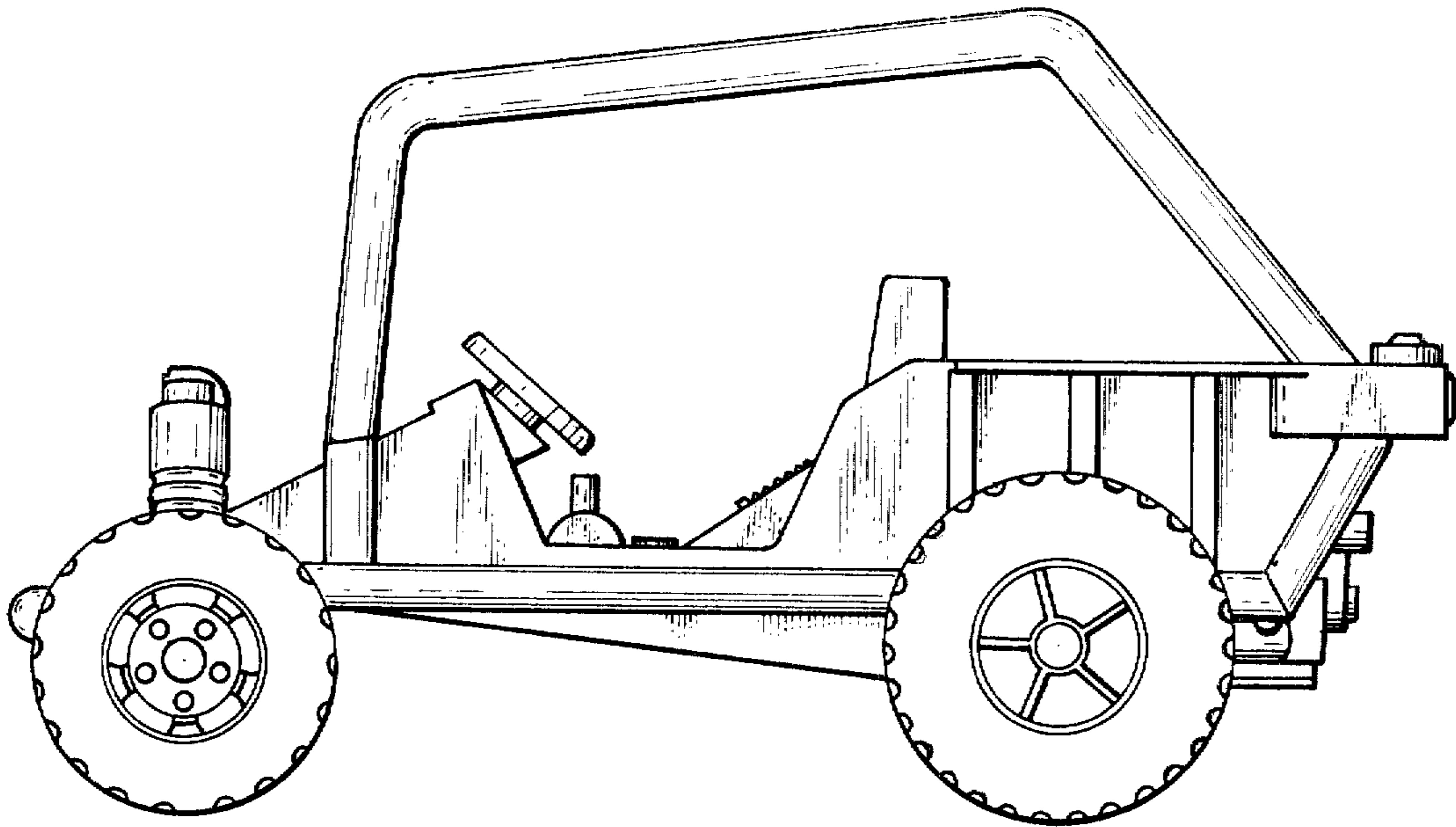


FIG. 1

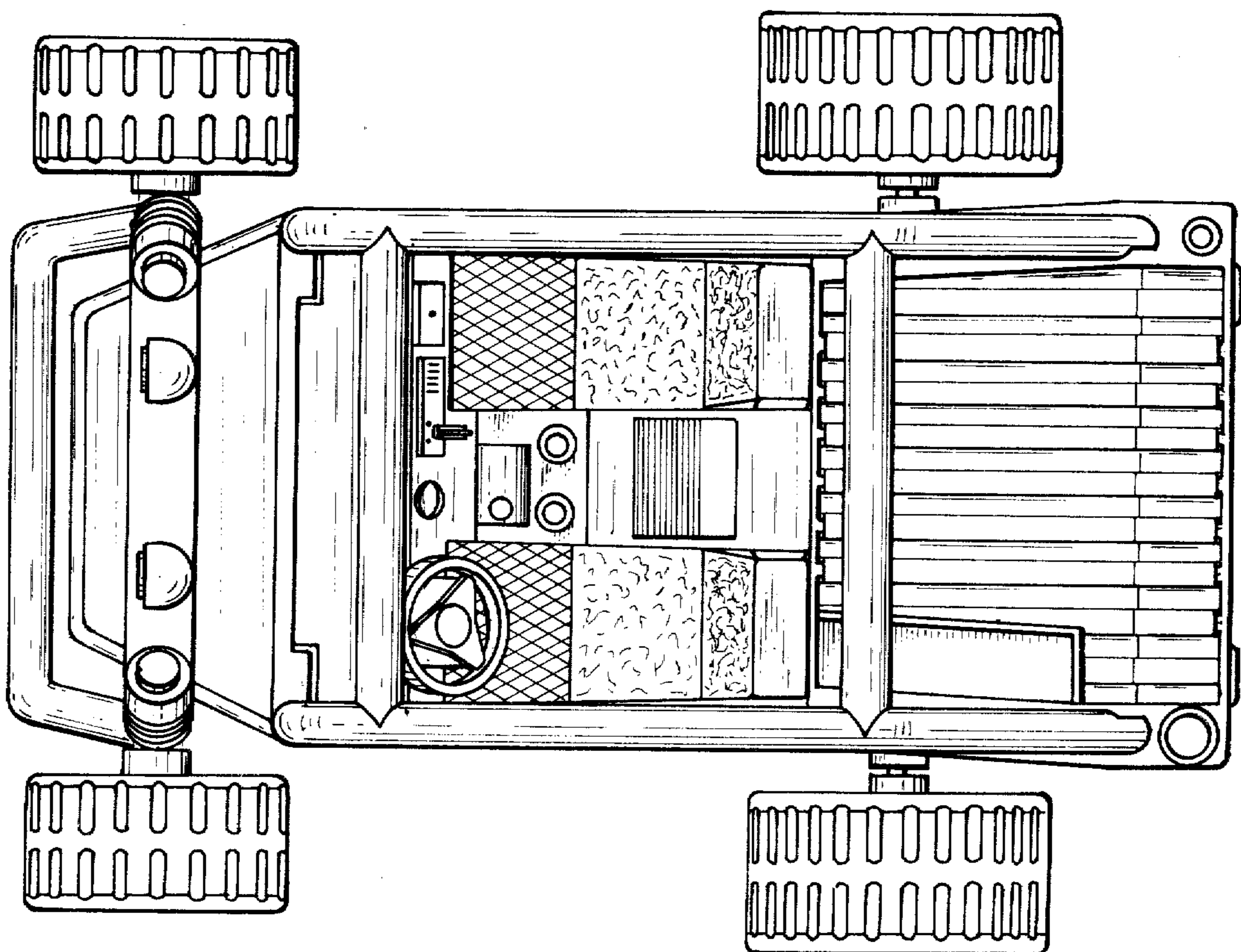


FIG. 2

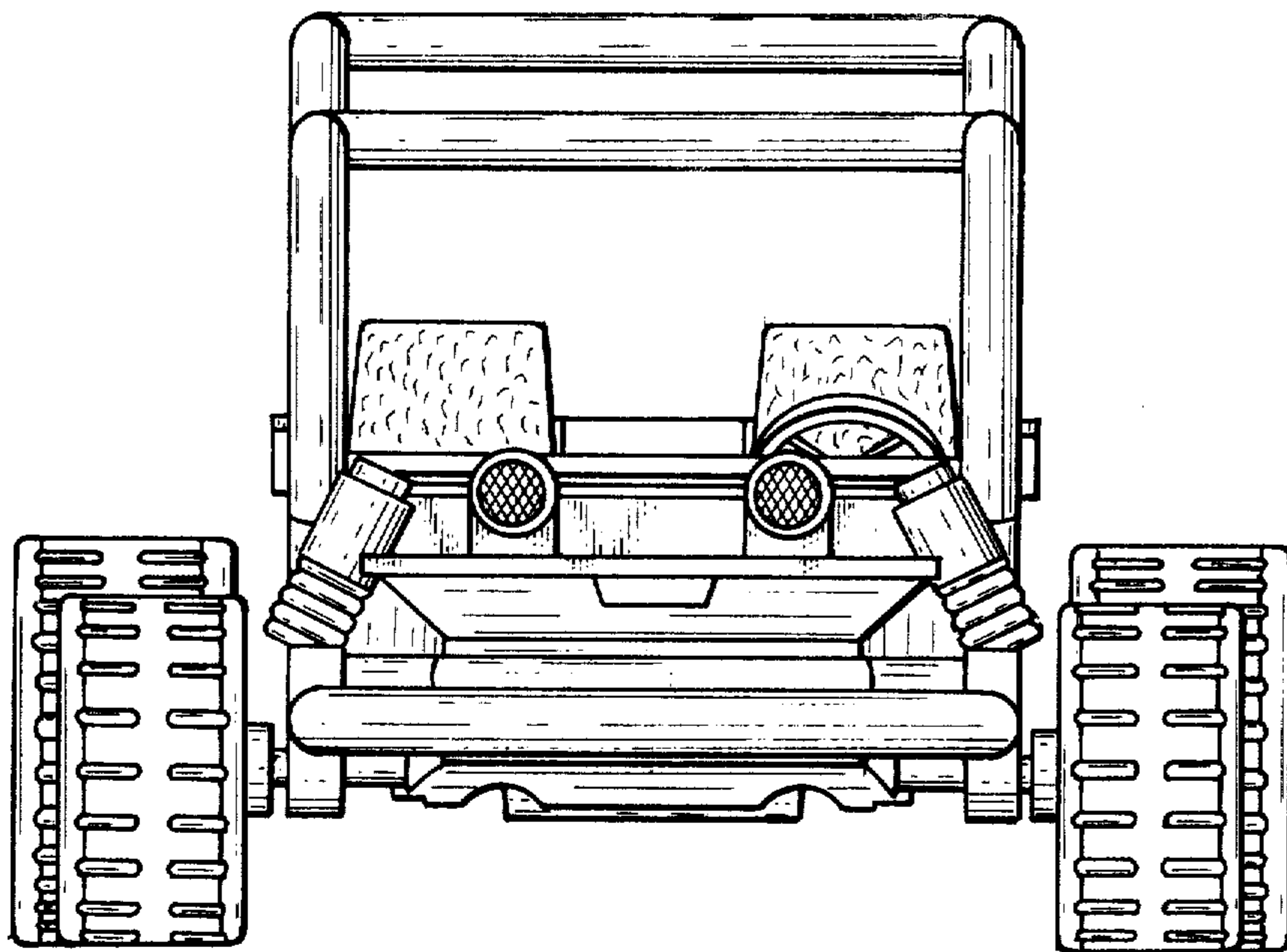


FIG. 3

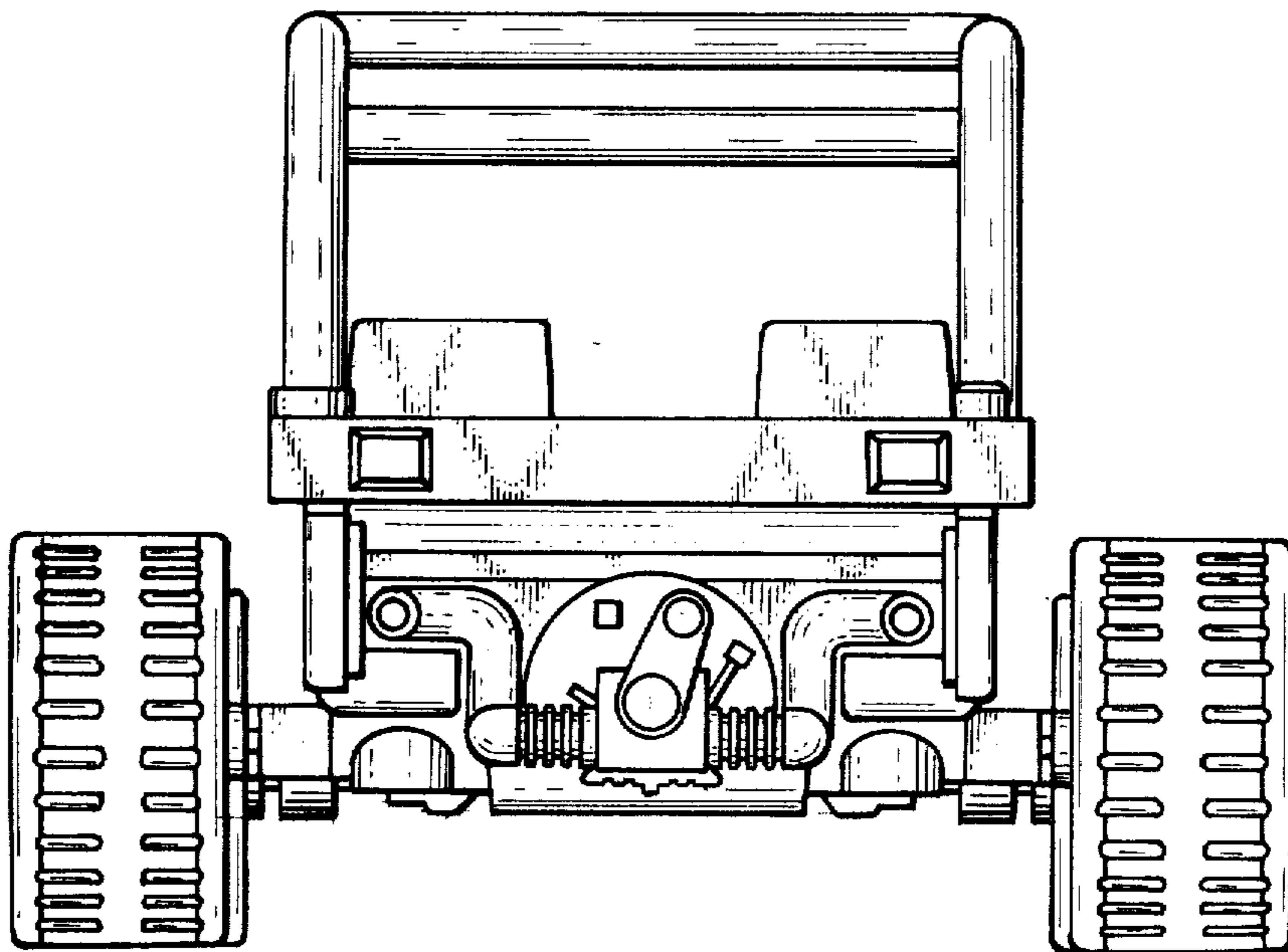


FIG. 4

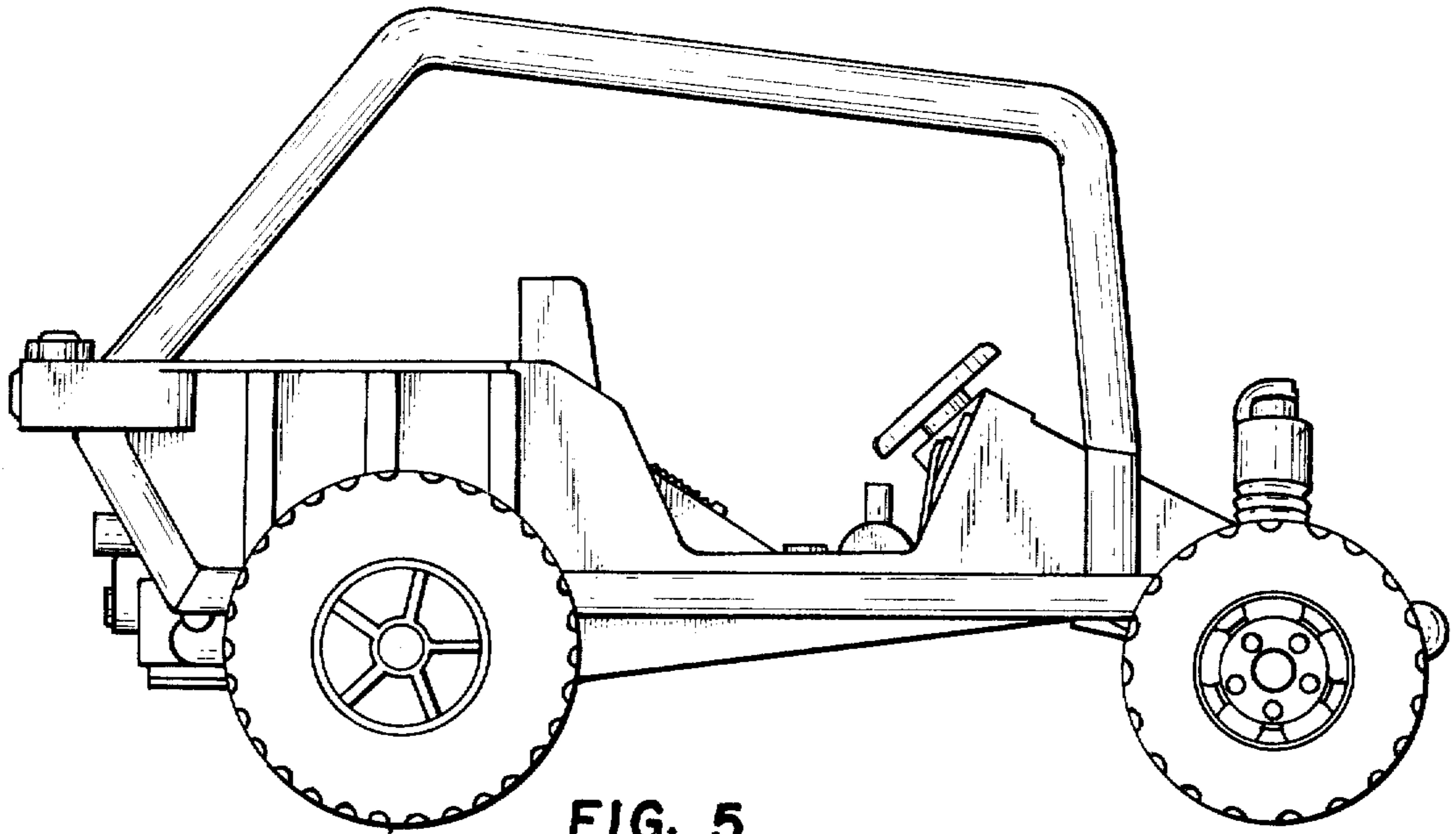


FIG. 5

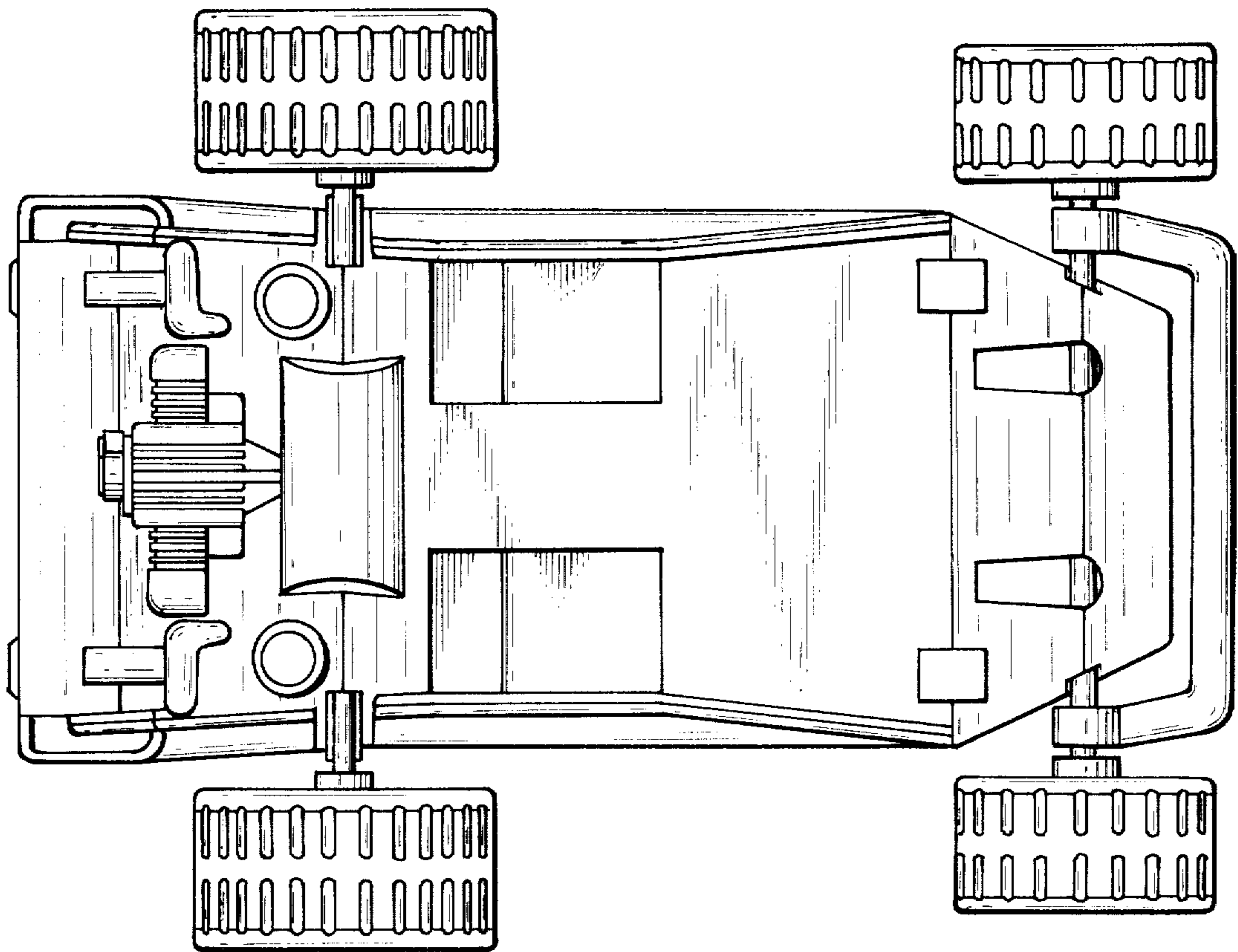


FIG. 6