

[54] TOY LOCOMOTIVE

[75] Inventor: Masami Shiraishi, Tokyo, Japan

[73] Assignee: Tomy Kogyo Co., Inc., Tokyo, Japan

[\*\*] Term: 14 Years

[21] Appl. No.: 103,483

[22] Filed: Dec. 14, 1979

[51] Int. Cl. .... D21-01

[52] U.S. Cl. .... D21/129

[58] Field of Search ..... D21/129; 46/113, 217

[56] References Cited

U.S. PATENT DOCUMENTS

D. 210,841	4/1968	Genin	.....	D21/129
D. 236,523	8/1975	Reiling	.....	D21/129
D. 257,734	12/1980	Rosenberg	.....	D21/129

OTHER PUBLICATIONS

Sears 1976 Xmas Cat., p. 544, Lower right, item 8, Toy Locomotive.

Primary Examiner—Melvin B. Feifer  
Attorney, Agent, or Firm—K. H. Boswell; Edward D. O'Brian

[57] CLAIM

The ornamental design for a toy locomotive, substantially as shown and described.

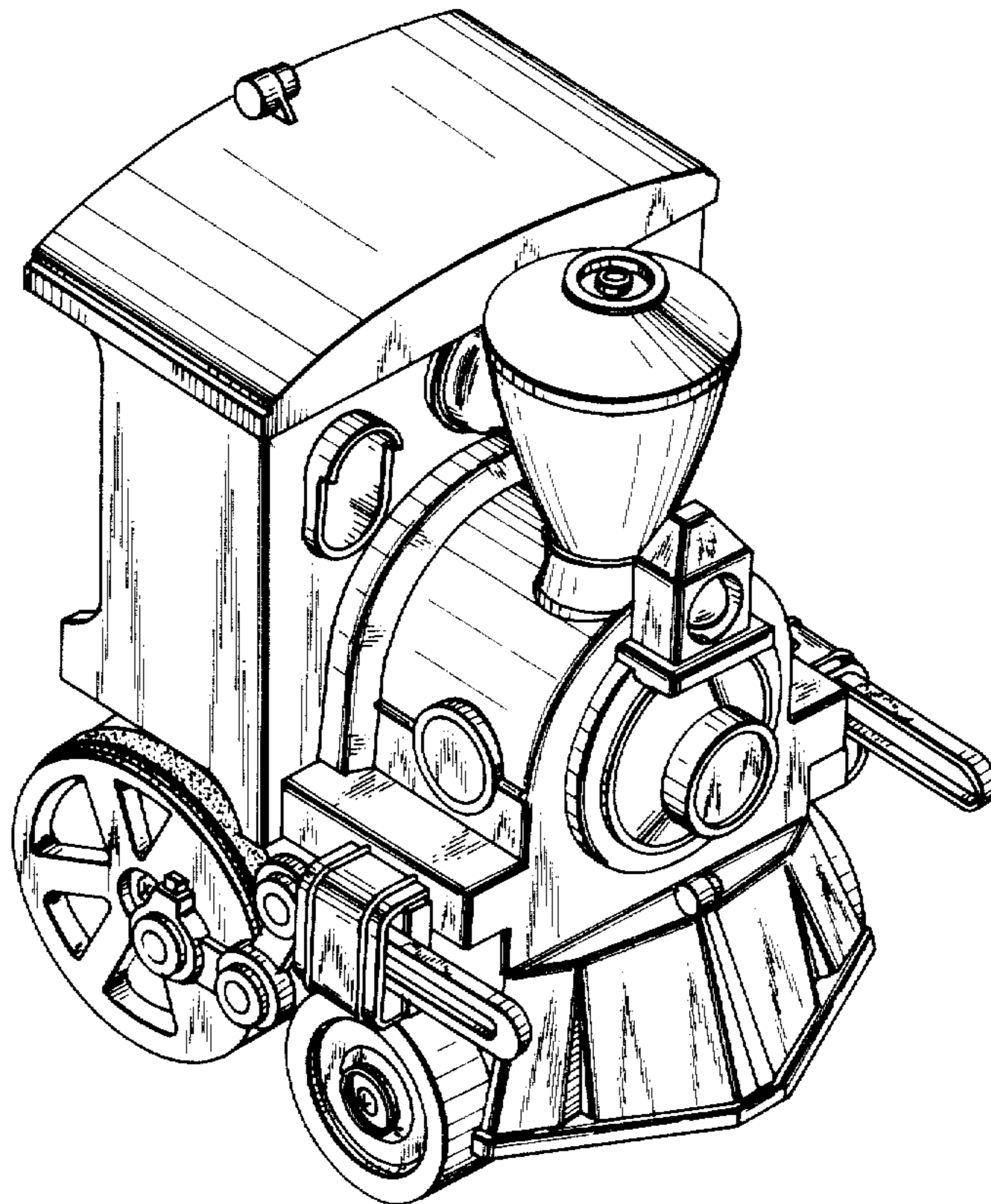
DESCRIPTION

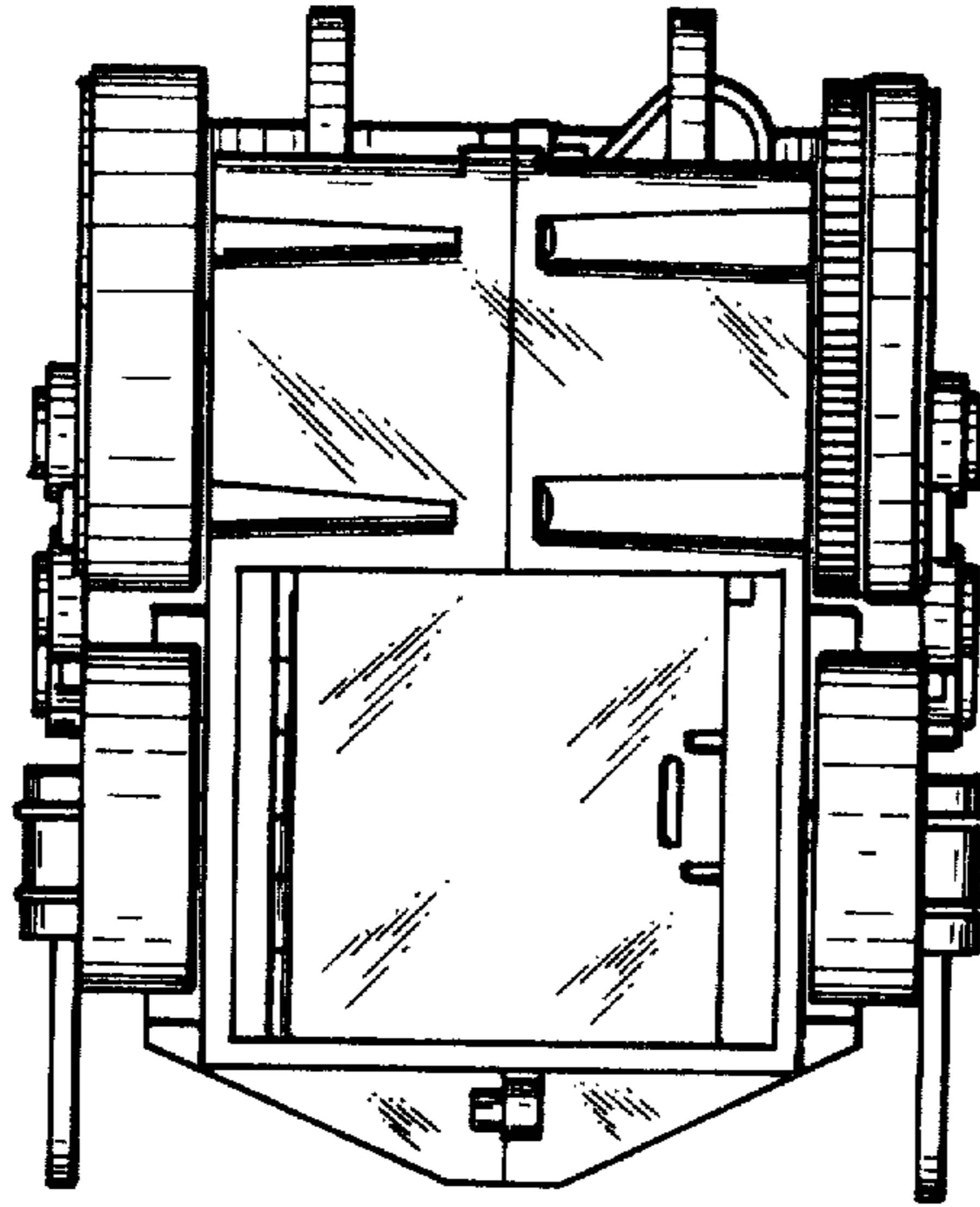
FIG. 1 is an isometric view showing the front, the top and the right hand side of the toy locomotive showing my new design;

FIG. 2 is a side elevational view showing the left hand side of the toy locomotive;

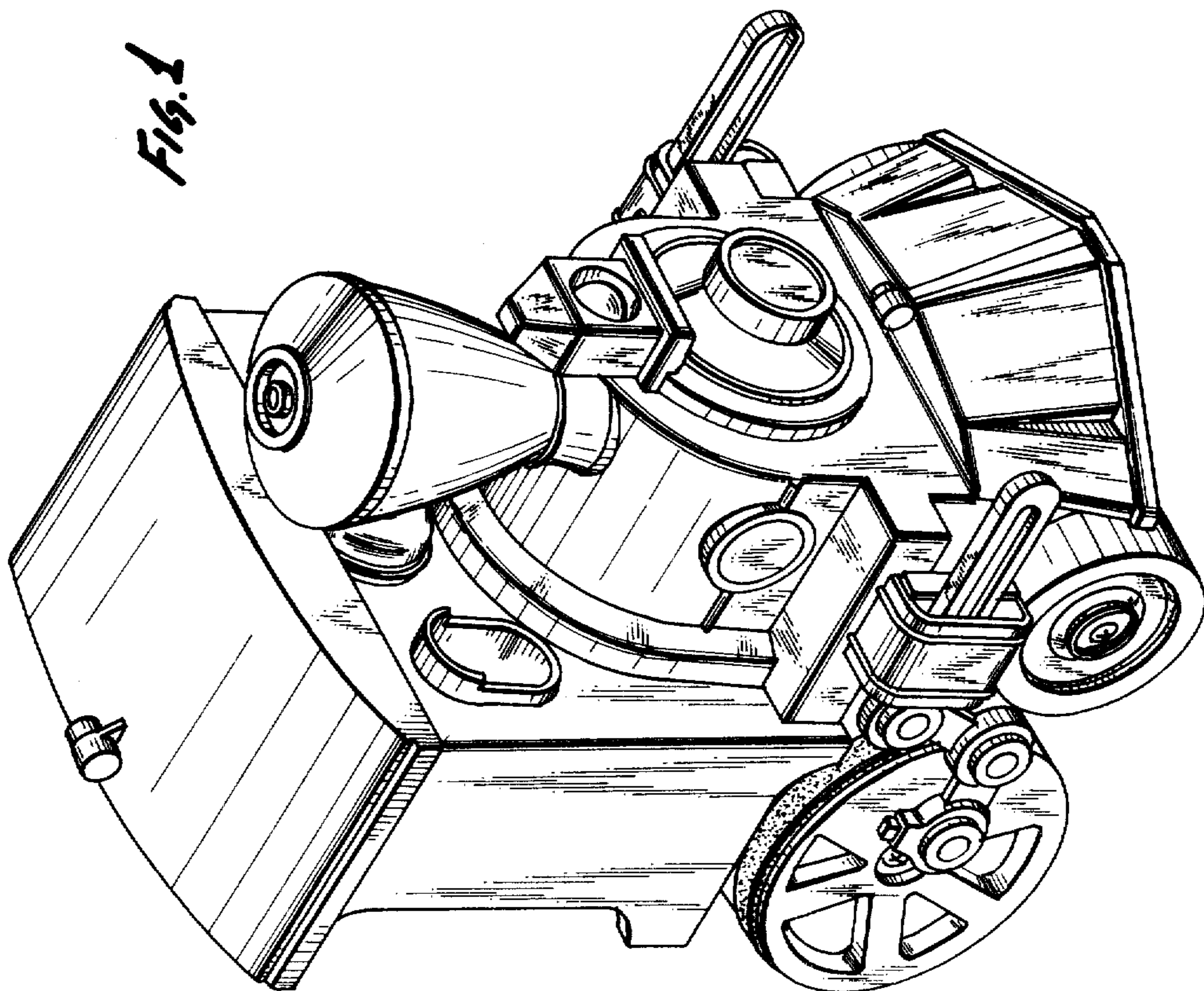
FIG. 3 is an end elevational view showing the rear of the toy locomotive; and

FIG. 4 is a bottom plan view showing the bottom of the toy locomotive.

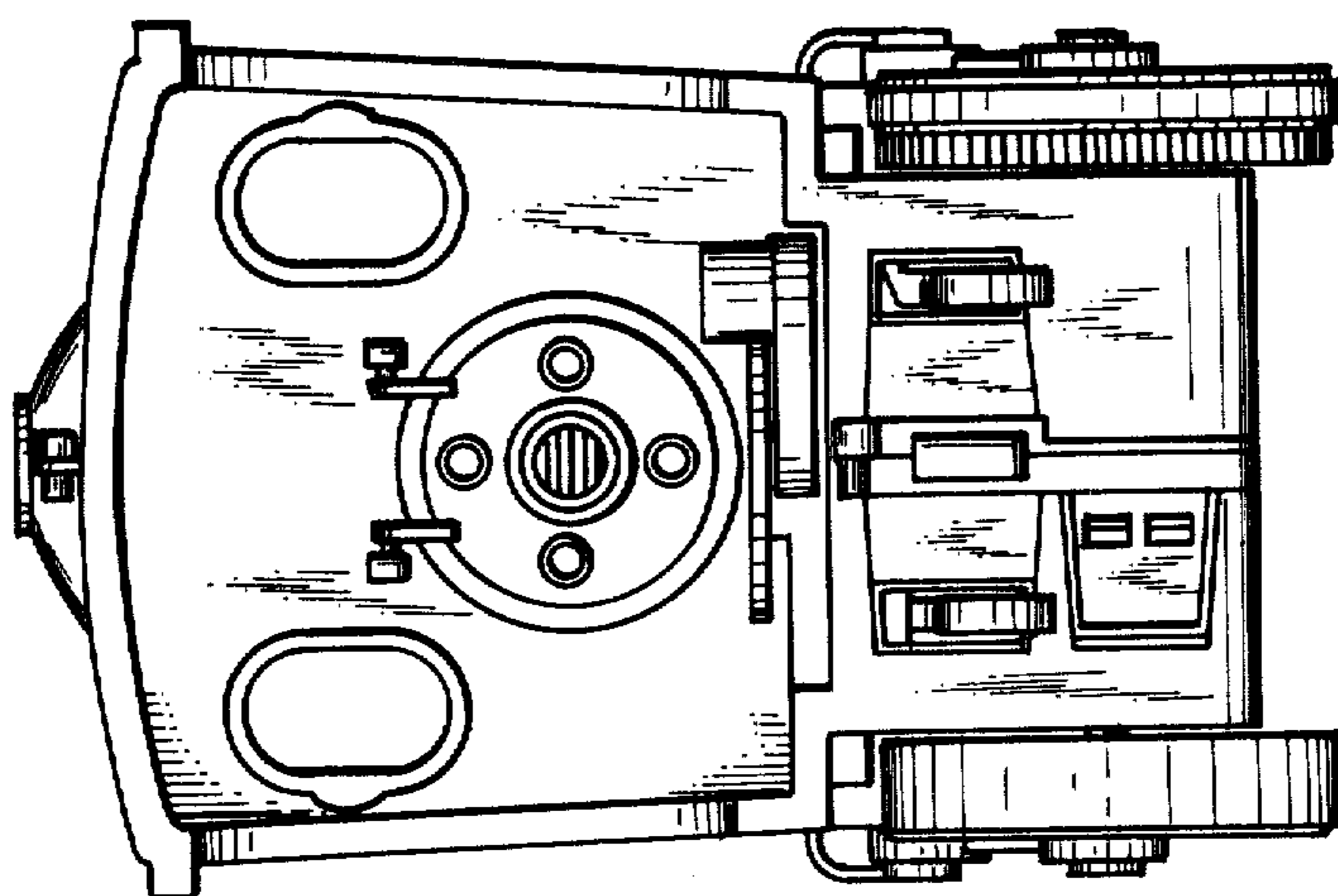




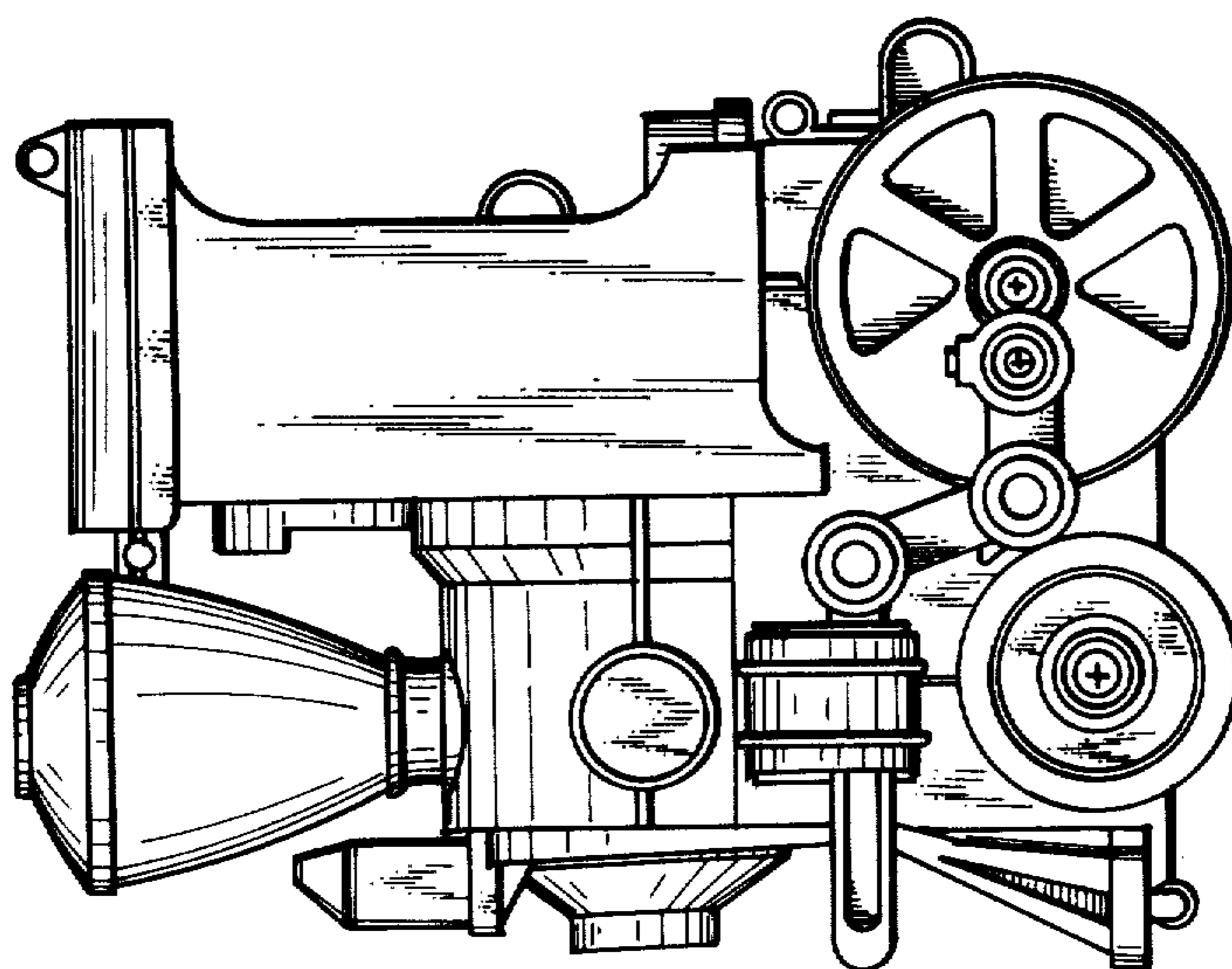
*Fig. 4*



*Fig. 1*



*Fig. 3*



*Fig. 2*