

[54] TOY PINBALL MACHINE

[75] Inventor: Tetsuo Ohkado, Tokyo, Japan

[73] Assignee: Tomy Kogyo Co., Inc., Tokyo, Japan

[**] Term: 14 Years

[21] Appl. No.: 114,189

[22] Filed: Jan. 22, 1980

[51] Int. Cl. D21-01

[52] U.S. Cl. D21/10

[58] Field of Search D21/10, 9, 8;
273/121 R, 121 A

[56] References Cited

U.S. PATENT DOCUMENTS

- D. 239,638 4/1976 Cecchetti D21/10
- D. 249,732 9/1978 Patterson D21/10
- D. 252,999 9/1979 Satten D21/9

Primary Examiner—Melvin B. Feifer
Attorney, Agent, or Firm—K. H. Boswell; Edward D. O'Brian

[57] CLAIM

The ornamental design for a toy pinball machine, substantially as shown and described.

DESCRIPTION

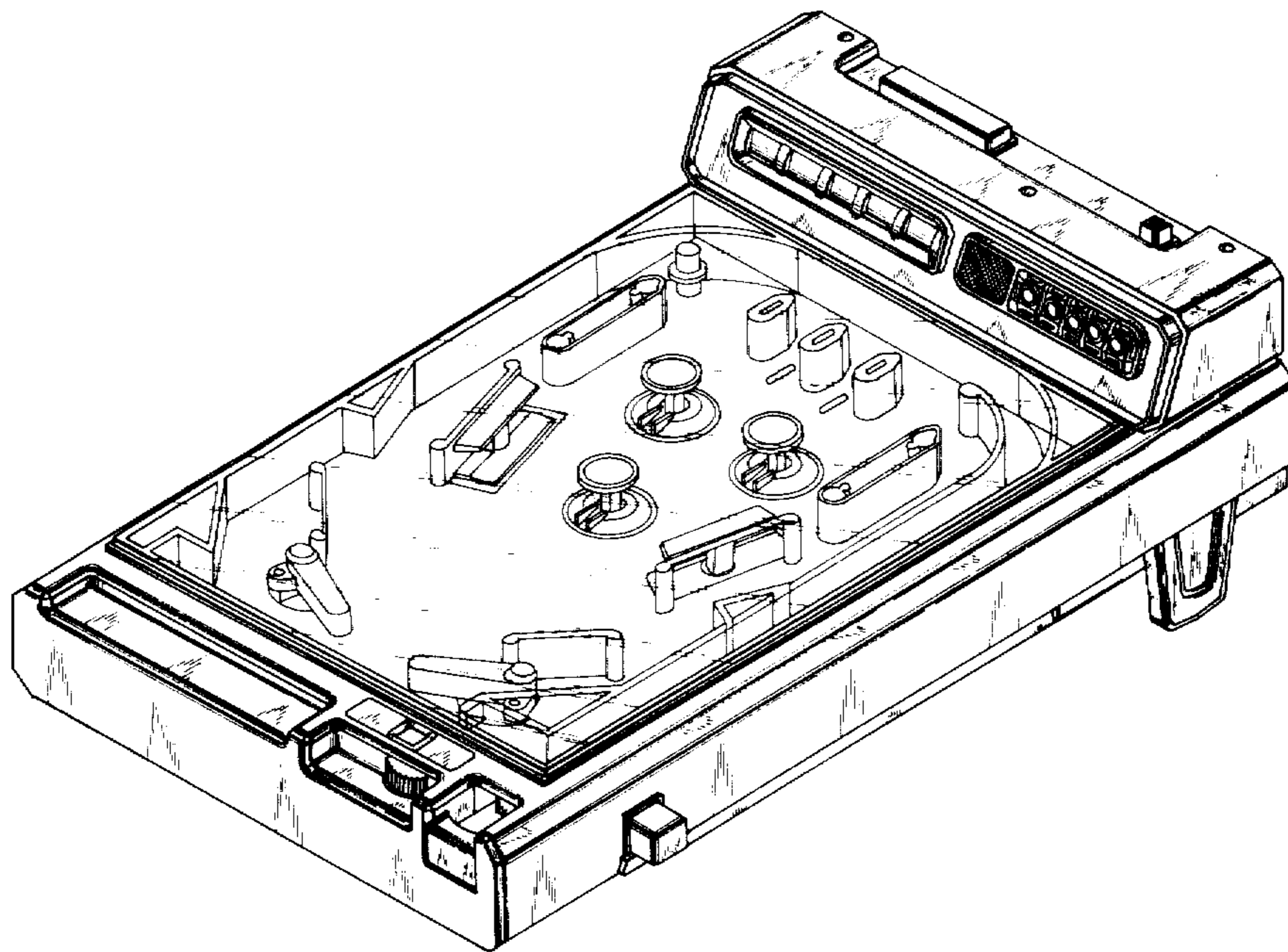
FIG. 1 is an isometric view showing the top, the right hand side and the front end of the toy pinball machine showing my new design;

FIG. 2 is a top plan view of the pinball machine shown in FIG. 1;

FIG. 3 is a side elevational view showing the left hand side of the pinball machine shown in FIG. 1;

FIG. 4 is an end elevational view showing the back end of the pinball machine of FIG. 1; and

FIG. 5 is a bottom plan view showing the bottom of the pinball machine shown in FIG. 1.



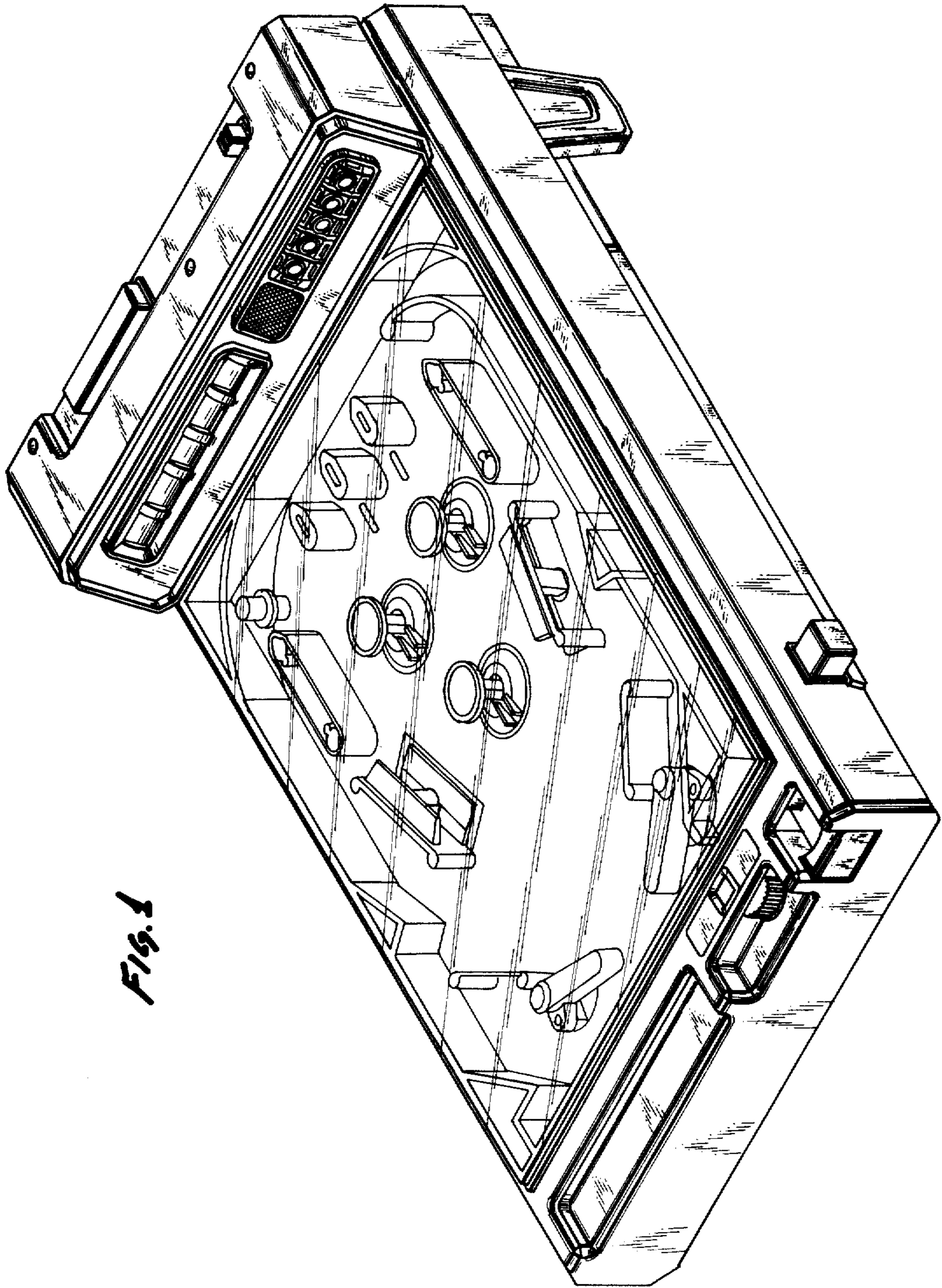


FIG. 1

FIG. 2

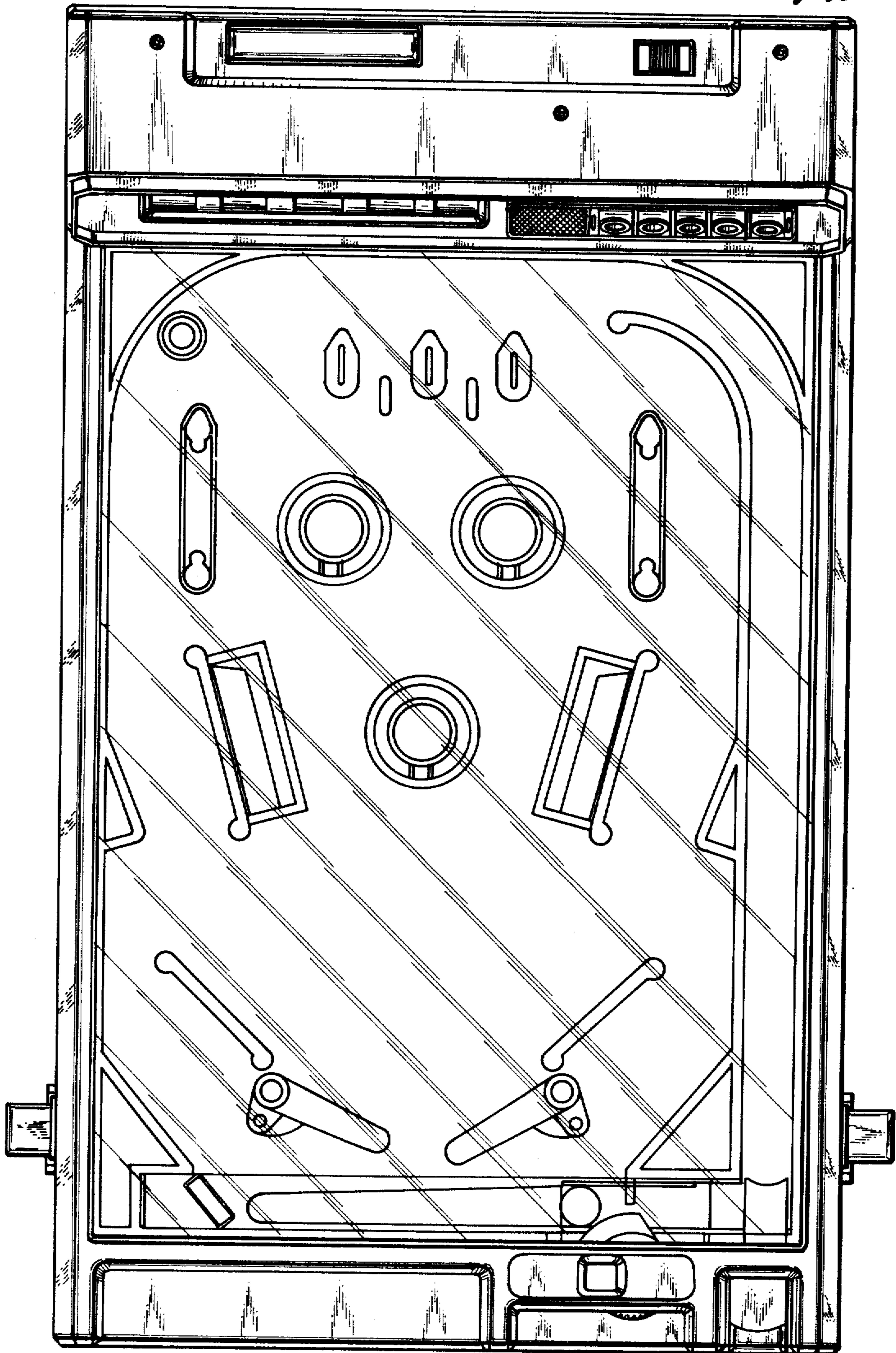


Fig. 4

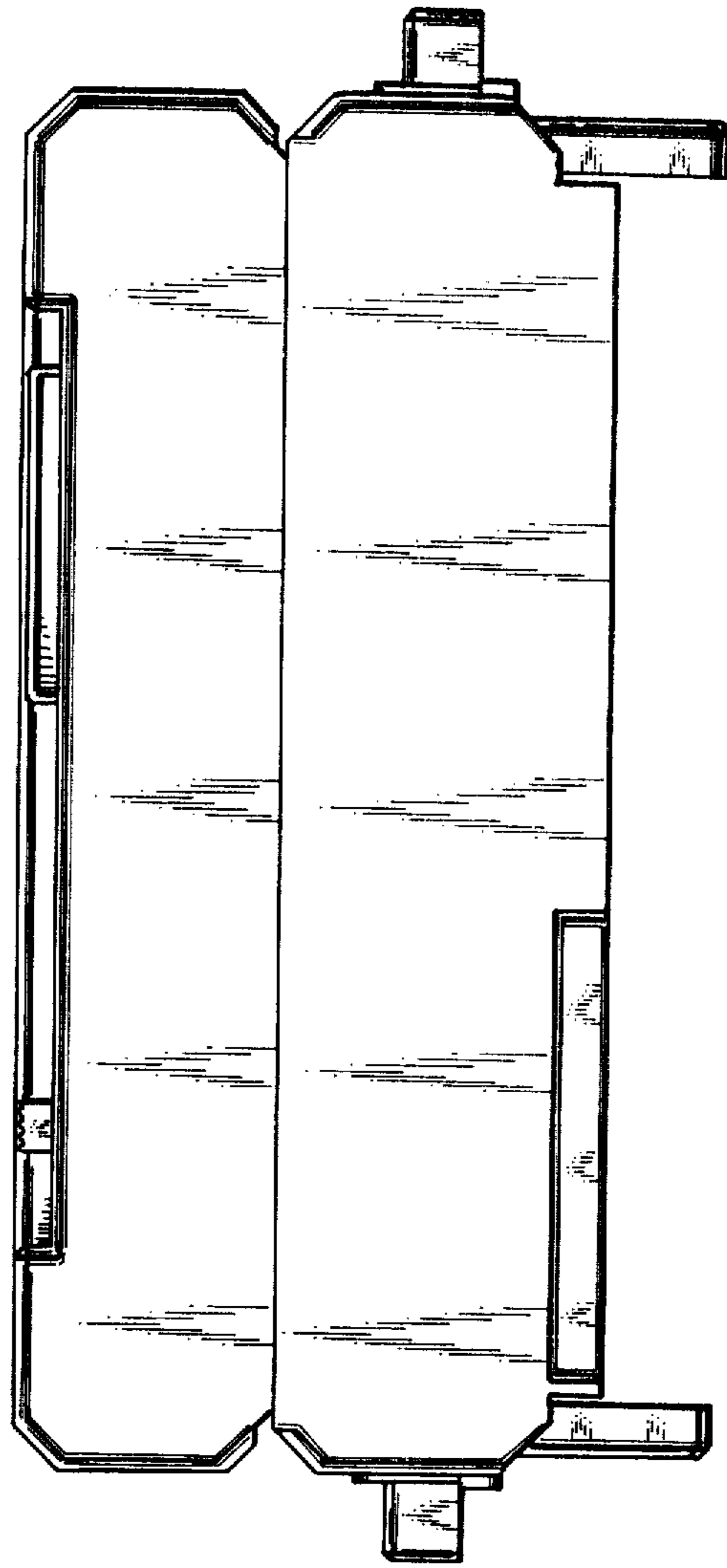


Fig. 3

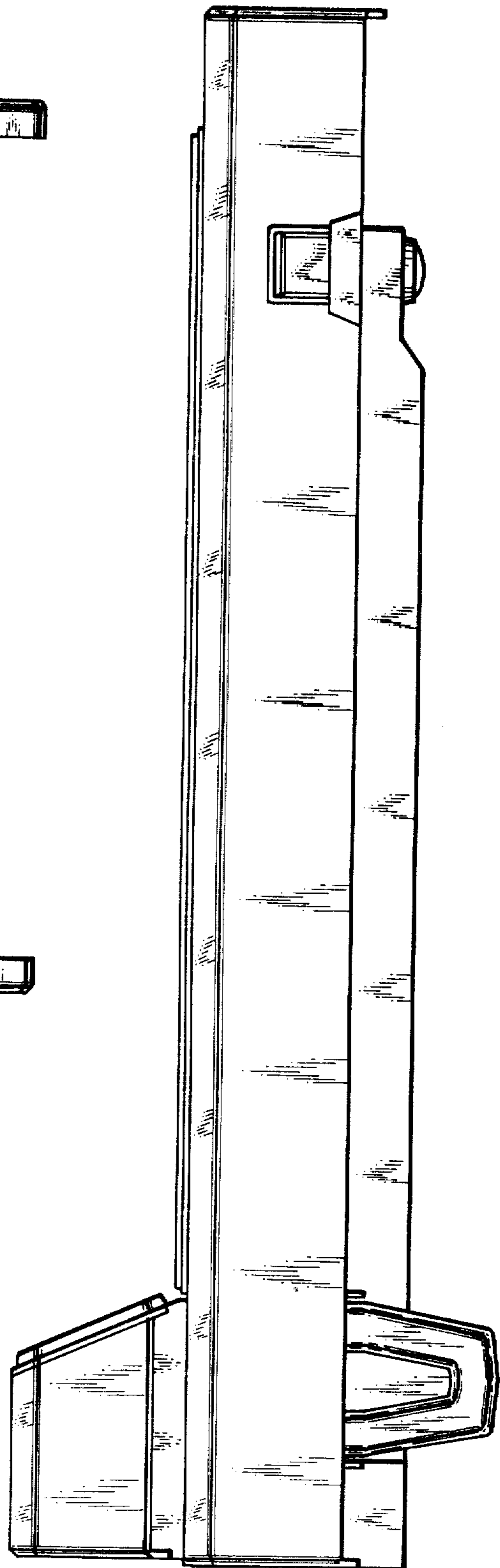


FIG. 5

