

[54] **KEYBOARD STAND**

[76] Inventor: **Darrell A. Schoenig**, 432 Clover La.,
Ft. Collins, Colo. 80521

[*] Notice: The portion of the term of this patent
subsequent to Jun. 16, 1995, has been
disclaimed.

[**] Term: **14 Years**

[21] Appl. No.: **155,071**

[22] Filed: **Jun. 2, 1980**

[51] Int. Cl. **D17-01; D17-99;**
D6-04

[52] U.S. Cl. **D17/9; D6/186**

[58] Field of Search **D17/9, 1, 2, 5, 6;**
D14/38; D6/85, 194, 196, 18, 186; 248/165,
176, 460; 84/327, 329; 211/182

[56] **References Cited**

U.S. PATENT DOCUMENTS

D. 251,820 5/1979 Stark D6/85
D. 257,987 1/1981 Schoenig D17/9
D. 259,562 6/1981 Schoenig D14/38
1,256,279 2/1918 Wanamaker .

Primary Examiner—Lester L. Lee
Attorney, Agent, or Firm—Hugh H. Drake

[57] **CLAIM**

The ornamental design for a keyboard stand, as shown
and described.

DESCRIPTION

FIG. 1 is an isometric view of a keyboard stand in ac-
cordance with my new design;
FIG. 2 is an isometric view illustrating a different rela-
tive positioning of various components thereof;
FIG. 3 is a front elevational view thereof;
FIG. 4 is a rear elevational view thereof;
FIG. 5 is a side elevational view thereof, the other side
constituting a mirror image;
FIG. 6 is a top plan view thereof; and
FIG. 7 is a bottom plan view thereof.



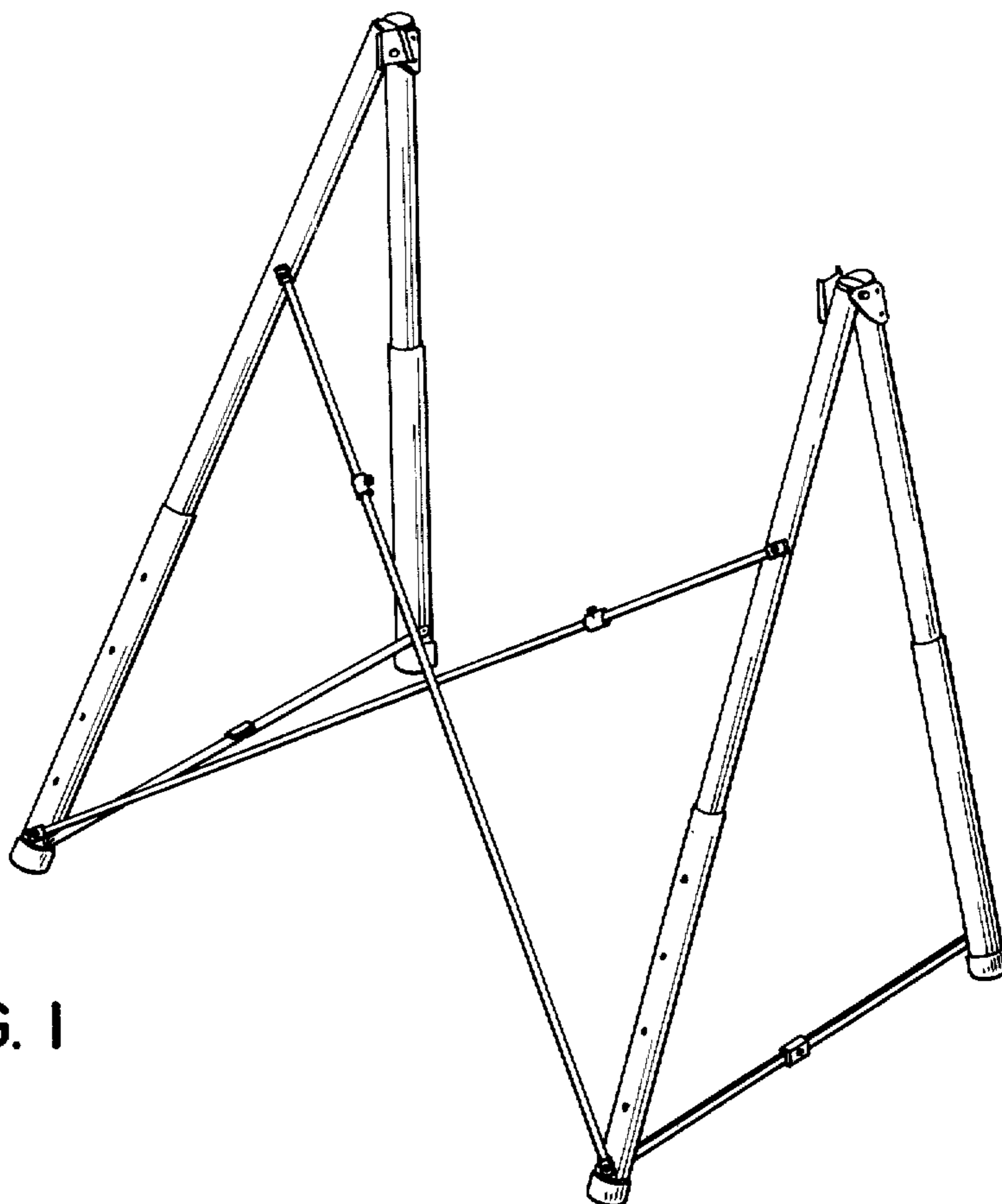


FIG. 1

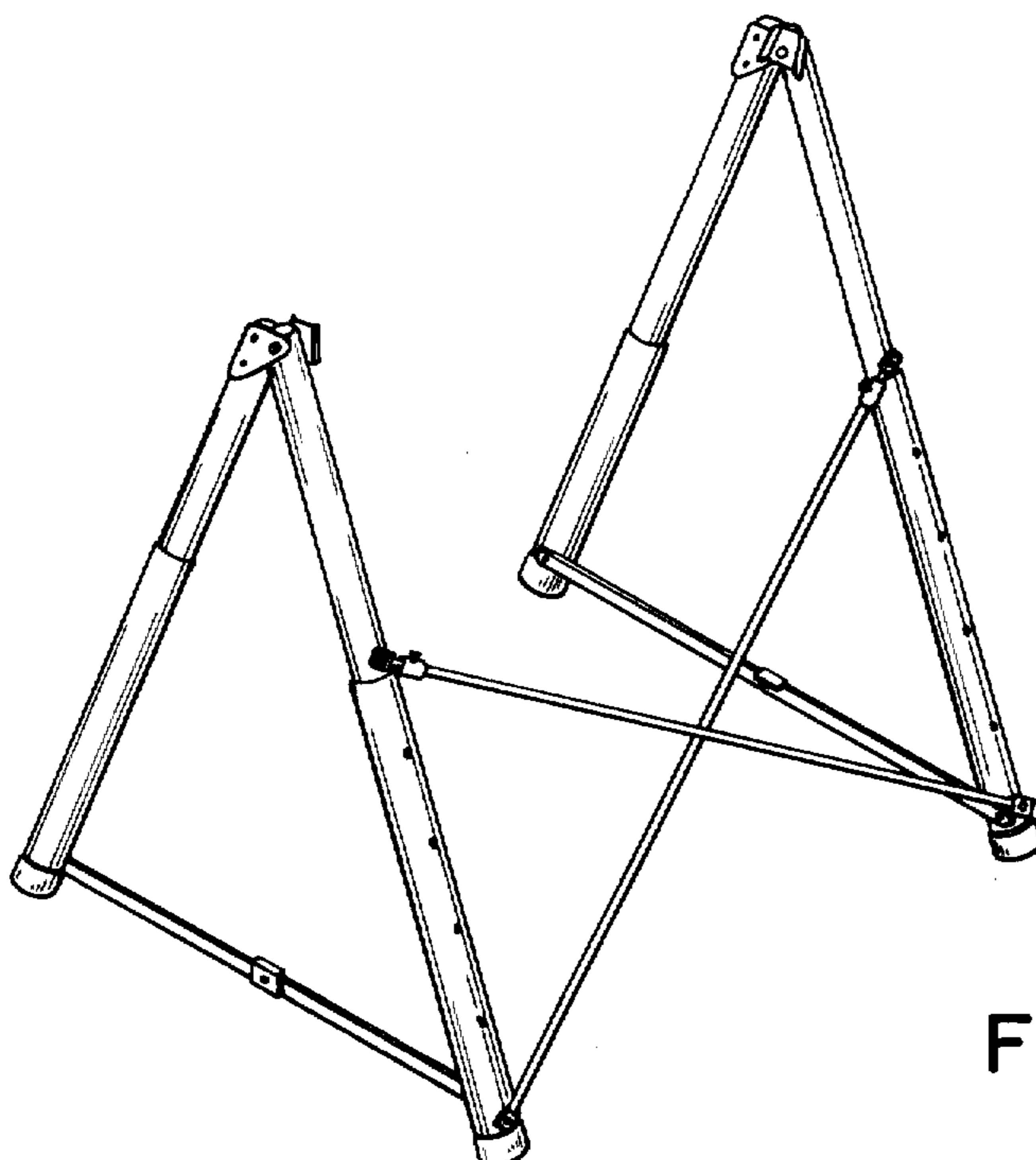


FIG. 2

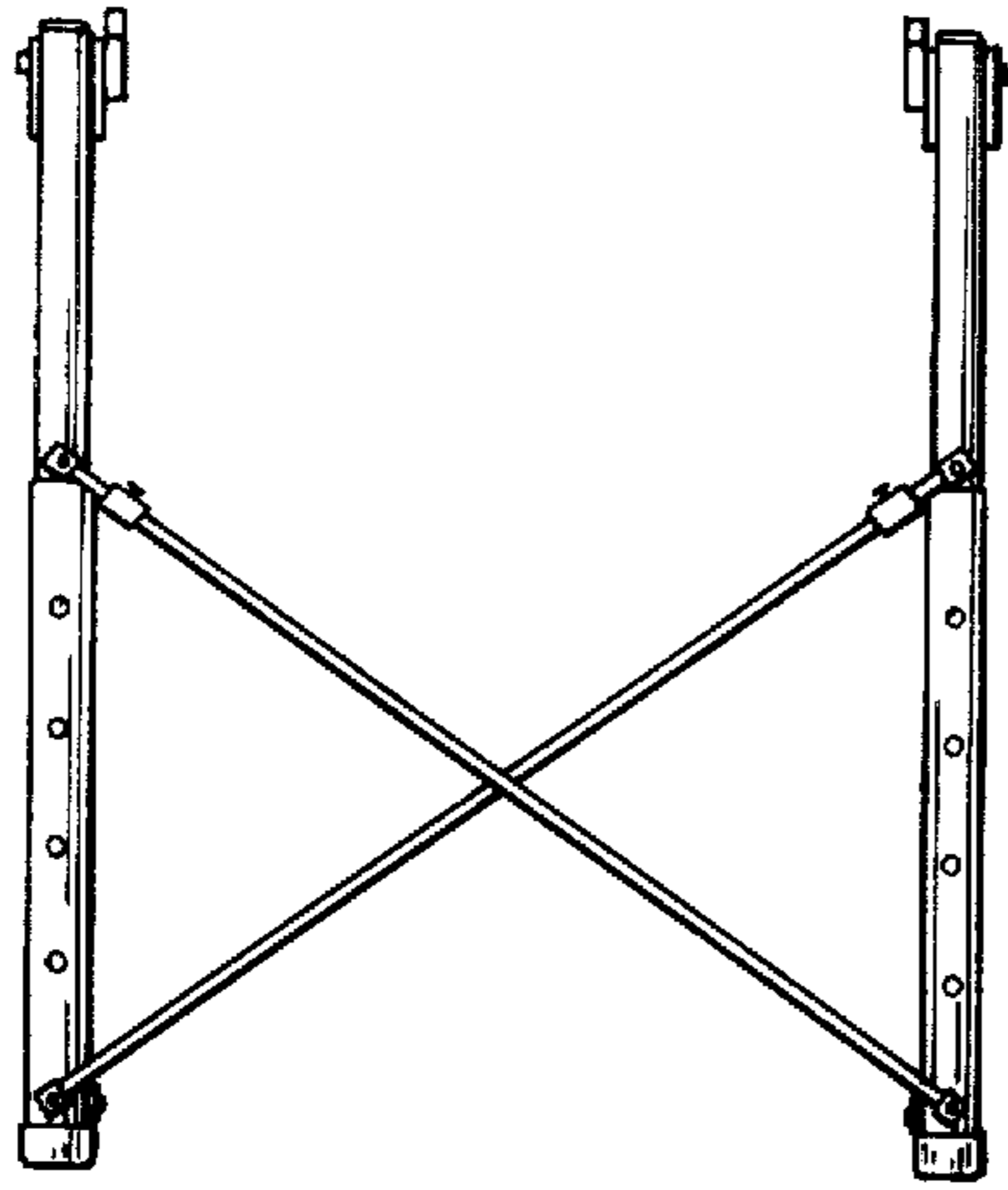


FIG. 3

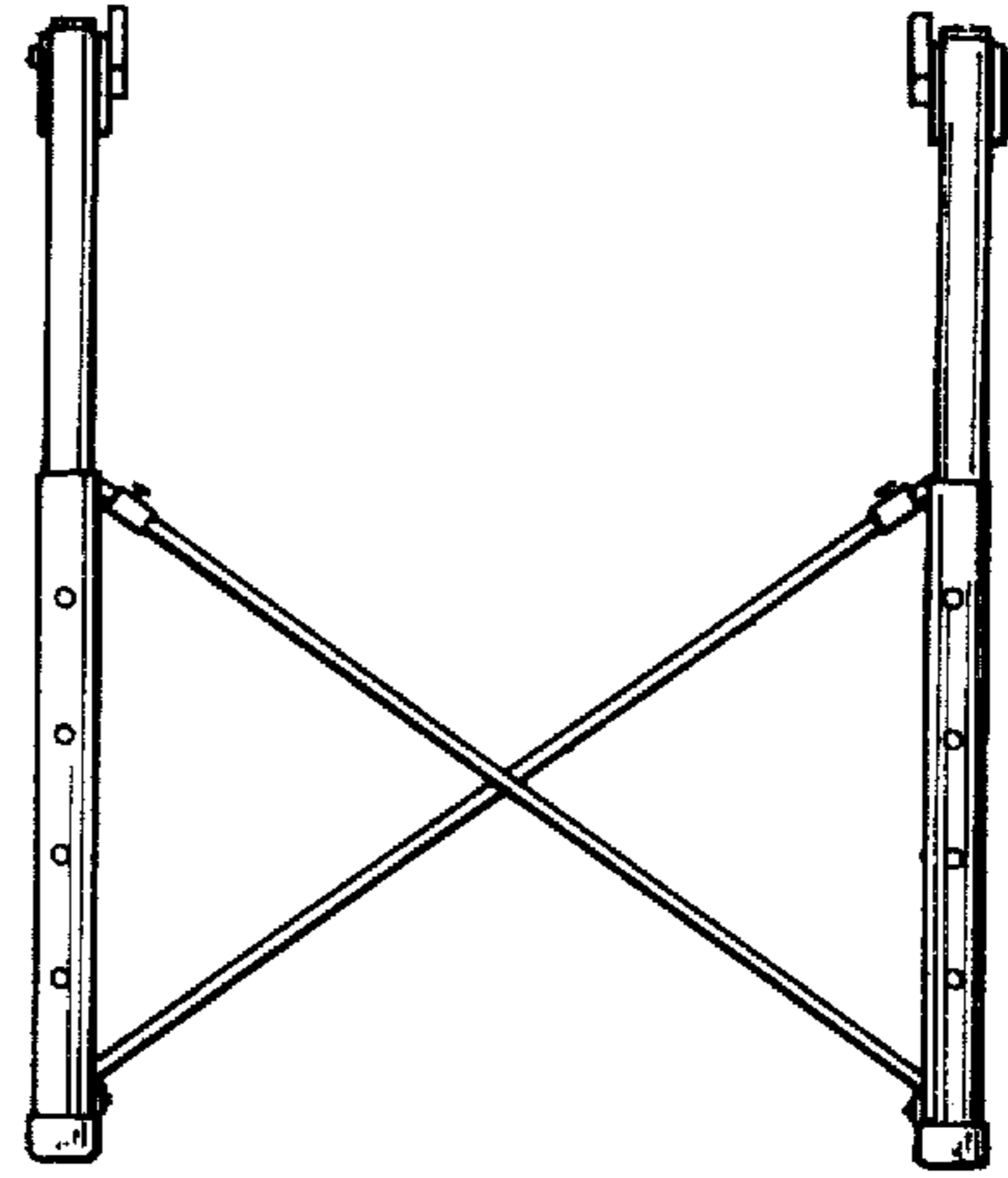


FIG. 4

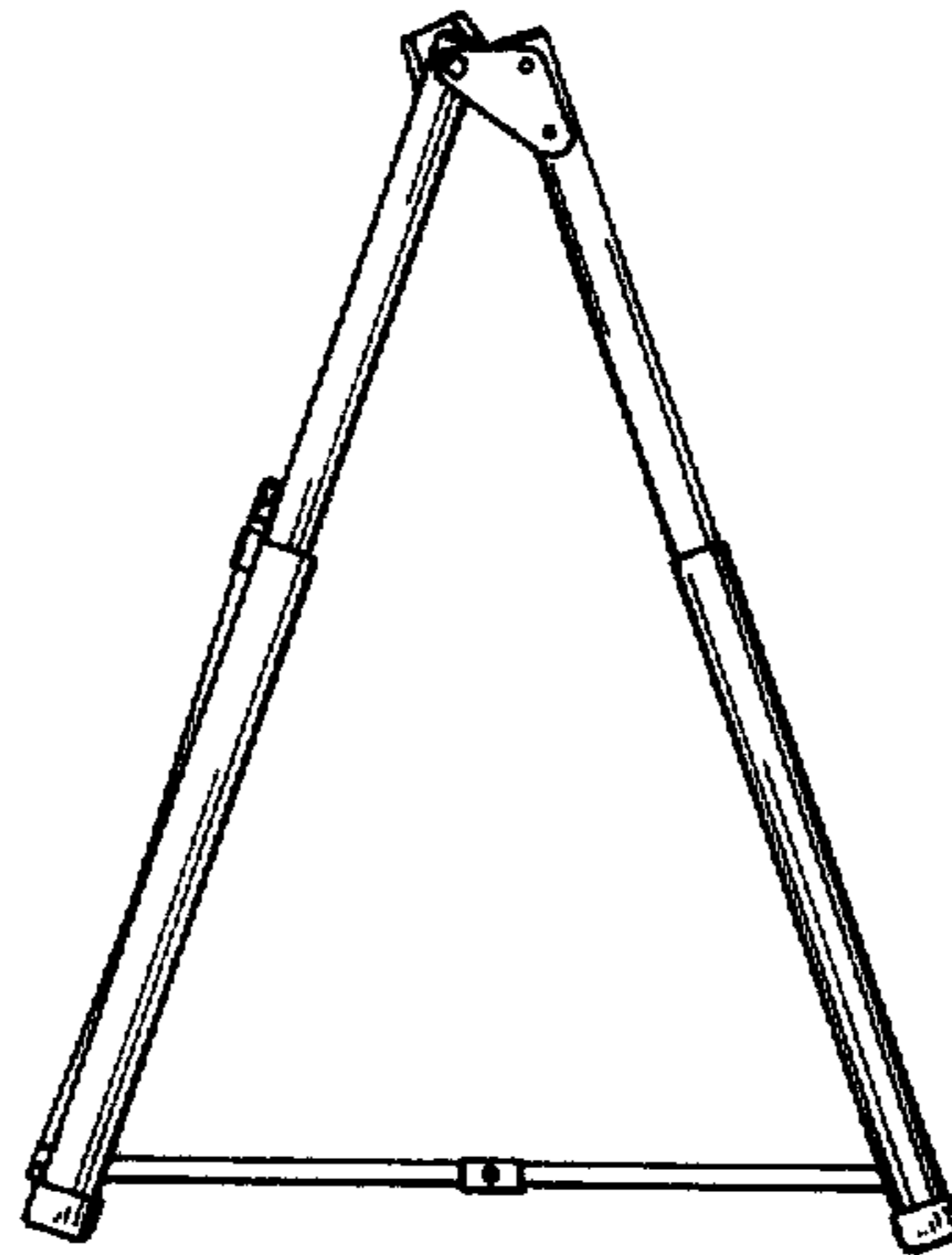


FIG. 5

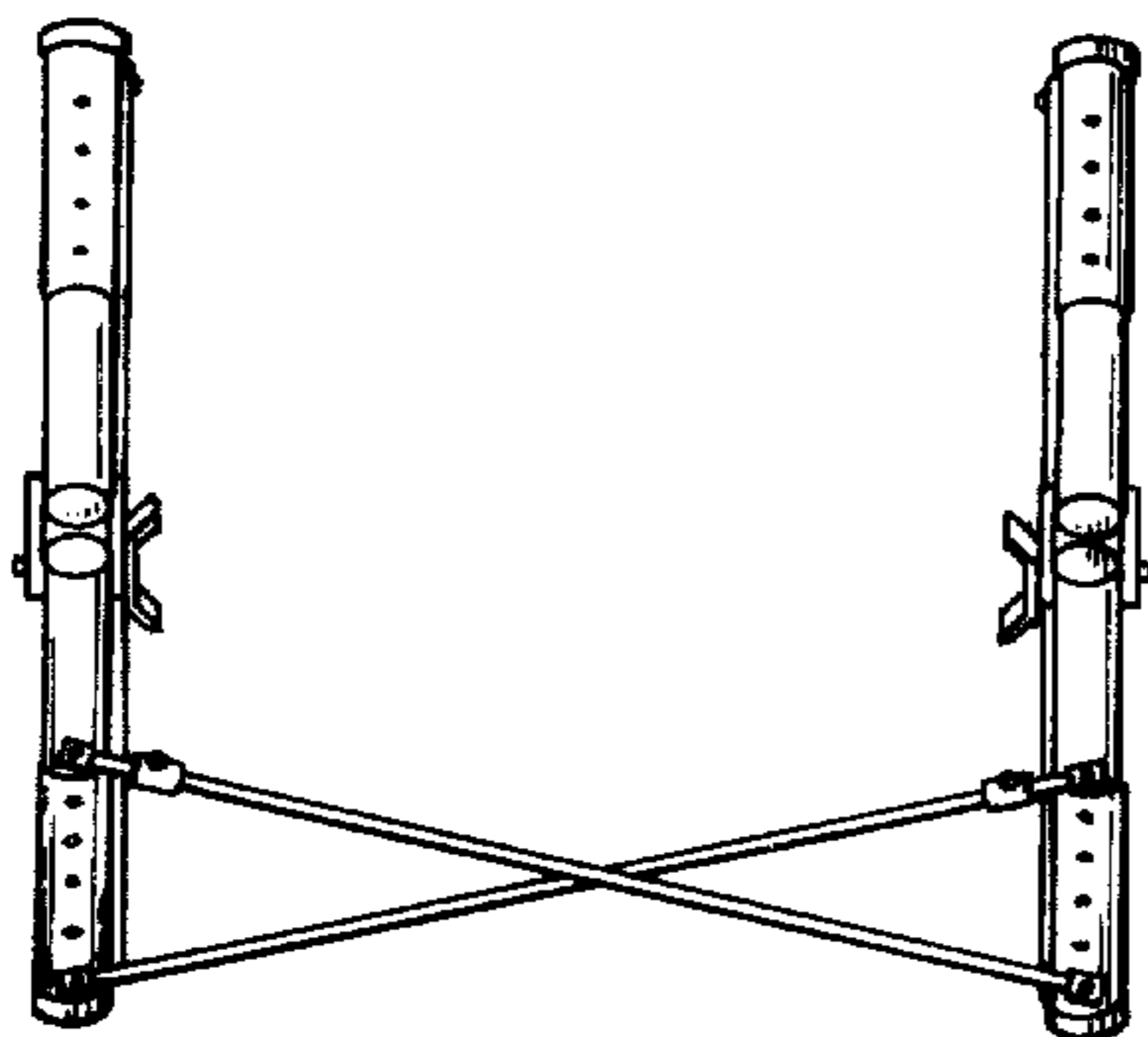


FIG. 6

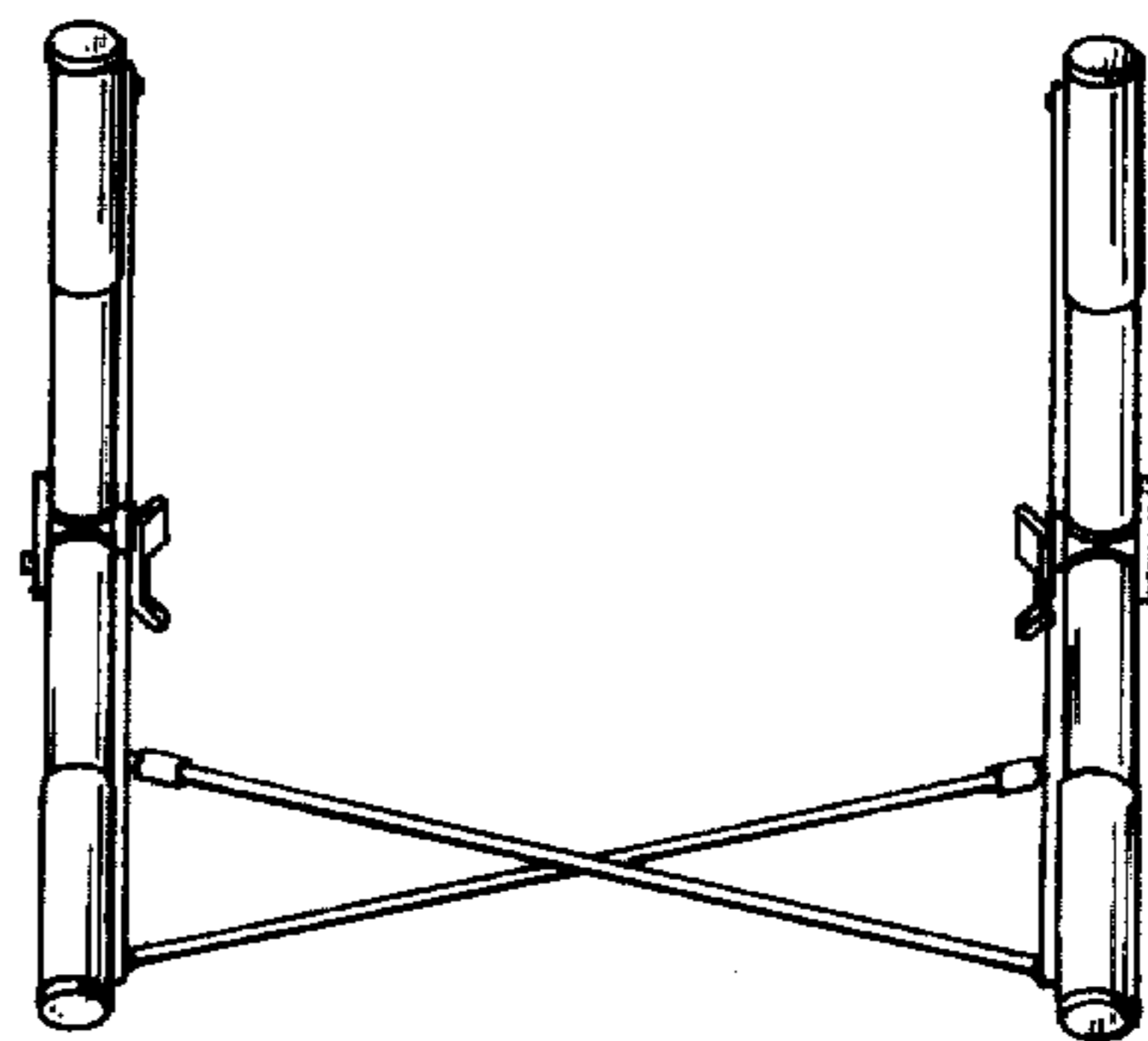


FIG. 7