

[54] **AUXILIARY OBJECTIVE LENS FOR A FIREARM SIGHT**

[75] Inventor: **Claus O. Huckenbeck**, Westlake Village, Calif.

[73] Assignee: **Bausch & Lomb Incorporated**, Rochester, N.Y.

[\*\*] Term: **14 Years**

[21] Appl. No.: **98,831**

[22] Filed: **Nov. 30, 1979**

[51] Int. Cl. .... **D16-06**

[52] U.S. Cl. .... **D16/134**

[58] Field of Search ..... **D16/61; 350/67, 10; 33/245, 246, 253, 261**

[56] **References Cited**

**U.S. PATENT DOCUMENTS**

D. 225,569	12/1972	Burris et al.	.....	D16/61
D. 235,918	7/1975	Huckenbeck	.....	D16/61
D. 239,658	4/1976	Huckenbeck	.....	D16/61

3,121,134	2/1964	Heinzel	.....	350/10
3,131,477	5/1964	Thomas	.....	350/67 X

**OTHER PUBLICATIONS**

Bushnell Sports Optics, ©1976, p. 29, Variable Power Scope Chief VI 3X-9X.

*Primary Examiner*—Bernard Ansher  
*Attorney, Agent, or Firm*—Christie, Parker & Hale

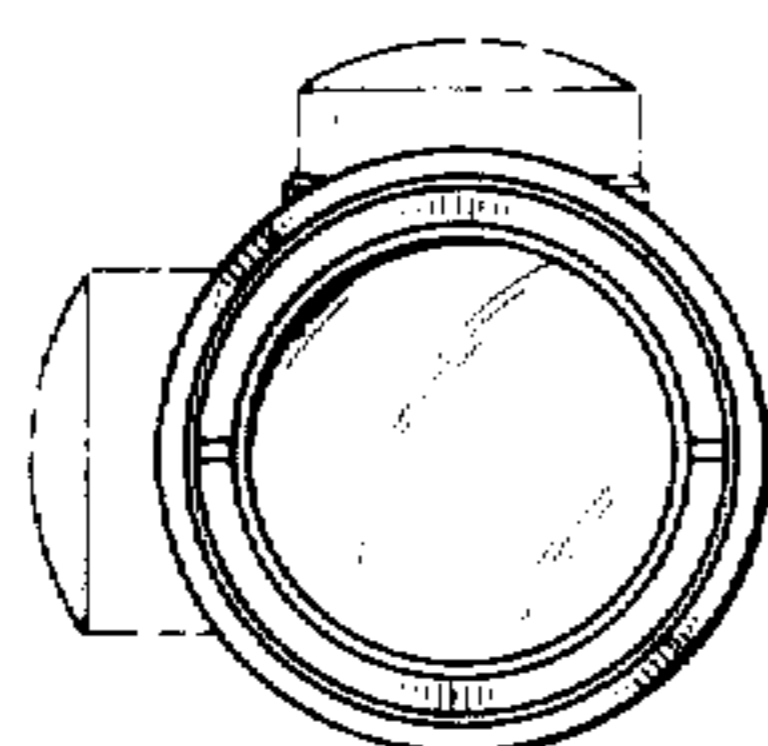
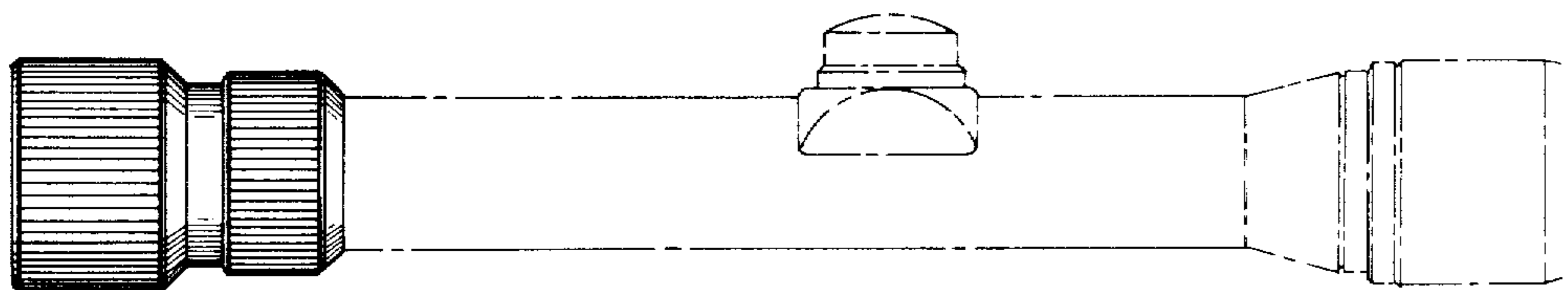
[57] **CLAIM**

The ornamental design for an auxiliary objective lens for a firearm sight, substantially as shown and described.

**DESCRIPTION**

FIG. 1 is a side elevation of the auxiliary objective lens, shown as mounted on a typical firearm optical sight which is depicted in phantom line; for illustrative purposes only;

FIG. 2 is an end view of the solid-line structure shown in FIG. 1, and taken from the left end of FIG. 1; and FIG. 3 is an end view of the solid-line structure in FIG. 1 taken from the right end of FIG. 1.



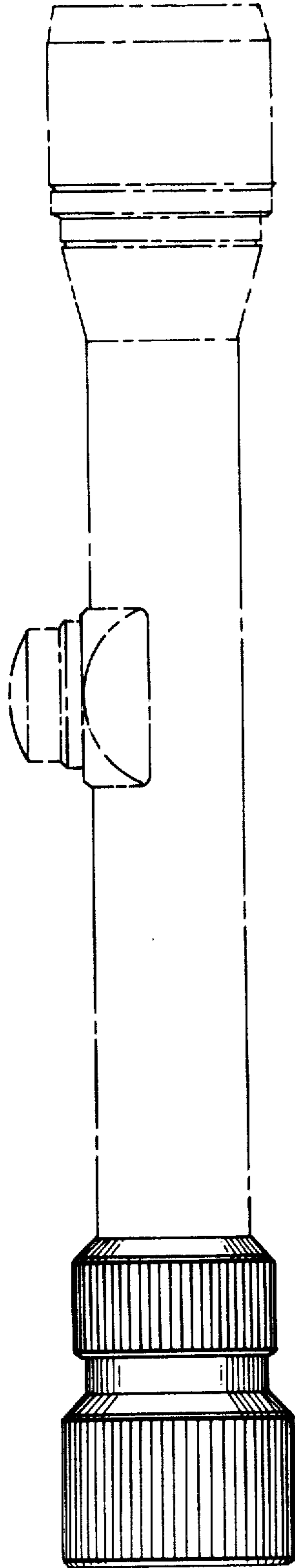


FIG. 1

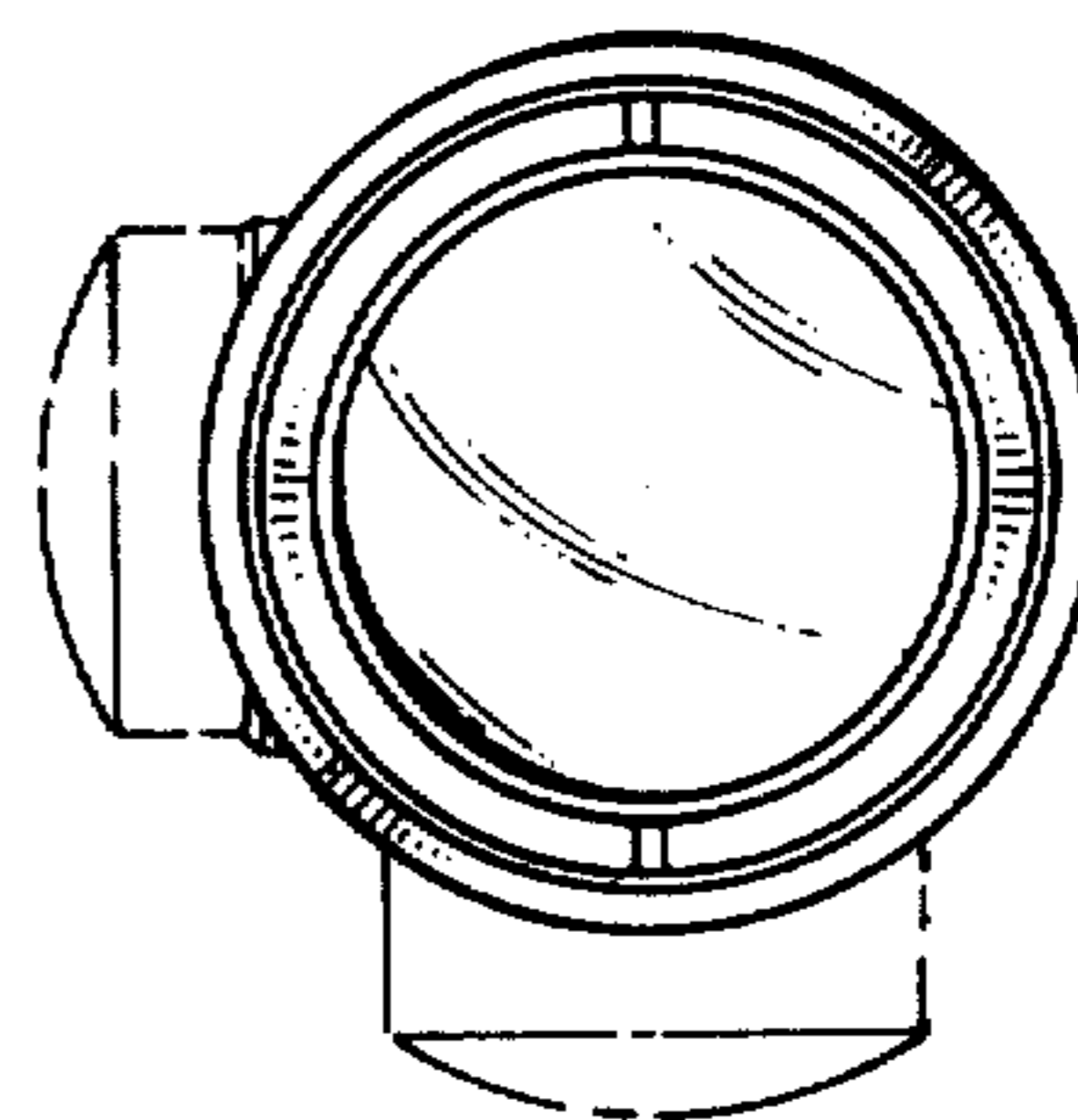


FIG. 2

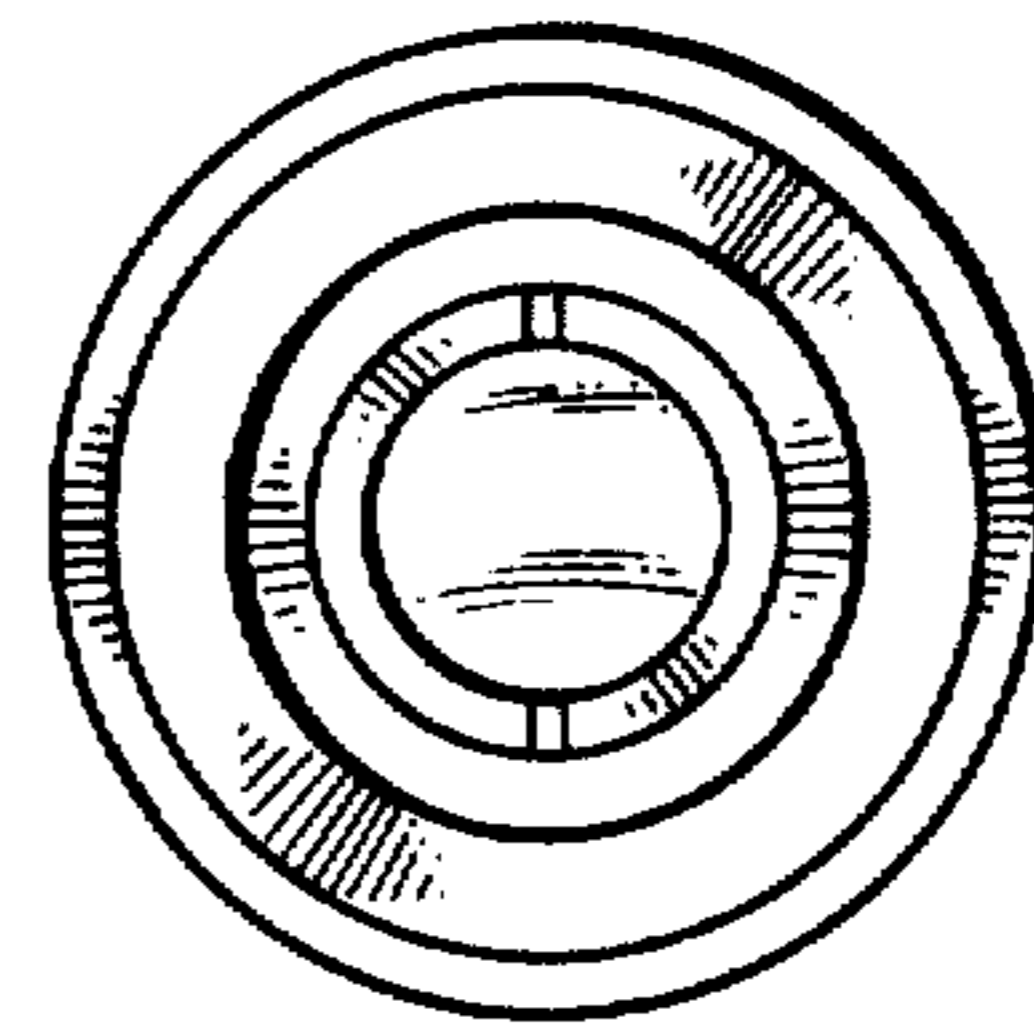


FIG. 3