

[54] ELECTRONIC SYSTEM HOUSING FOR PRINTED CIRCUIT BOARDS AND POWER SOURCE

[75] Inventor: Winfree P. Tuck, Huntsville, Ala.

[73] Assignee: Inteo Incorporated, Fairfax, Va.

[**] Term: 14 Years

[21] Appl. No.: 52,709

[22] Filed: Jun. 28, 1979

[51] Int. Cl. D14-3
[52] U.S. Cl. D14/100
[58] Field of Search D13/12, 40, 41; D14/40, D14/58; 174/50, 52, 685; 220/4 B; 361/331, 346, 380, 383, 384, 386, 393, 394, 395, 397, 399, 400, 403, 404

[56] References Cited
U.S. PATENT DOCUMENTS
D. 158,128 4/1950 Plawczyk D14/58
D. 216,393 12/1969 Sizer D13/41
4,217,624 8/1980 Tuck 361/380

OTHER PUBLICATIONS

Premier Metal Products Company, Dec. 15, 1977, page 4.

Primary Examiner—Peter M. Caun
Attorney, Agent, or Firm—Leitner, Palan, Martin & Bernstein

CLAIM

[57] The ornamental design for an electronic system housing for printed circuit boards and power source, as shown.

DESCRIPTION

FIG. 1 is a front elevational view of an electronic system housing for printed circuit boards and power source showing my design; FIG. 2 is a rear elevational view thereof; FIG. 3 is a top plan elevational view thereof; FIG. 4 is a bottom plan elevational view thereof; FIG. 5 is a right side elevational view thereof; FIG. 6 is a left side elevational view thereof; FIG. 7 is a rear elevational view with power supply removed; and FIG. 8 is a perspective view of a second embodiment wherein the only difference resides in the appearance of the face plate.

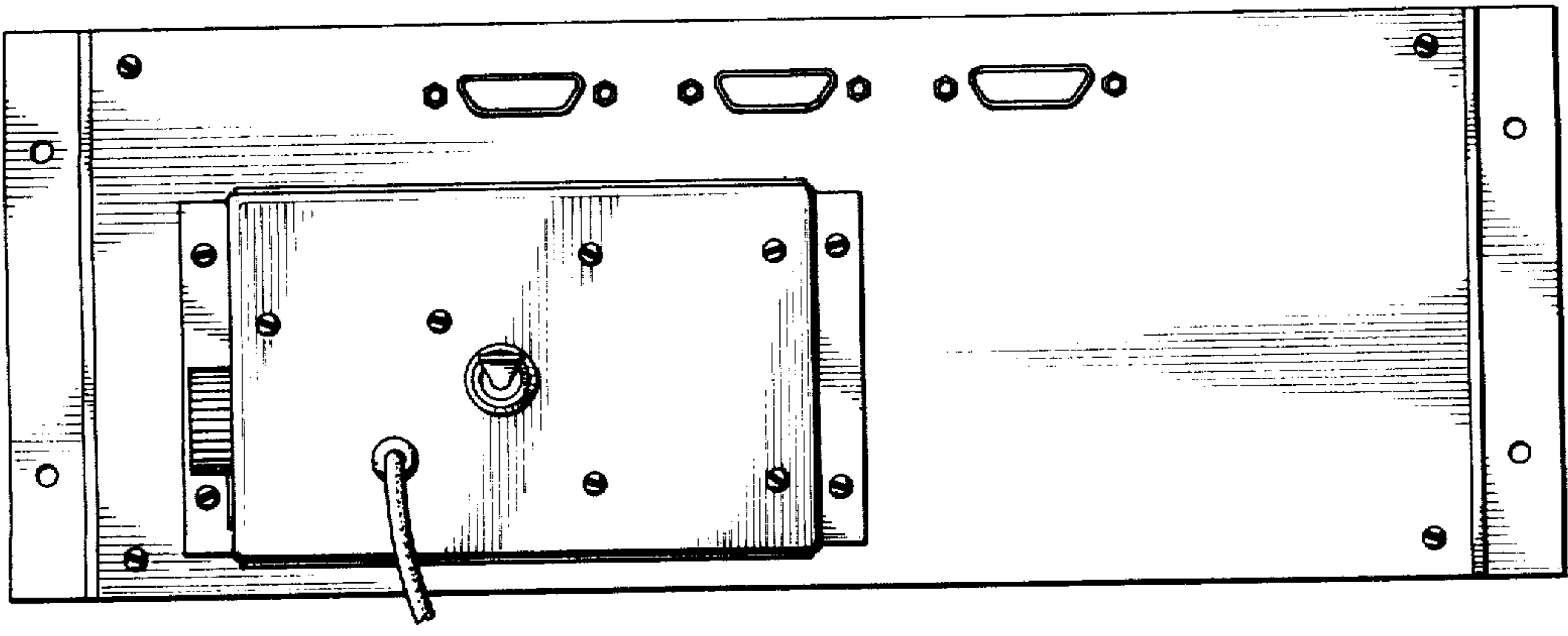


FIG. 1

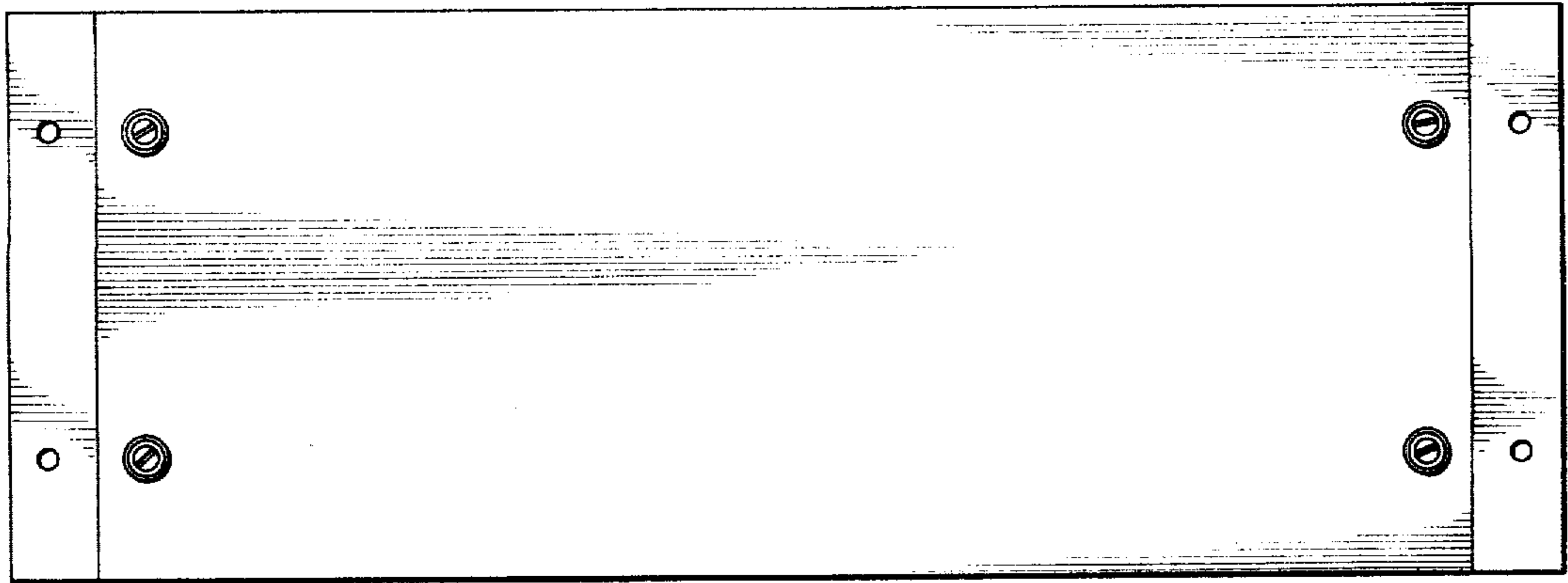


FIG. 2

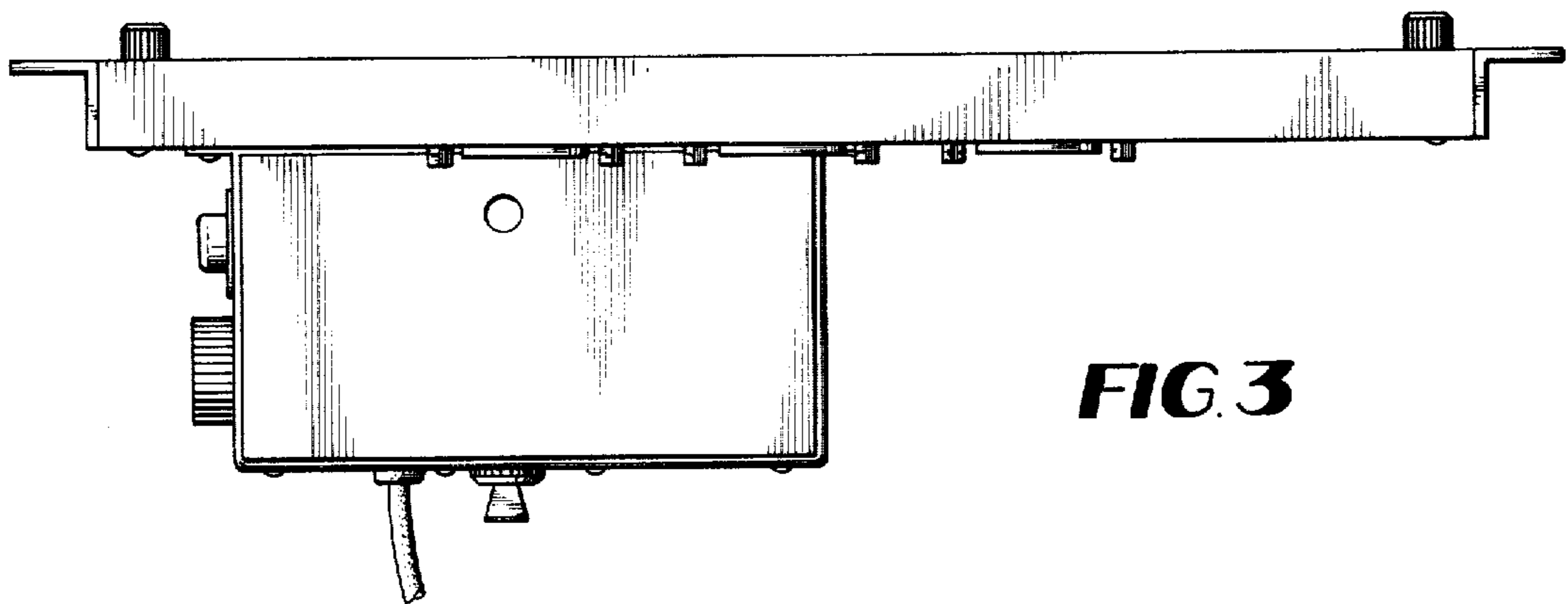
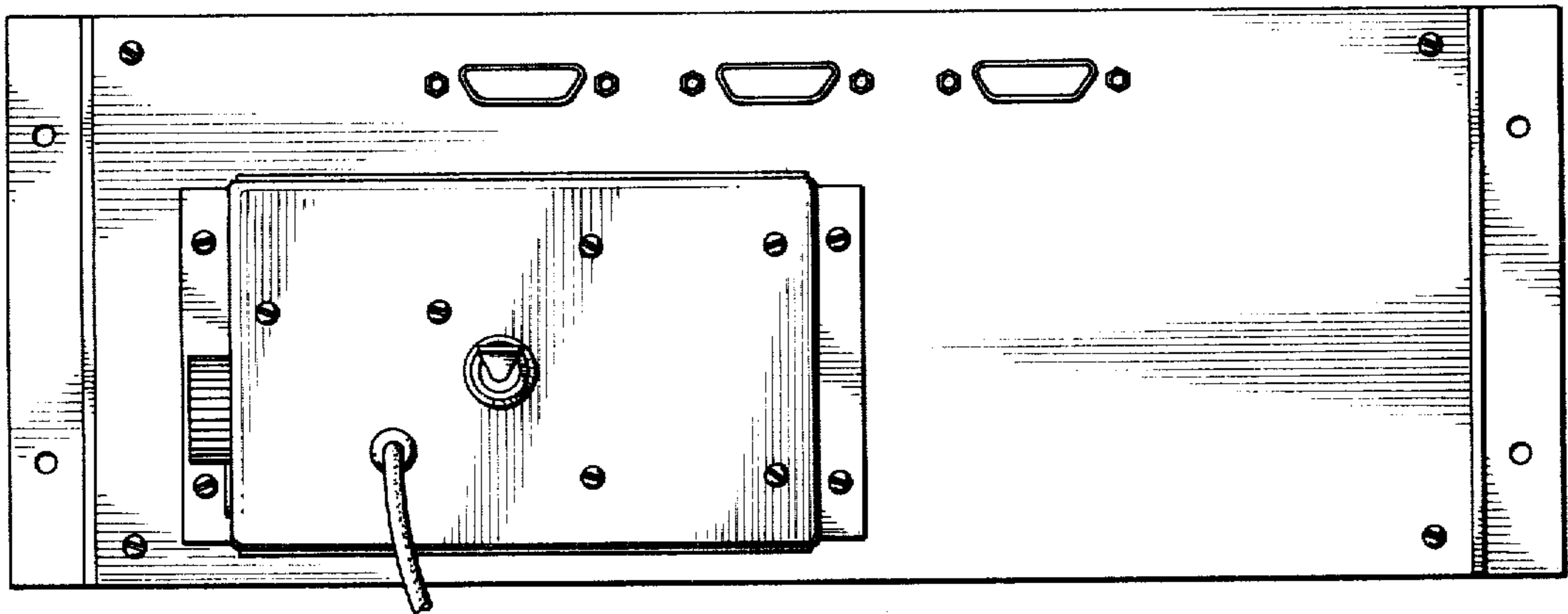


FIG. 3

FIG. 4

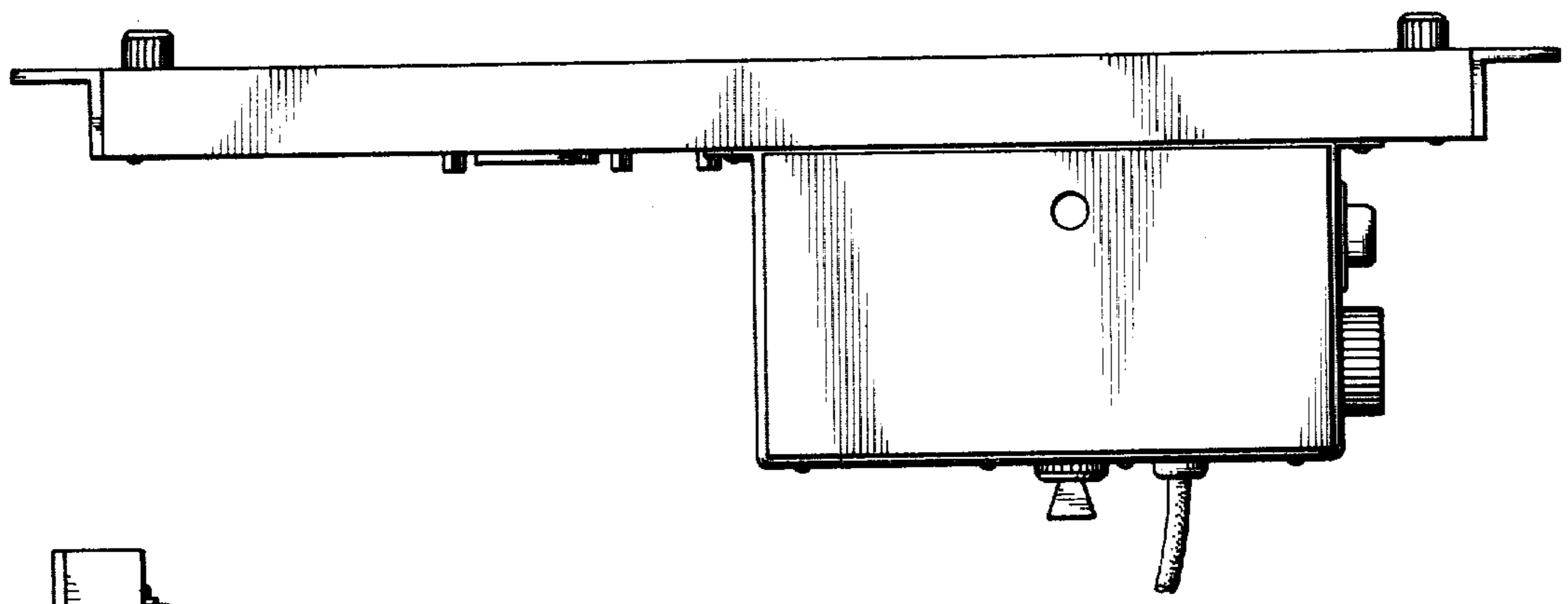


FIG. 5

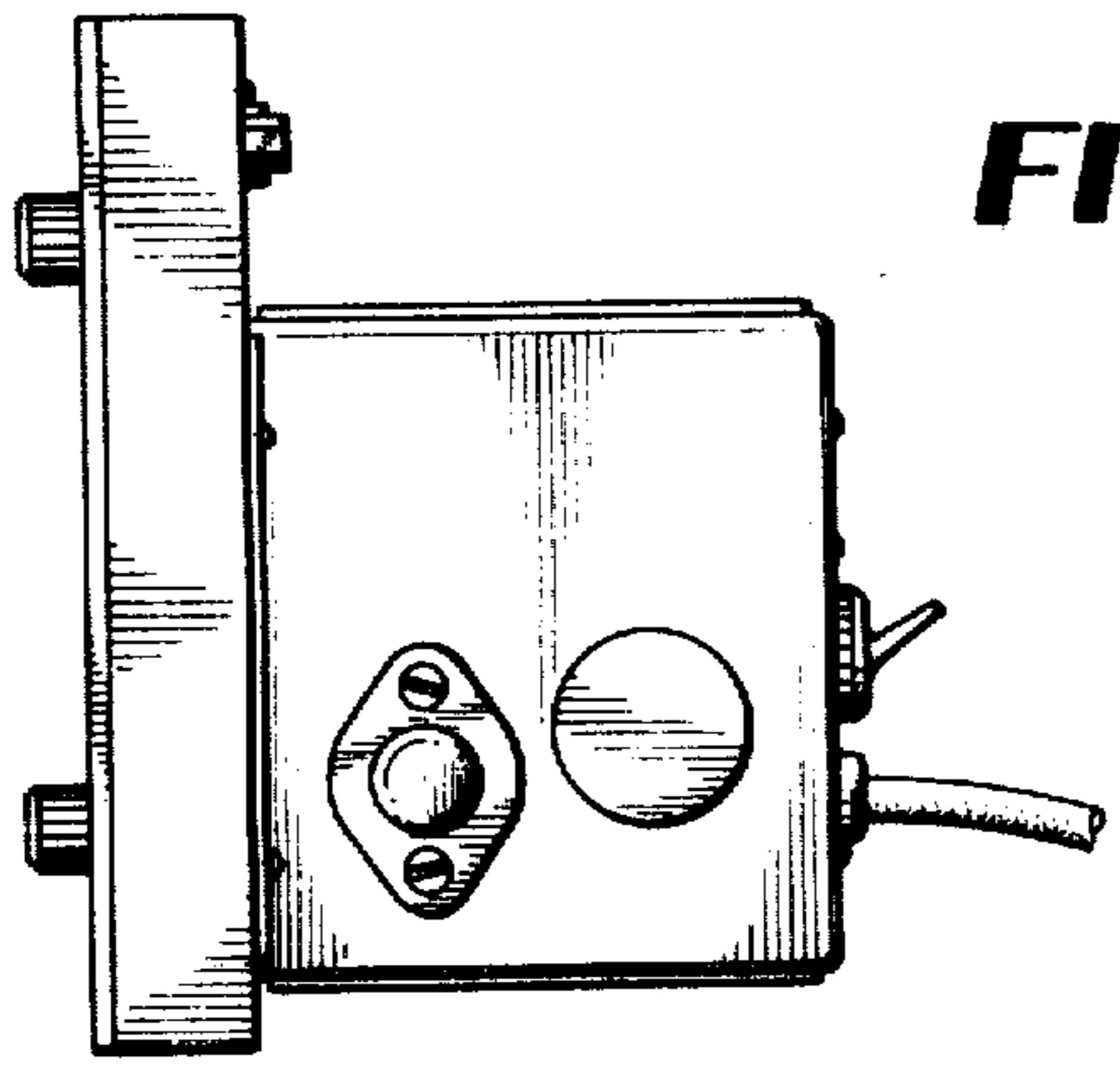


FIG. 6

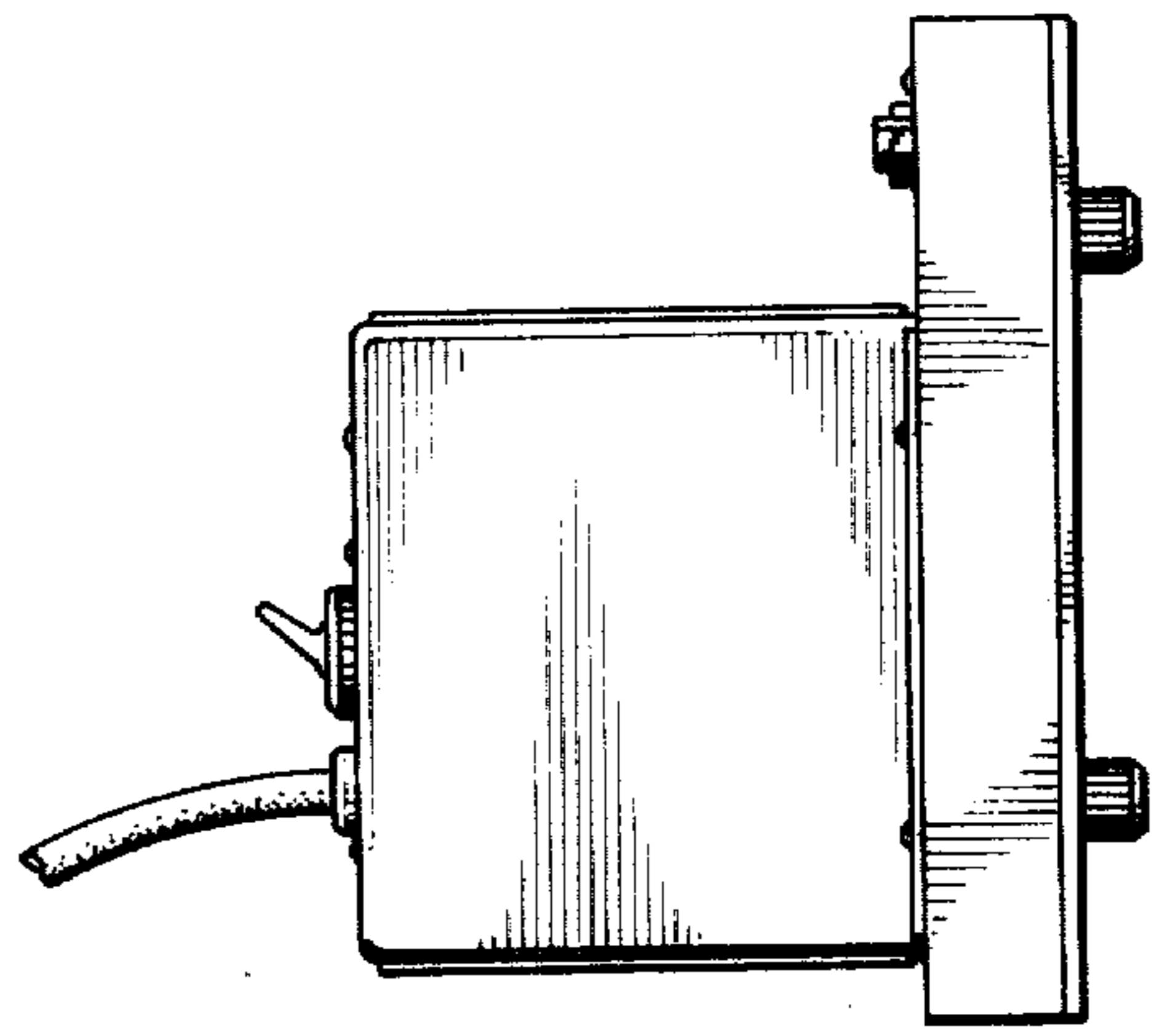


FIG. 7

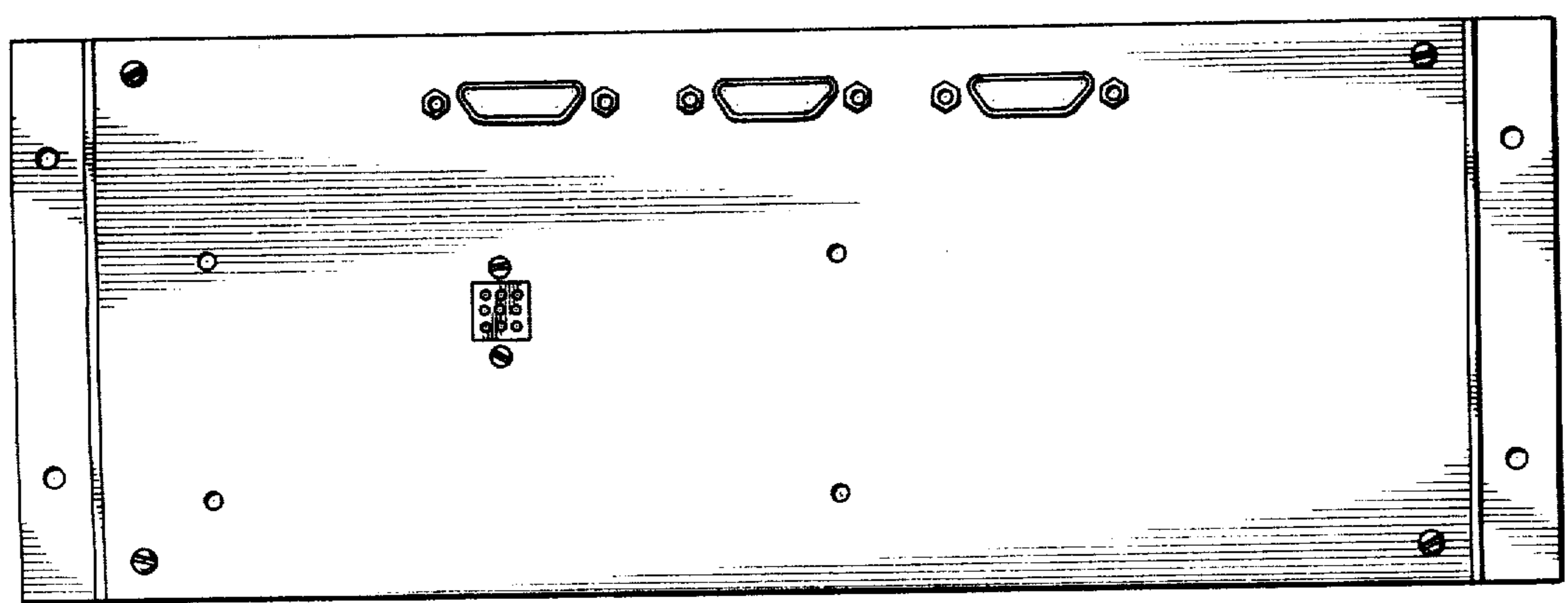
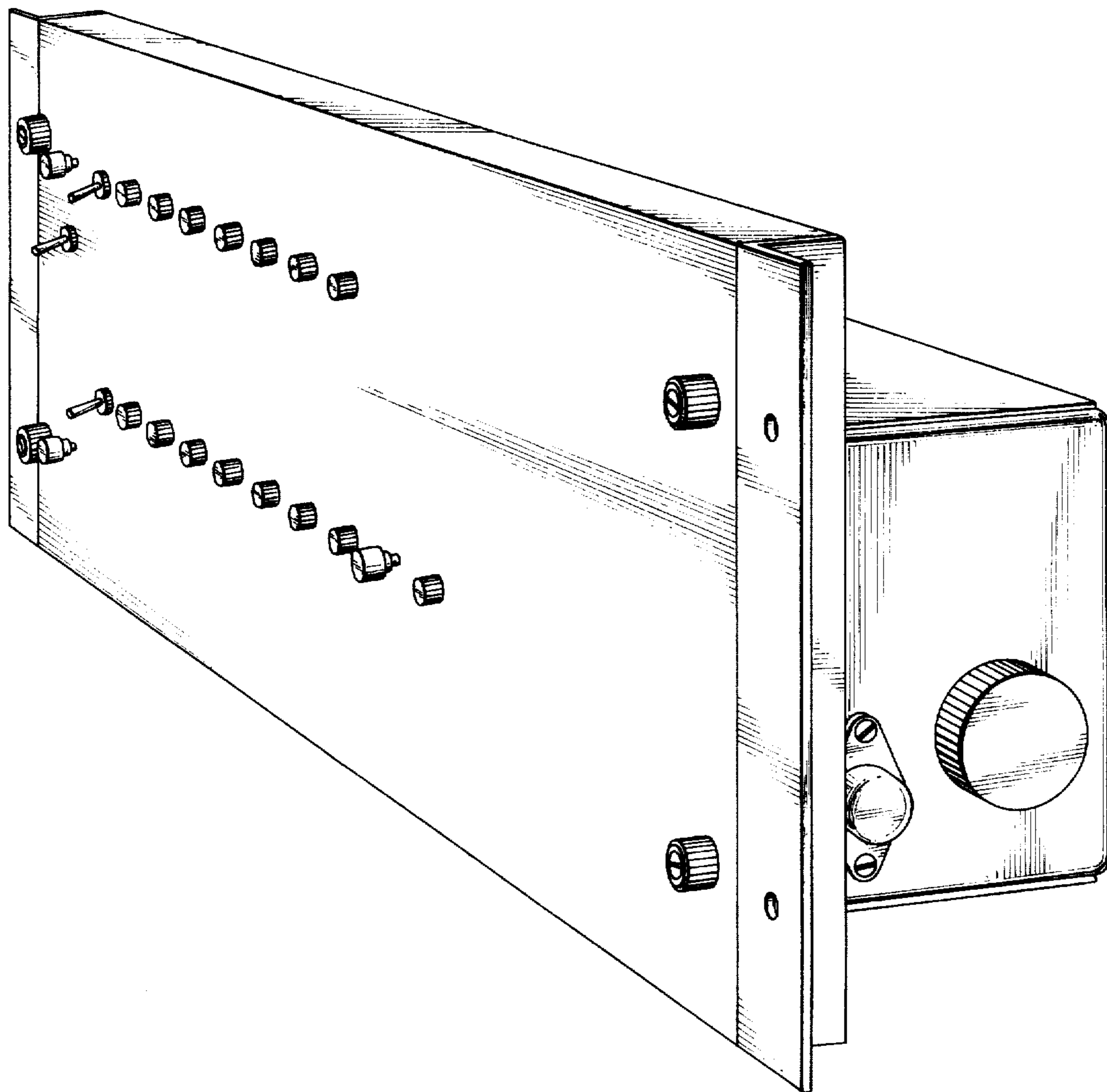


FIG. 8



UNITED STATES PATENT AND TRADEMARK OFFICE
CERTIFICATE OF CORRECTION

PATENT NO. : D 264,844
DATED : June 8, 1982
INVENTOR(S) : Winfree P. Tuck

It is certified that error appears in the above—identified patent and that said Letters Patent is hereby corrected as shown below:

On the title page Item [73],

Delete: "Assignee: INTEO INCORPORATED, Fairfax, Va." and
insert --Assignee: INTEQ INCORPORATED, Fairfax, VA.--

Signed and Sealed this

Seventeenth Day of August 1982

[SEAL]

Attest:

Attesting Officer

GERALD J. MOSSINGHOFF

Commissioner of Patents and Trademarks