

[54] FIXED DISK DRIVE

[75] Inventors: Donald V. Daniels, Santa Cruz; Terence H. West, San Jose; Albert S. Chou, Monte Sorreno, all of Calif.

[73] Assignee: Xerox Corporation, Stamford, Conn.

[**] Term: 14 Years

[21] Appl. No.: 966,178

[22] Filed: Dec. 4, 1978

[51] Int. Cl. D14-02

[52] U.S. Cl. D14/109

[58] Field of Search D14/40-50; 360/97, 98

[56] References Cited

U.S. PATENT DOCUMENTS

3,899,794 8/1975 Brown, Jr. D14/46 X

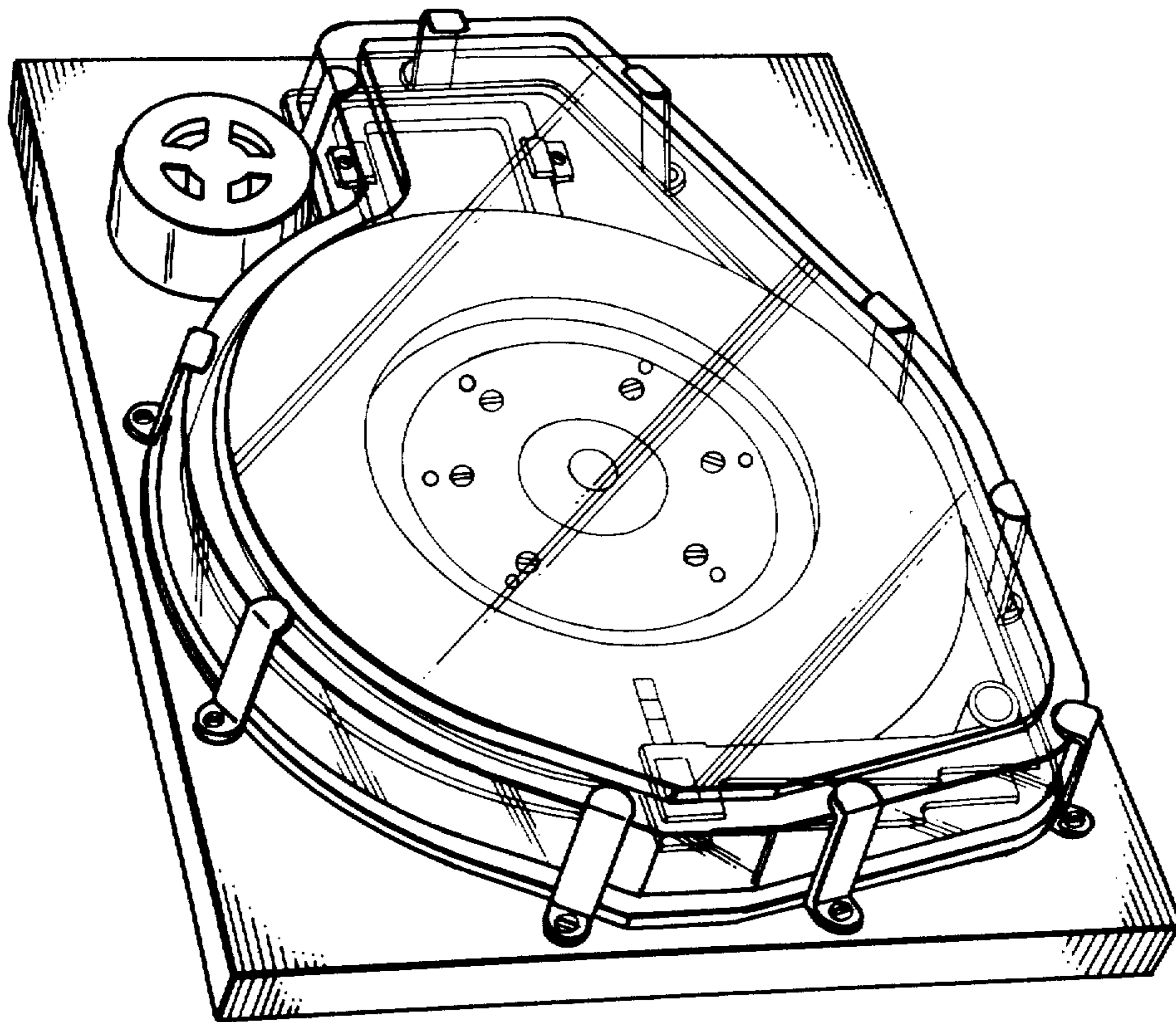
Primary Examiner—Susan J. Lucas

[57] CLAIM

The ornamental design for a fixed disk drive, substantially as shown and described.

DESCRIPTION

FIG. 1 is a perspective view of a fixed disk drive showing the front, top and left-hand side of our new design; FIG. 2 is a top plan view of the fixed disk drive shown in FIG. 1 on an enlarged scale; FIG. 3 is an elevational view of the left-hand side of the fixed disk drive shown in FIG. 1 on an enlarged scale; FIG. 4 is an elevational view of the front of the fixed disk drive shown in FIG. 1 on an enlarged scale; FIG. 5 is an elevational view of the right-hand side of the fixed disk drive shown in FIG. 1 on an enlarged scale; FIG. 6 is an elevational view of the rear of the fixed disk drive shown in FIG. 1 on an enlarged scale; and FIG. 7 is a bottom plan view of the fixed disk drive shown in FIG. 1 on an enlarged scale.



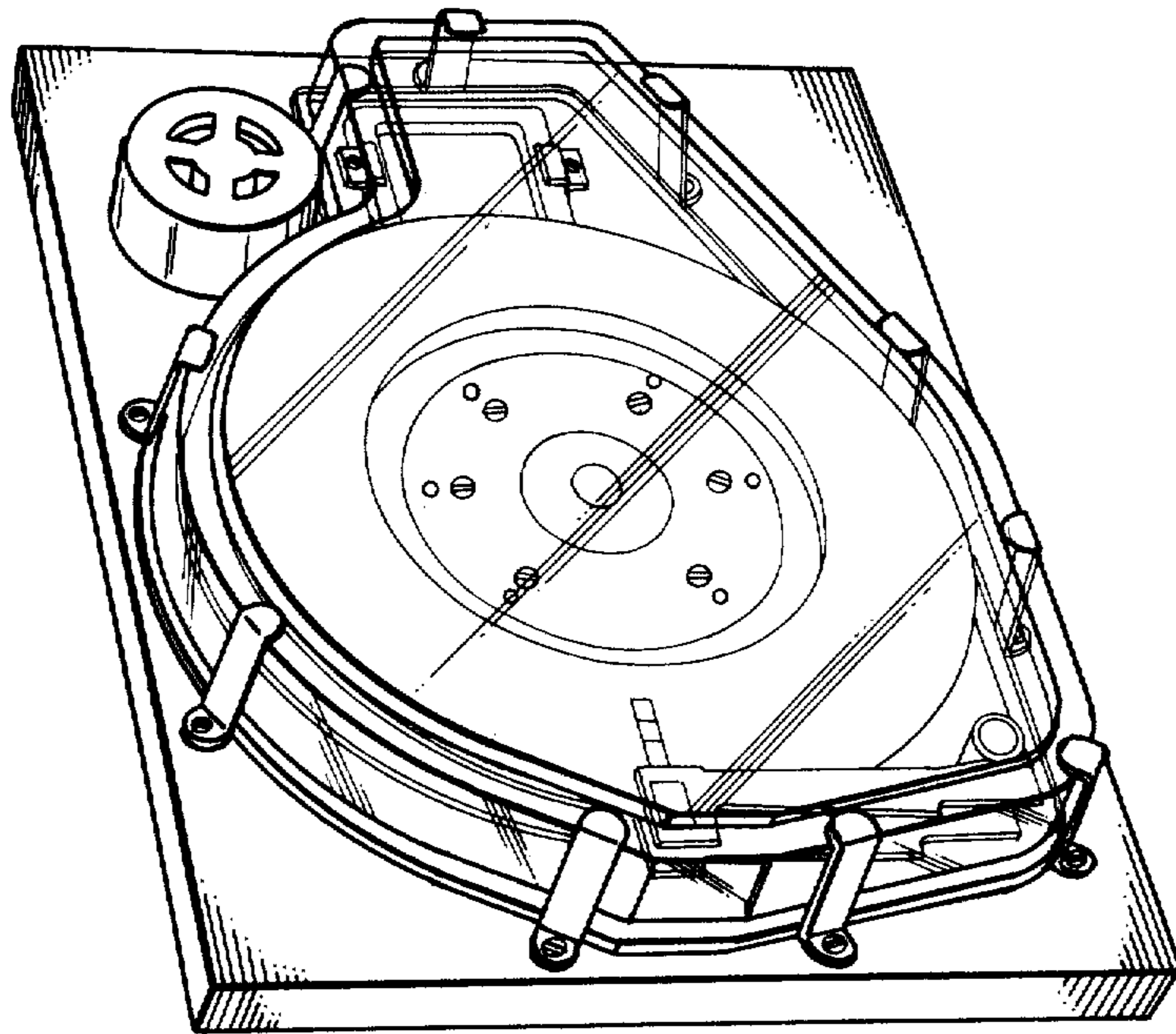


FIG. 1

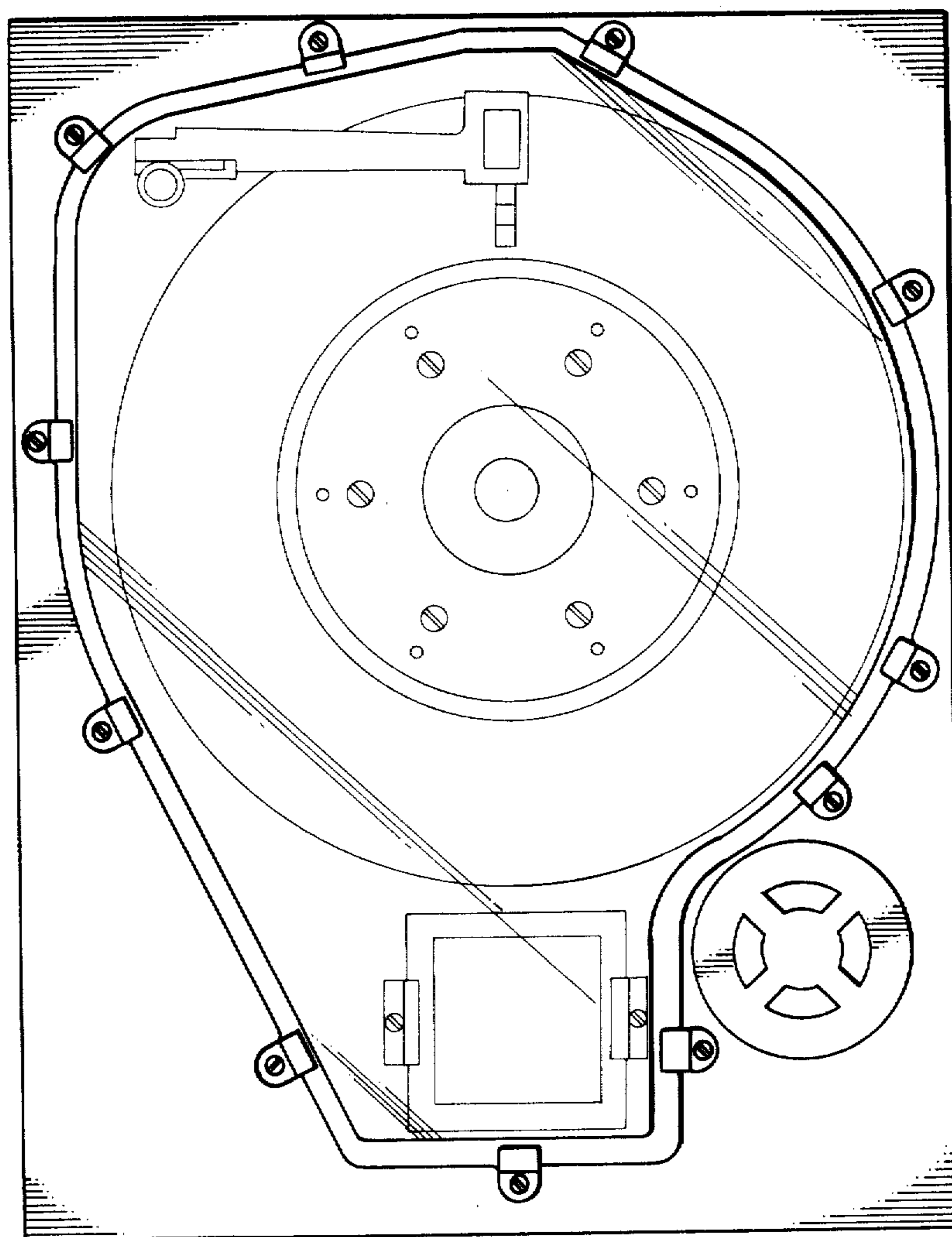


FIG. 2

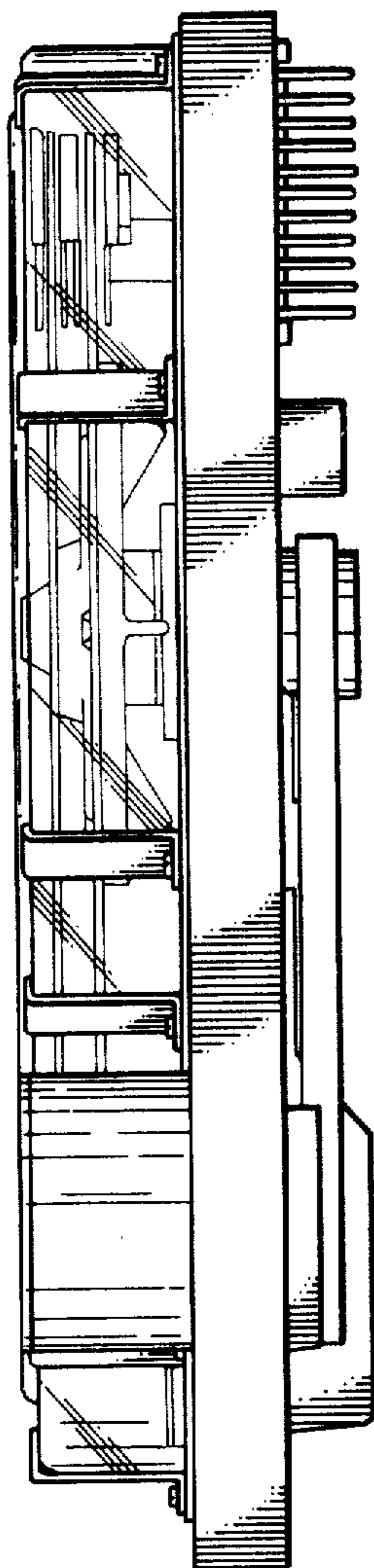


FIG. 3

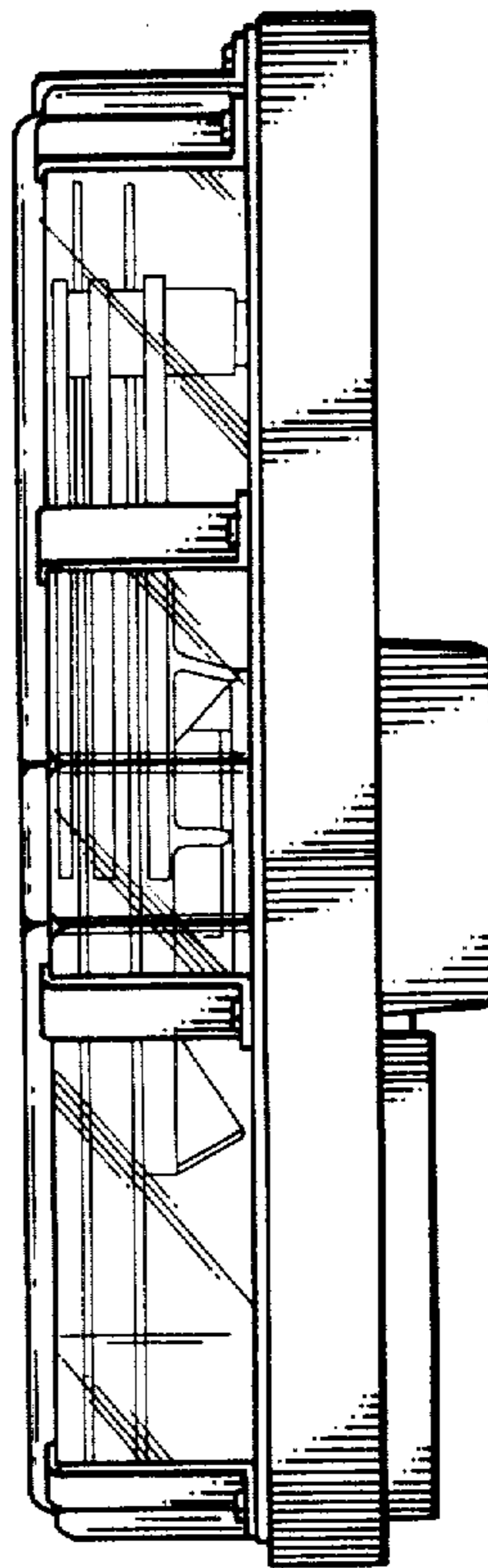


FIG. 4

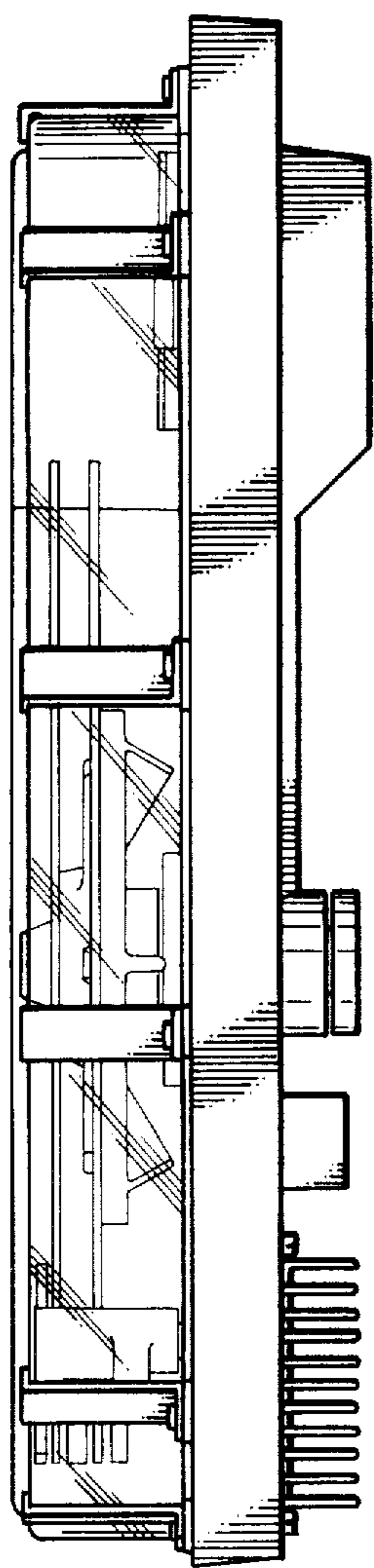


FIG. 5

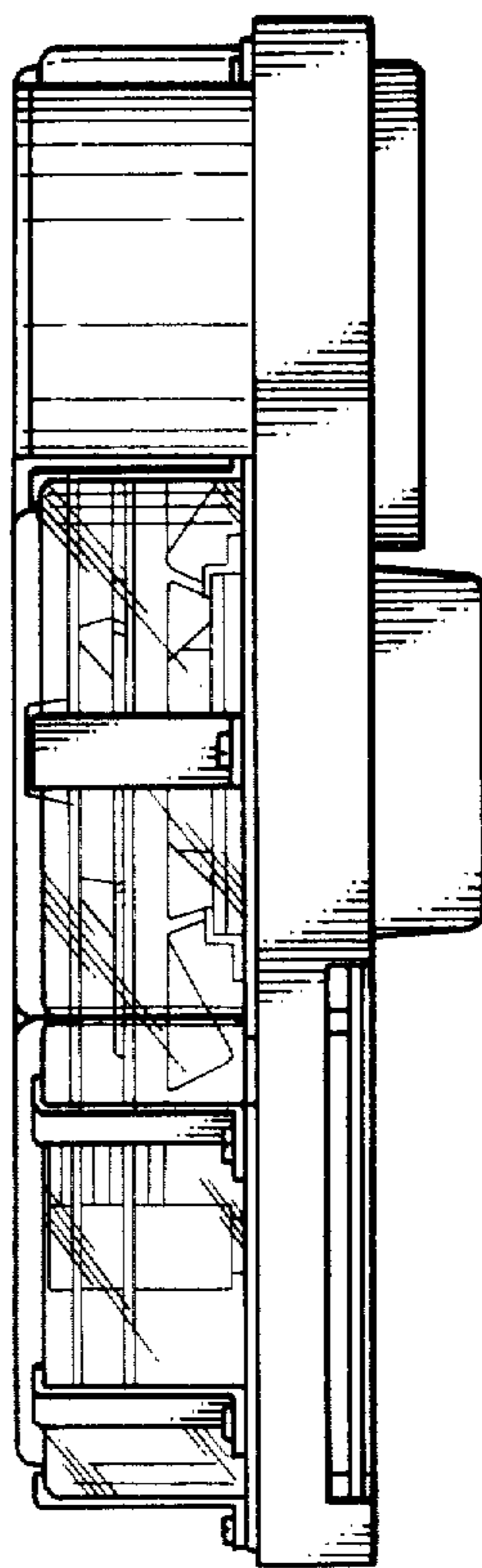


FIG. 6

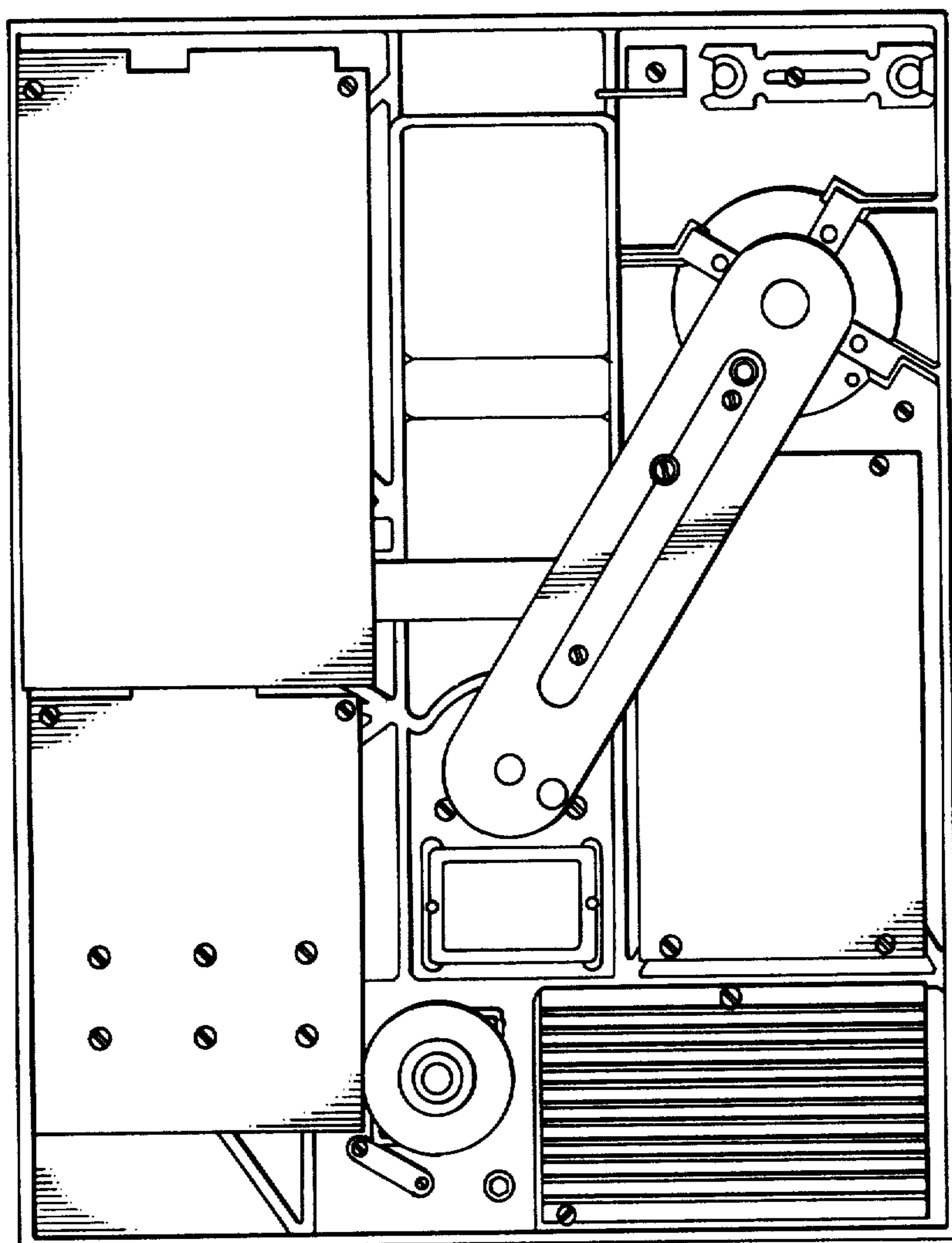


FIG. 7