

[54] AIRCRAFT

[76] Inventor: Peter Dornier, Schachenerstrasse 97, Lindau, Fed. Rep. of Germany, 8990

[*] Notice: The portion of the term of this patent subsequent to Jun. 10, 1994, has been disclaimed.

[**] Term: 14 Years

[21] Appl. No.: 72,688

[22] Filed: Sep. 5, 1979

[30] Foreign Application Priority Data

[DE] Fed. Rep. of Germany

[51] Int. Cl. D12-07

[52] U.S. Cl. D12/324; D12/337; D12/340; D12/342

[58] Field of Search D12/75, 78, 71, 324, D12/340, 342, 337; 244/45 R

[56] References Cited

U.S. PATENT DOCUMENTS

- D. 244,843 6/1977 Paulson D12/71
- D. 255,341 6/1980 Dornier D12/75
- D. 255,342 6/1980 Dornier D12/71 X

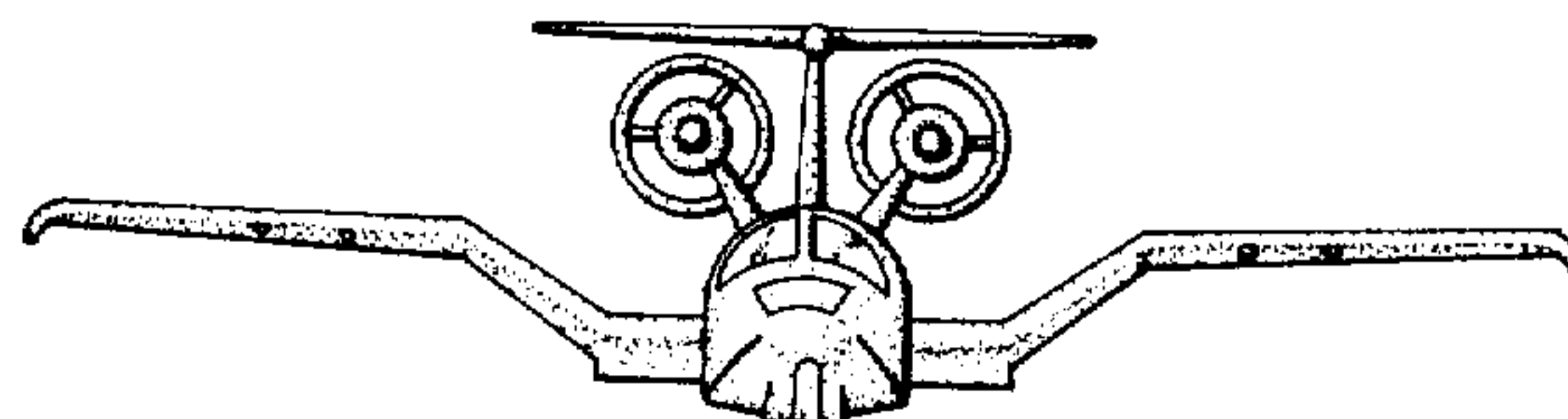
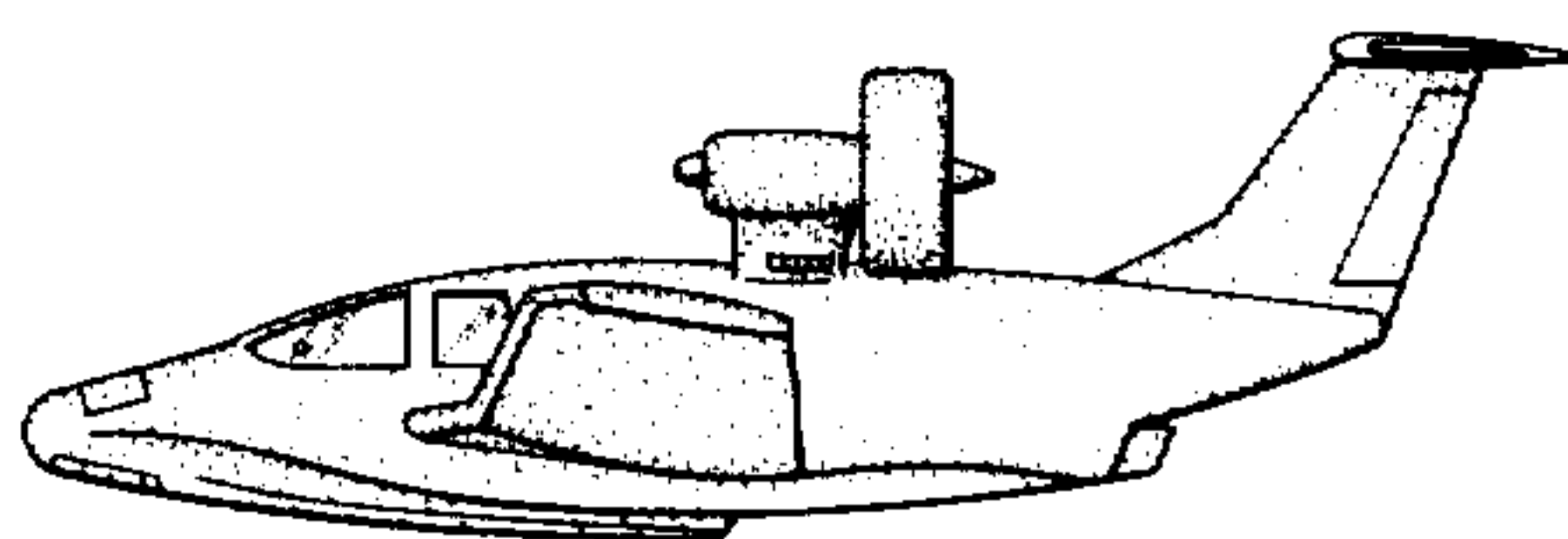
Primary Examiner—Alan P. Douglas
Attorney, Agent, or Firm—James E. Bryan

[57] CLAIM

The design for an aircraft, substantially as shown and described.

DESCRIPTION

FIG. 1 is a left-side view of the aircraft of the invention, FIG. 2 is a top view of the aircraft of the invention, FIG. 3 is a front view of the aircraft of the invention, FIG. 4 is a bottom view of the aircraft of the invention, and FIG. 5 is a rear view of the aircraft of the invention.



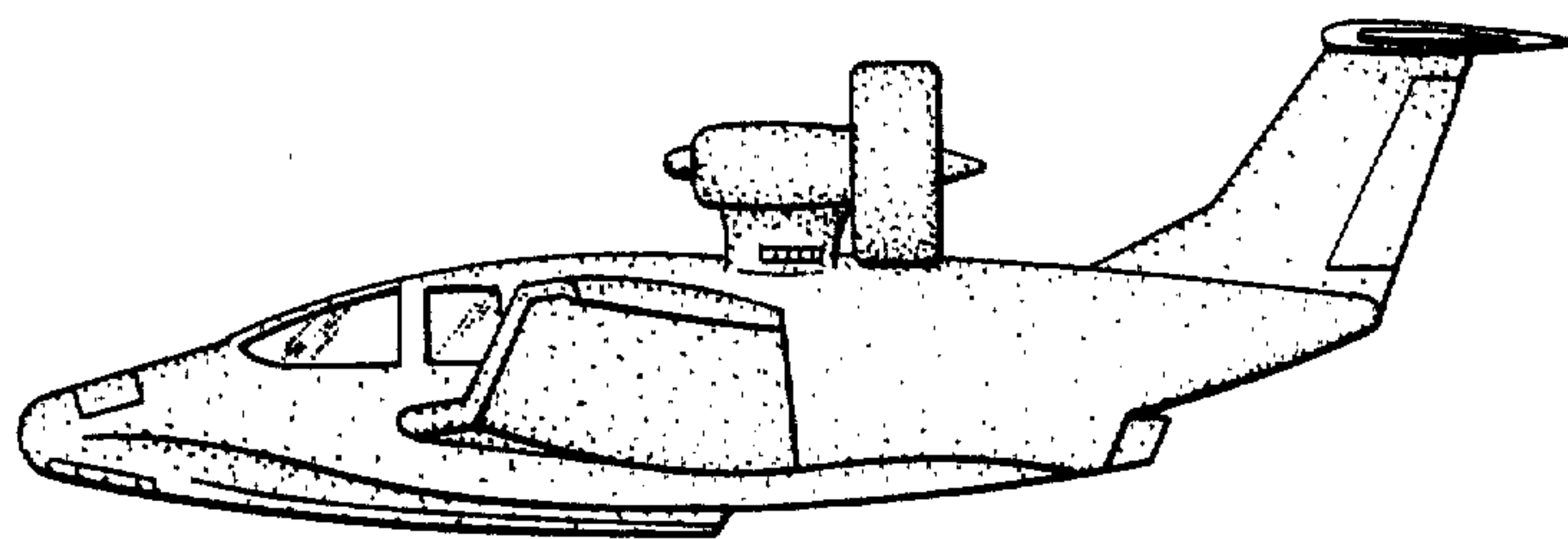


FIG. 1

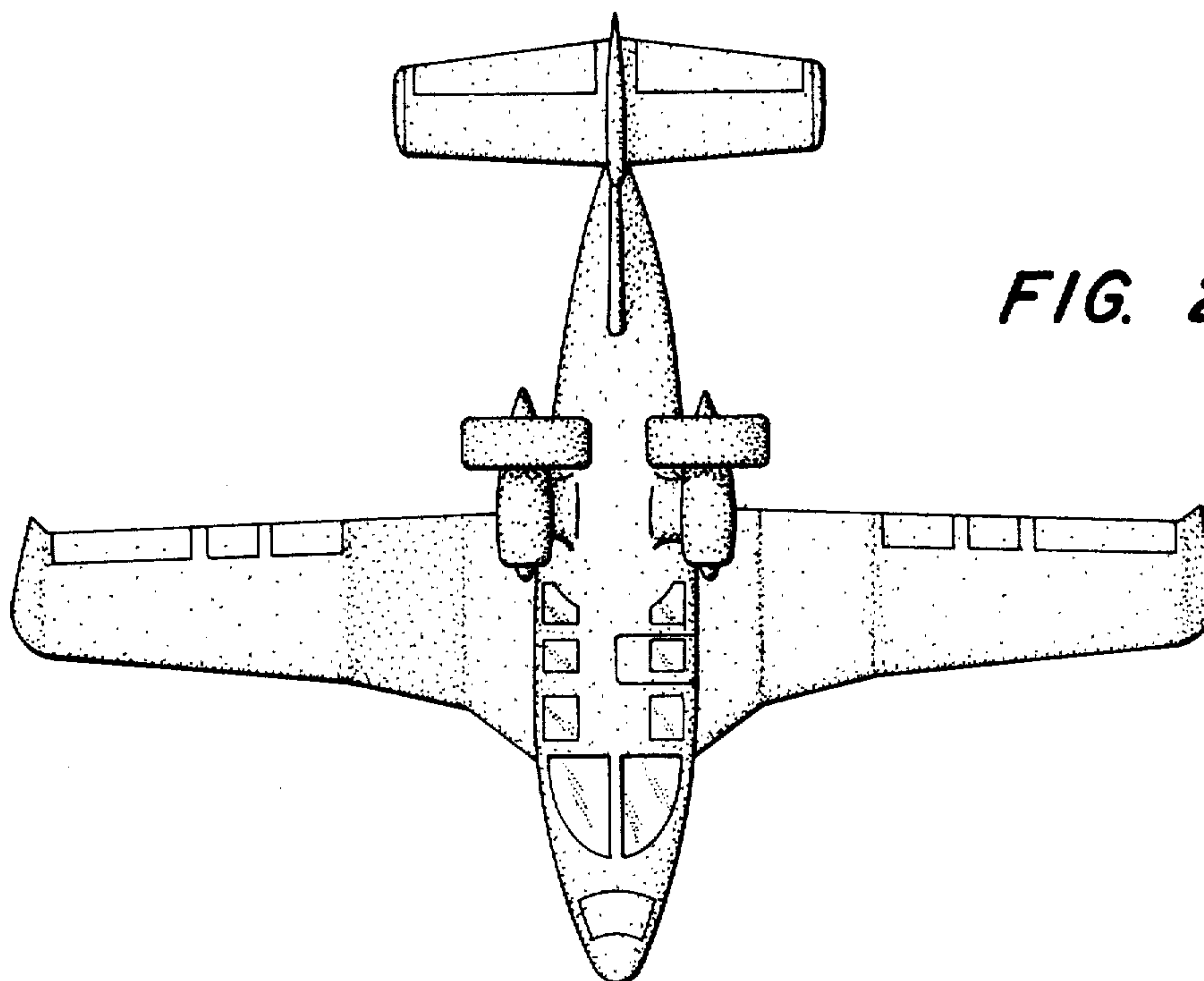


FIG. 2

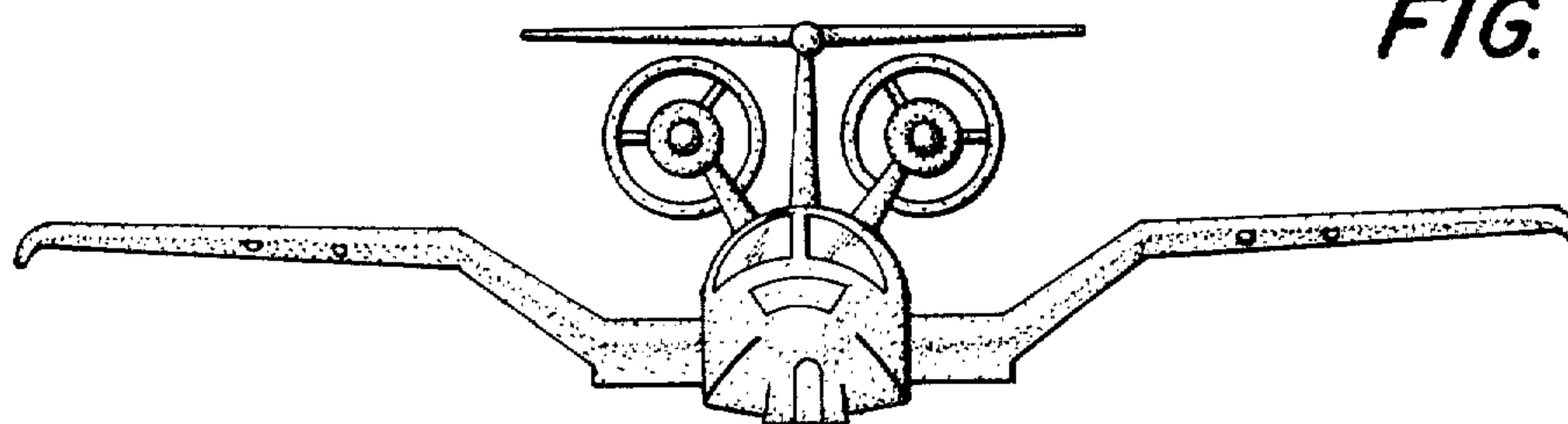


FIG. 3

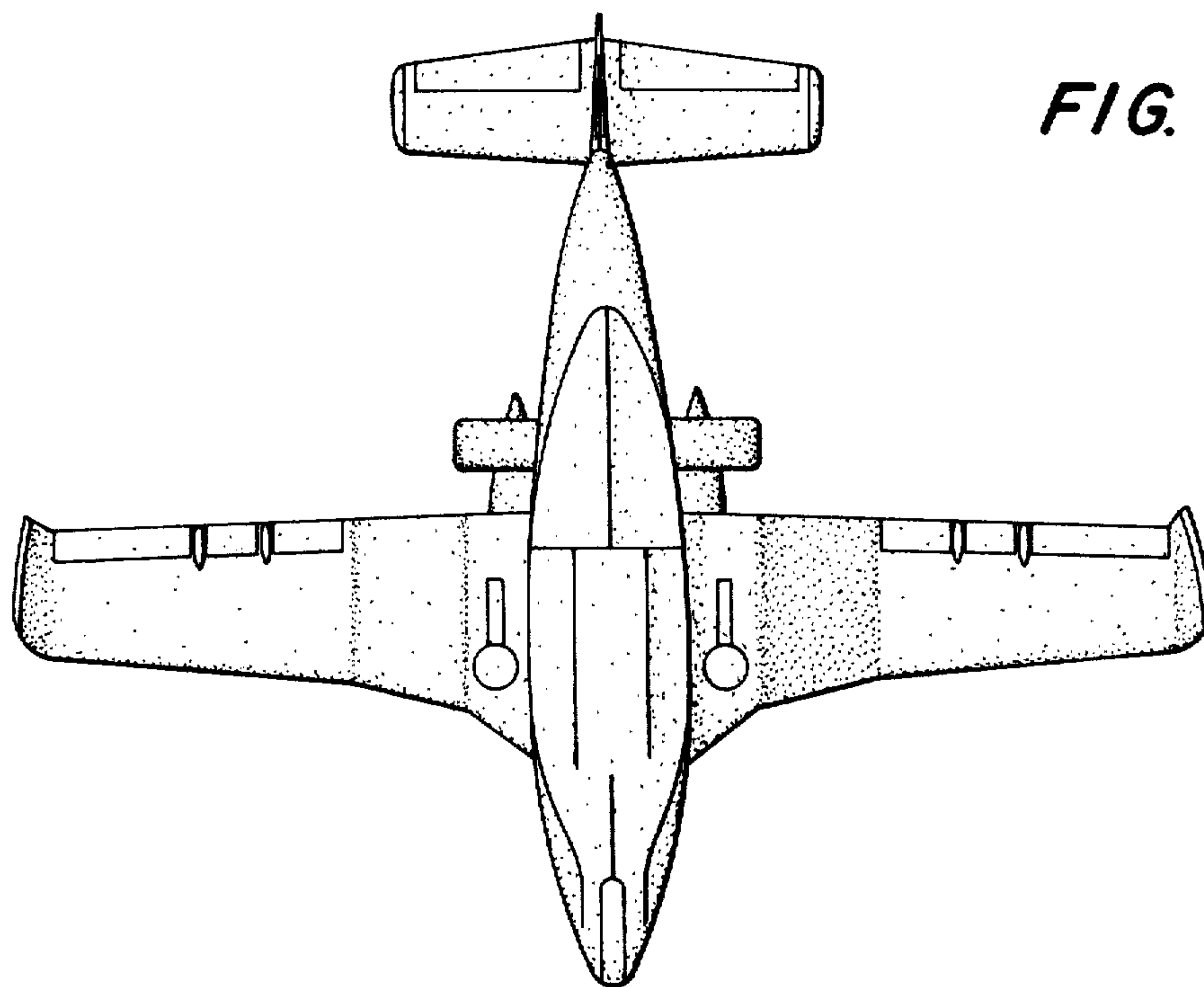


FIG. 4

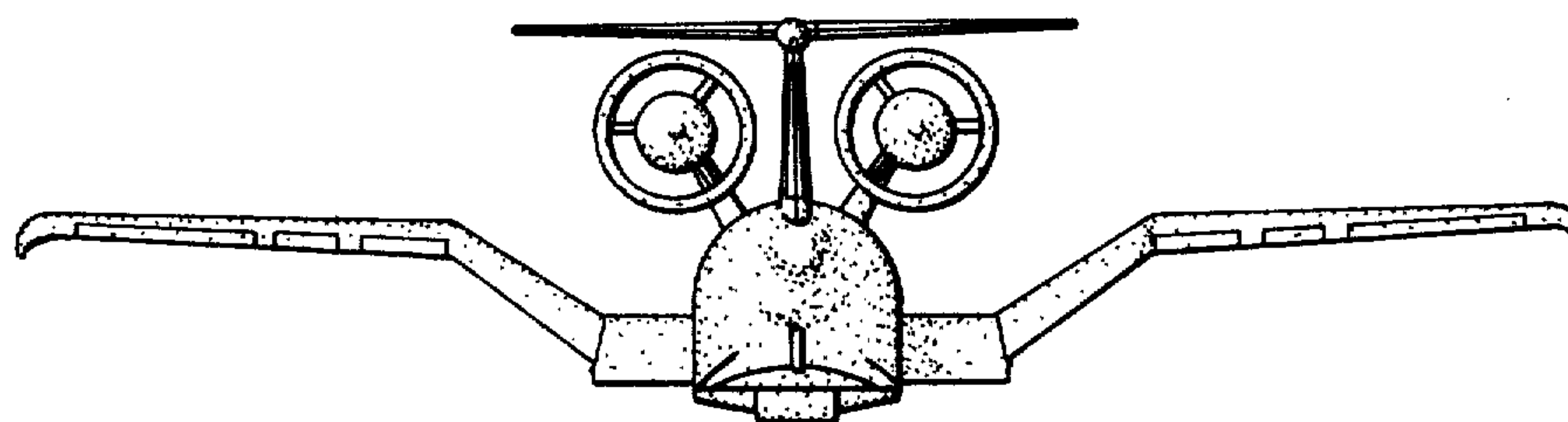


FIG. 5