

[54] JEWELRY CLASP

[76] Inventor: Ernest F. Gray, 3246 San Amadeo, Apt. O, Laguna Hills, Calif. 92653

[**] Term: 14 Years

[21] Appl. No.: 98,740

[22] Filed: Nov. 30, 1979

[51] Int. Cl. D11-01

[52] U.S. Cl. D11/87

[58] Field of Search D11/7, 86, 87; 63/1 R-2 R; D2/414; 24/230 R

[56] References Cited

U.S. PATENT DOCUMENTS

D. 56,246	9/1920	Alterson	D2/414
1,701,970	2/1929	Chavnard	24/230 R
2,986,792	6/1961	Wyatt	D11/87 X
3,848,299	11/1974	Gray	24/230 R
3,967,351	7/1976	Rosenberg et al.	24/230 R

FOREIGN PATENT DOCUMENTS

127531 6/1919 United Kingdom 24/230 R

Primary Examiner—Louis S. Zarfes
Attorney, Agent, or Firm—Paul H. Gallagher

[57] CLAIM

The ornamental design for a jewelry clasp, as shown and described.

DESCRIPTION

FIG. 1 is a top, right front perspective view of a jewelry clasp showing my new design; FIG. 2 is a perspective view of the other three sides; FIG. 3 is an exploded perspective view in the same orientation as FIG. 1; FIG. 4 is an exploded perspective view in the same orientation as FIG. 2; and FIG. 5 is a right end view of the receptor element alone. The broken lines showing typical eyelets are for illustrative purposes only.

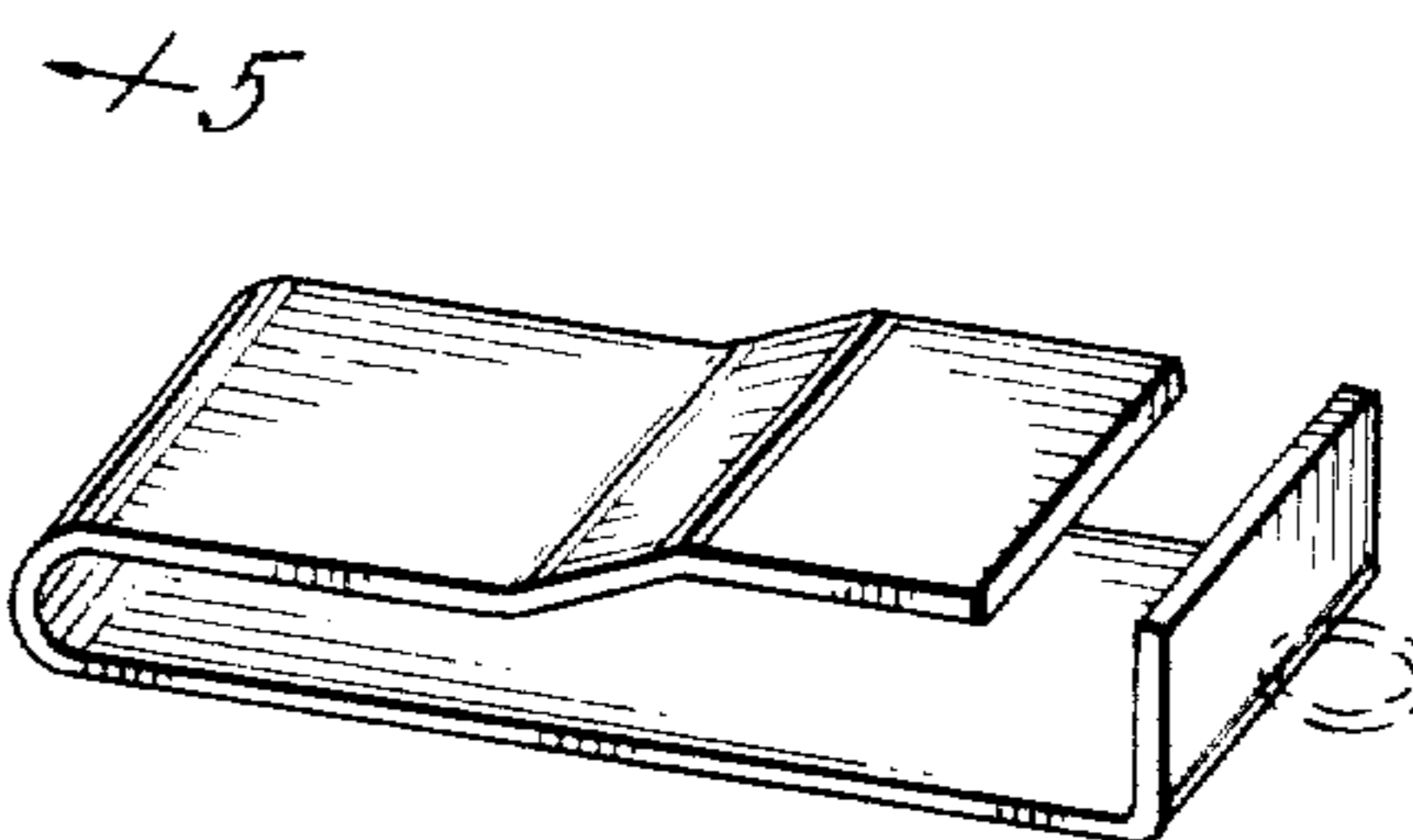
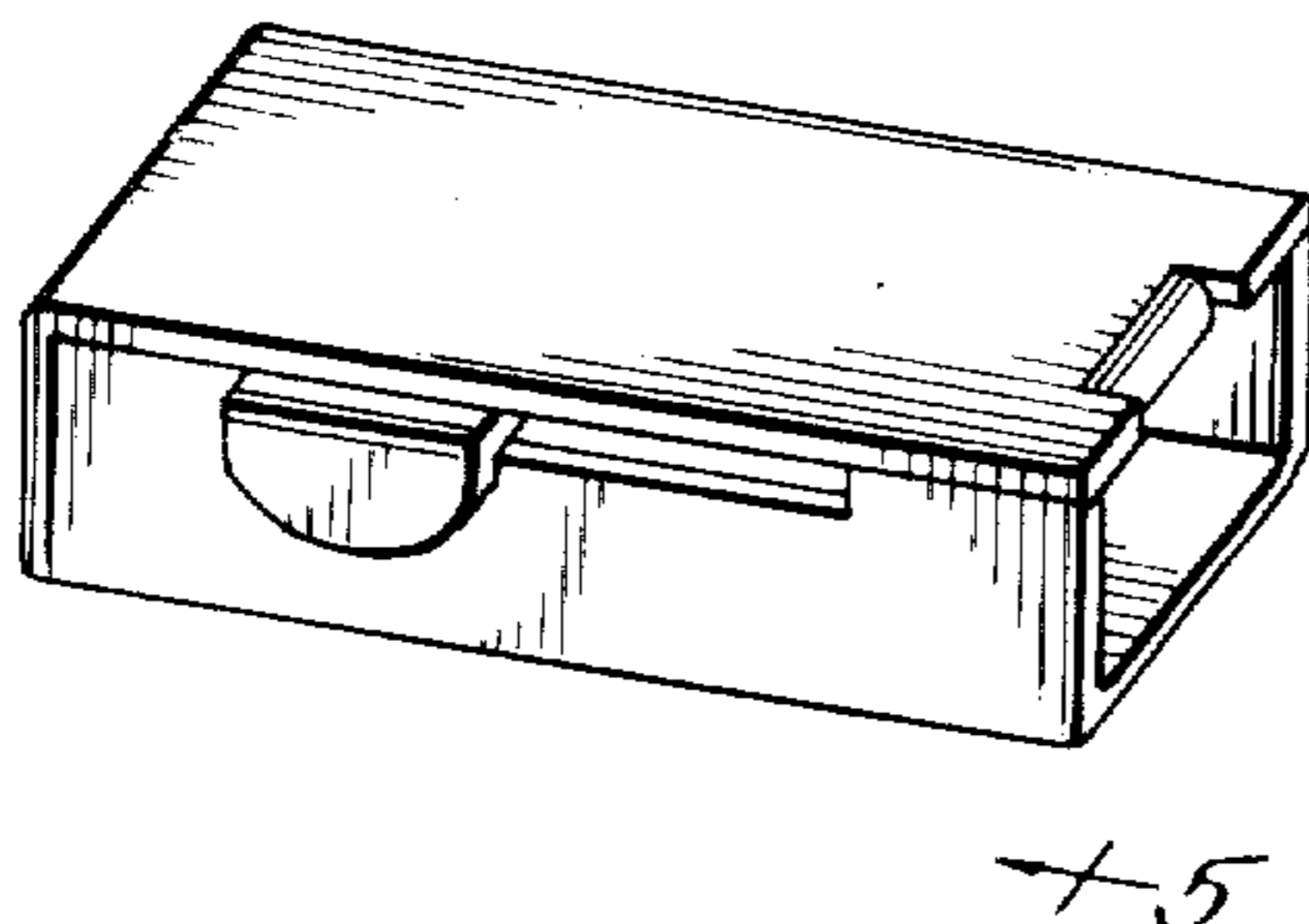


Fig. 1.

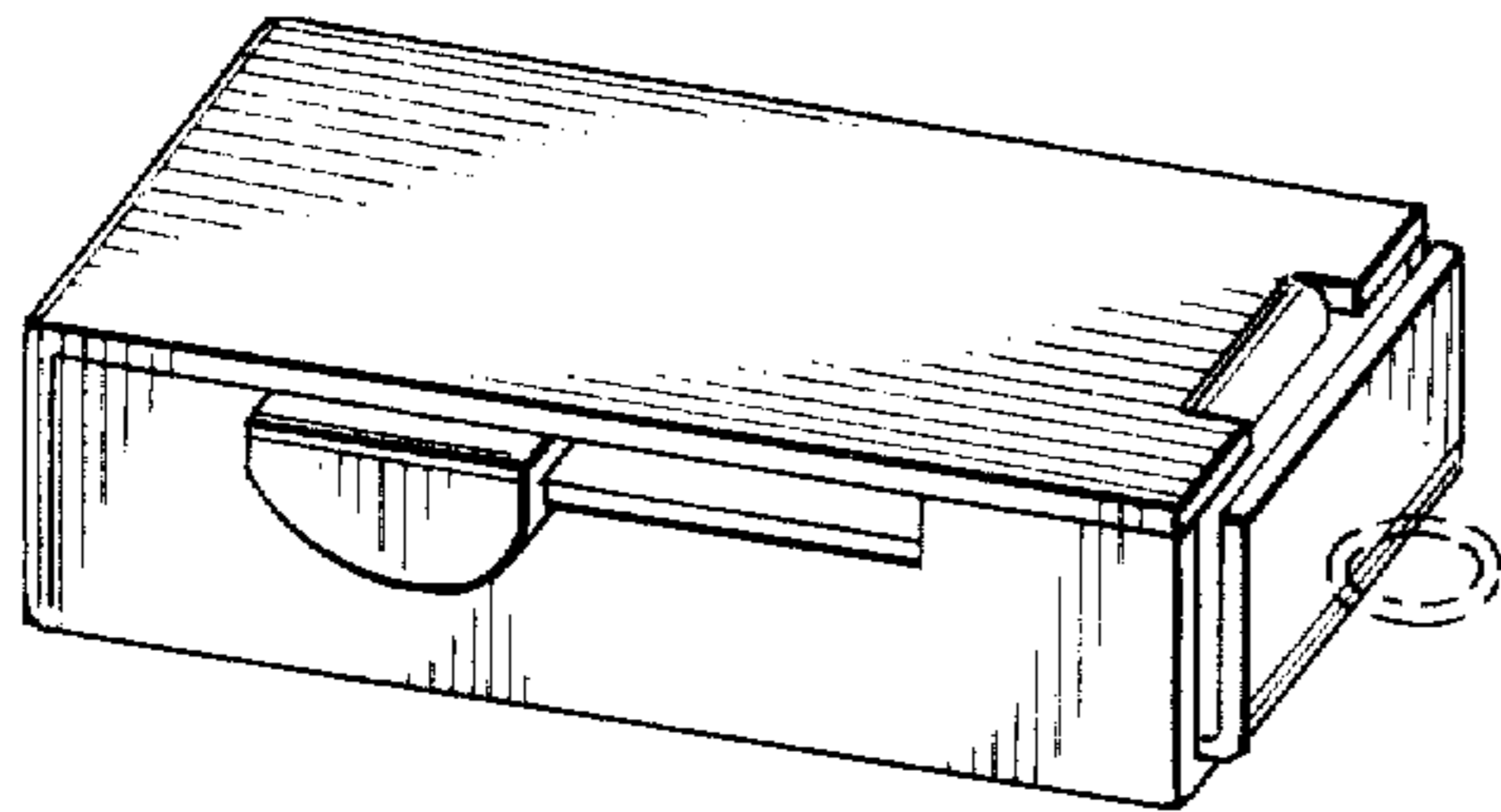


Fig. 2.

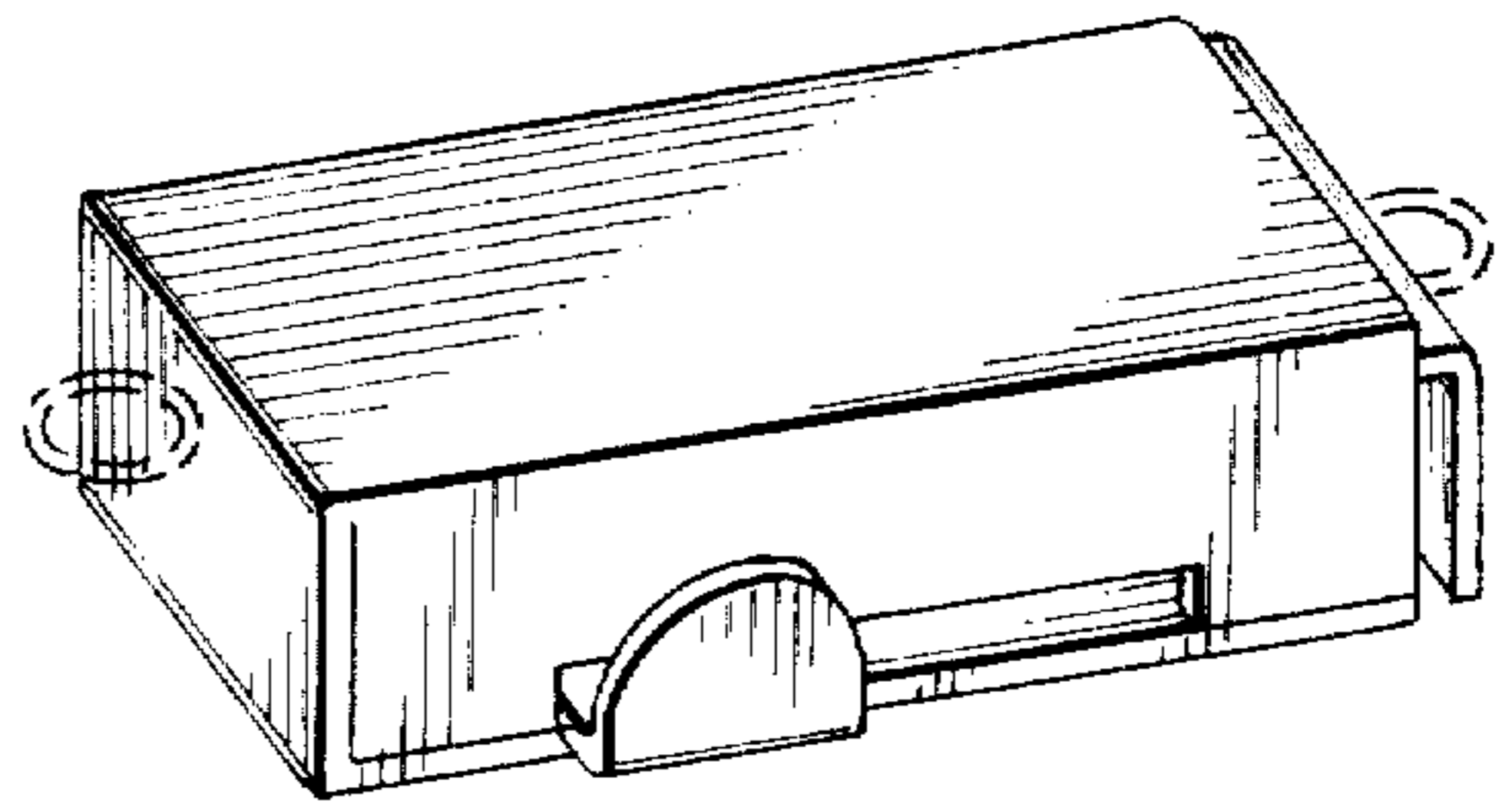


Fig. 3.

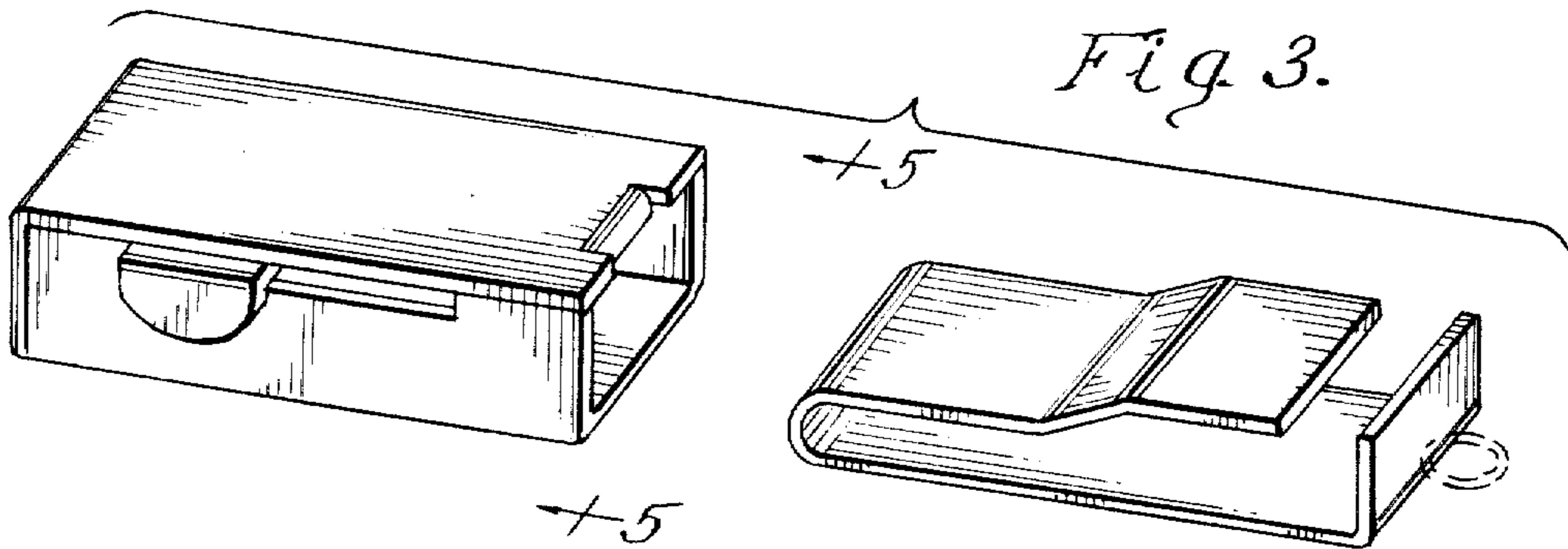


Fig. 4.

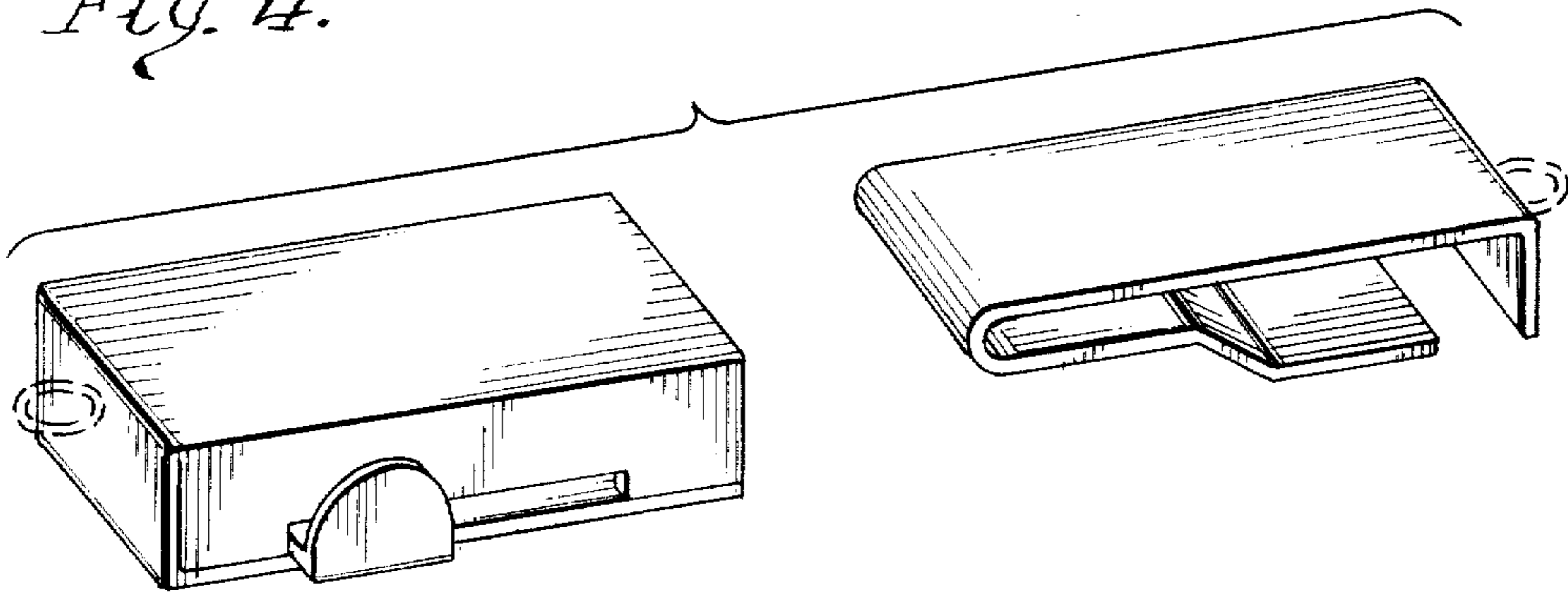


Fig. 5.

