

[54] JAR OR SIMILAR ARTICLE

[75] Inventor: David M. O'Toole, Lancaster, Ohio

[73] Assignee: Anchor Hocking Corporation, Lancaster, Ohio

[**] Term: 14 Years

[21] Appl. No.: 152,703

[22] Filed: May 23, 1980

[51] Int. Cl. D9-01

[52] U.S. Cl. D9/385; D9/386; D9/395; D9/412

[58] Field of Search D9/367, 384-386, D9/390-399, 403-413; 215/1 R, 1 C; D7/79

[56] References Cited

U.S. PATENT DOCUMENTS

- D. 258,566 3/1981 Potter D9/385
- D. 258,567 3/1981 O'Toole D9/385
- D. 258,570 3/1981 Pettengill D9/385

D. 260,365 8/1981 Plummer D9/386 X

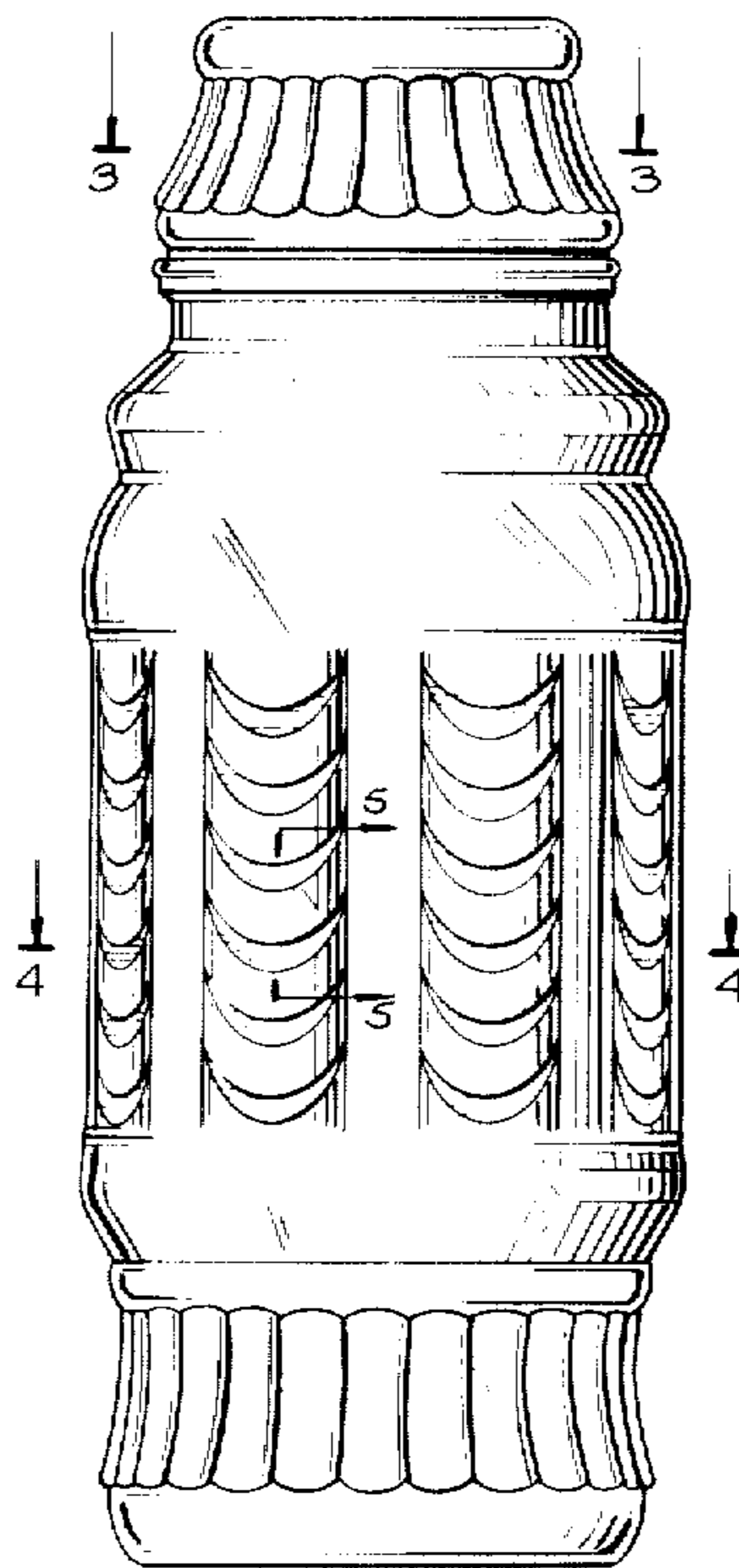
Primary Examiner—Robert C. Spangler
Attorney, Agent, or Firm—Holland, Armstrong, Wilkie & Previto

[57] CLAIM

The ornamental design for a jar or similar article, substantially as shown and described.

DESCRIPTION

FIG. 1 is an elevational view of a jar or similar article showing my new design;
 FIG. 2 is a top view thereof;
 FIG. 3 is a sectional view taken along line 3—3 of FIG. 1;
 FIG. 4 is a sectional view taken along line 4—4 of FIG. 1; and
 FIG. 5 is a sectional view taken along line 5—5 of FIG. 1; and
 FIG. 6 is a fragmentary exploded elevational view thereof.



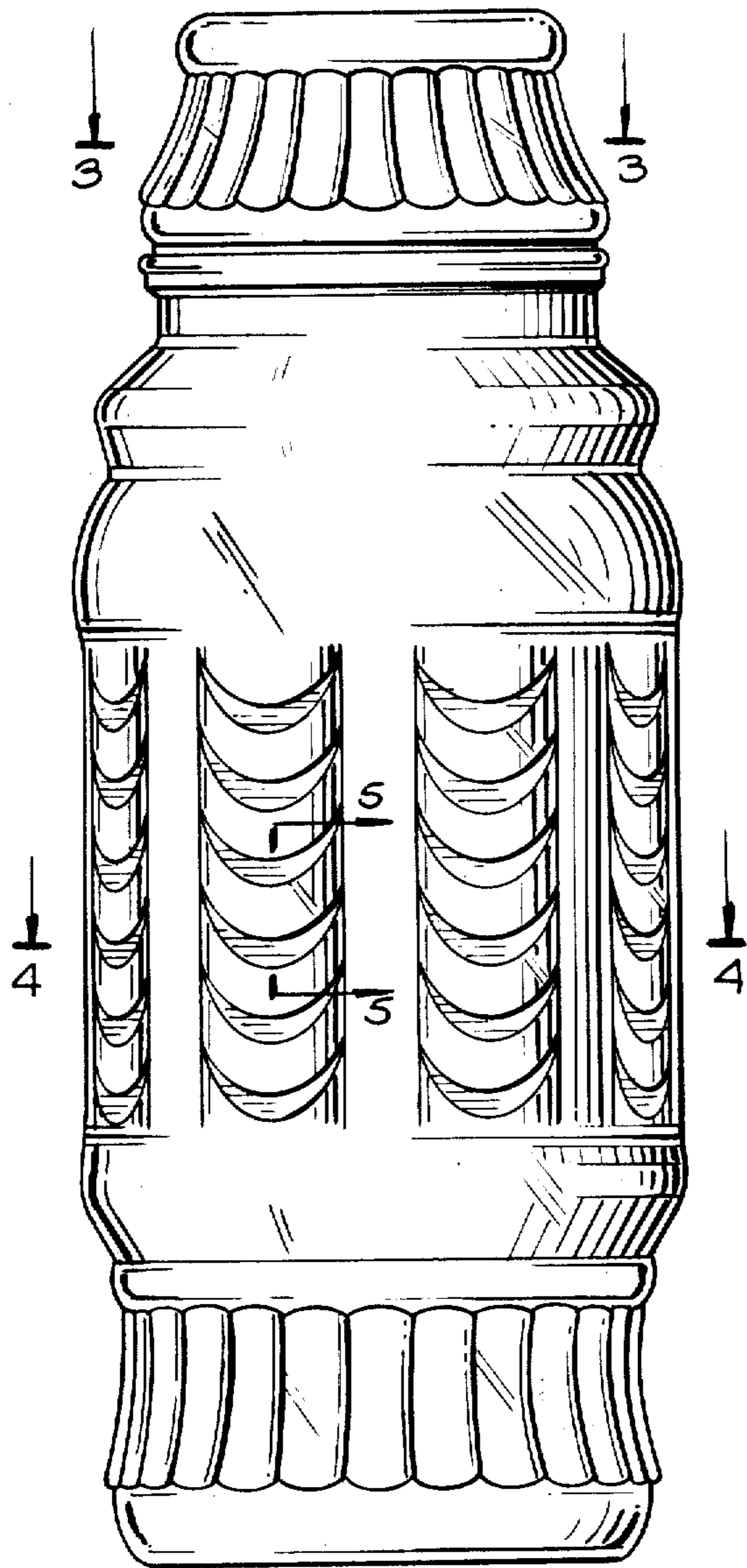


Fig. 1.

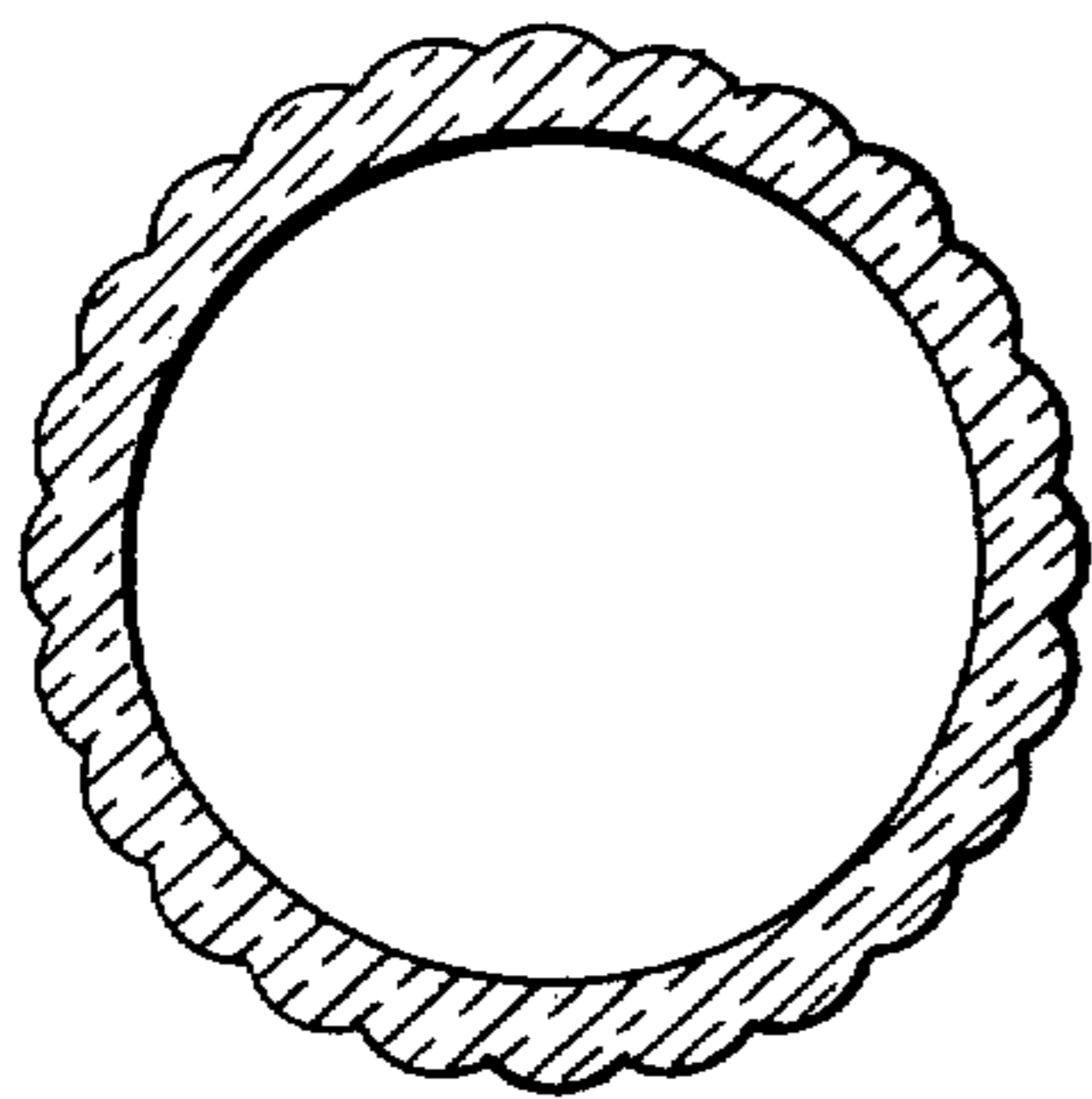


Fig. 2.

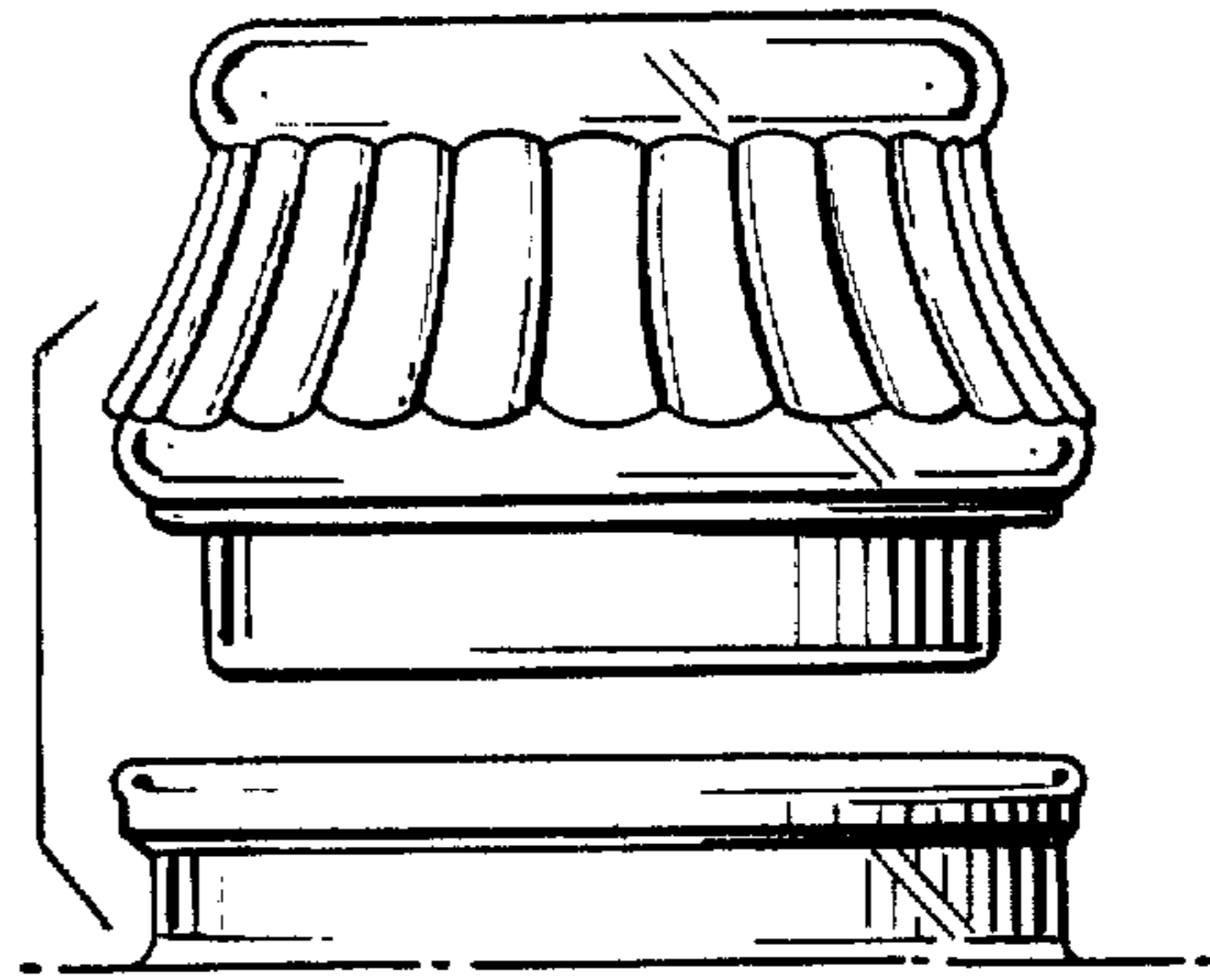


Fig. 3.

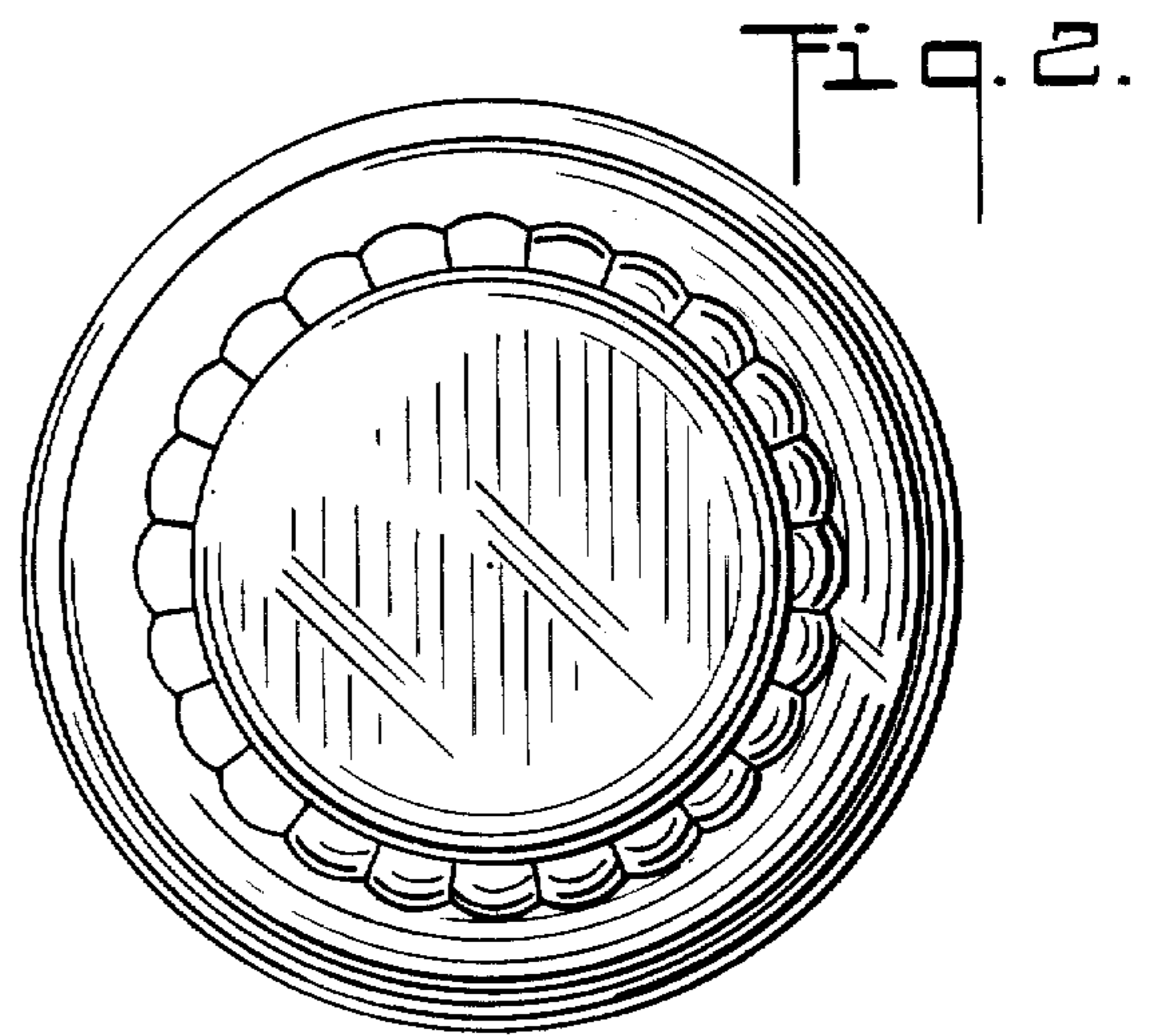


Fig. 4.

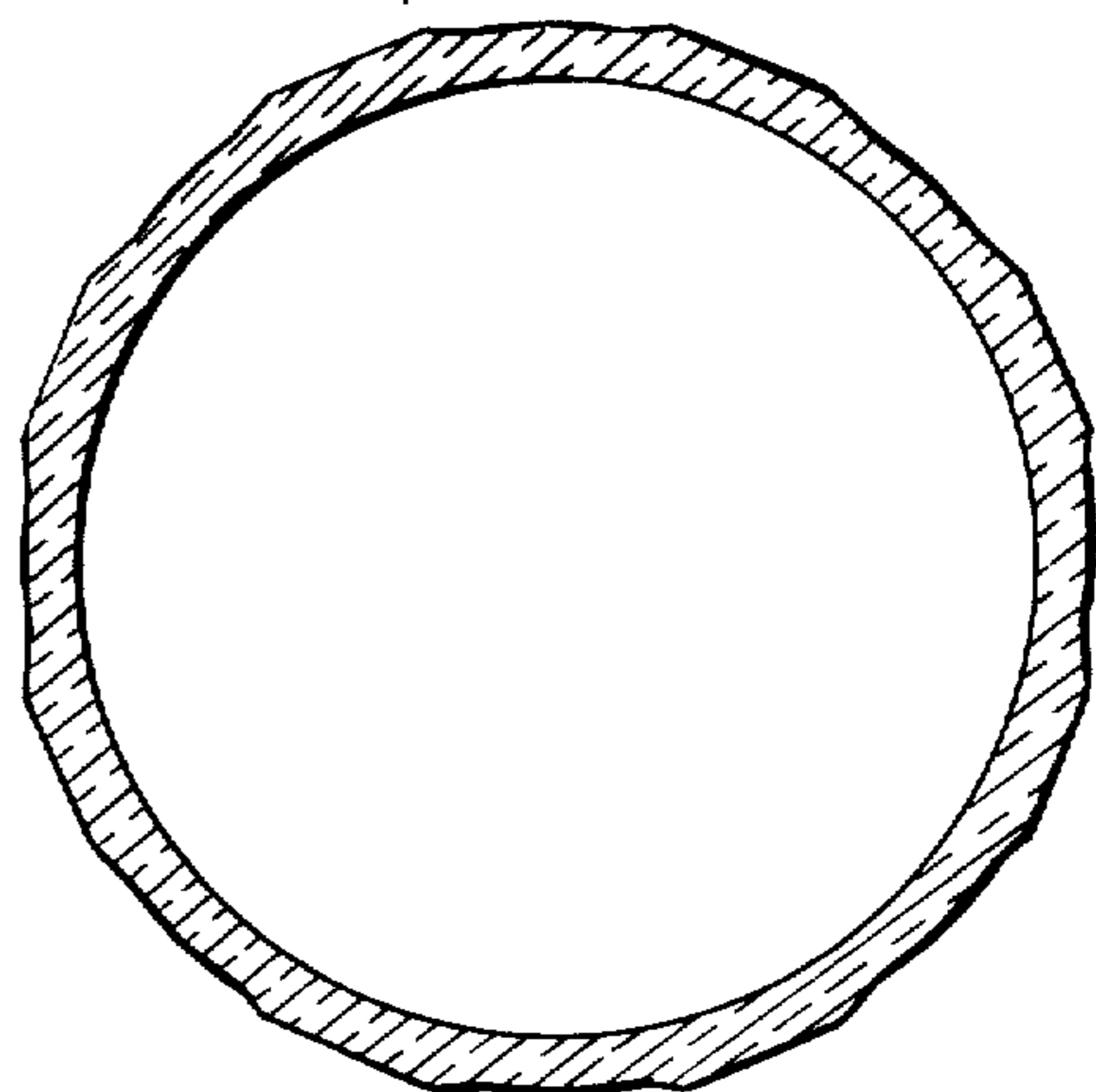


Fig. 5.