

[54] SCREW HOLDING CLIP FOR SCREW DRIVERS

1,782,565 11/1930 Dohnal 81/452
1,939,268 12/1933 Krull 81/458
1,990,244 2/1935 Morgan 81/456
3,730,237 5/1973 Hanzlik 81/456

[75] Inventors: Oscar B. Burgeson, Bristol; Richard W. Phelps, Deep River, both of Conn.

Primary Examiner—B. J. Bullock

[73] Assignee: The Stanley Works, New Britain, Conn.

[57] CLAIM

[**] Term: 14 Years

The ornamental design for a screw holding clip for screw drivers, as shown and described.

[21] Appl. No.: 128,045

DESCRIPTION

[22] Filed: Mar. 7, 1980

FIG. 1 is a perspective view of a screw holding clip for screw drivers showing our new design;
FIG. 2 is an enlarged side elevational view thereof, the side opposite being a mirror image;
FIG. 3 is an enlarged rear elevational view thereof;
FIG. 4 is an enlarged front elevational view thereof;
FIG. 5 is an enlarged top plan view thereof;
FIG. 6 is an enlarged bottom plan view thereof;
FIG. 7 is a perspective view of a second embodiment of the design of FIG. 1, the only difference being an increase in size;
FIG. 8 is a perspective view of a third embodiment of the design of FIG. 1, the only difference being a further increase in size.

[51] Int. Cl. D8—08; D8—04

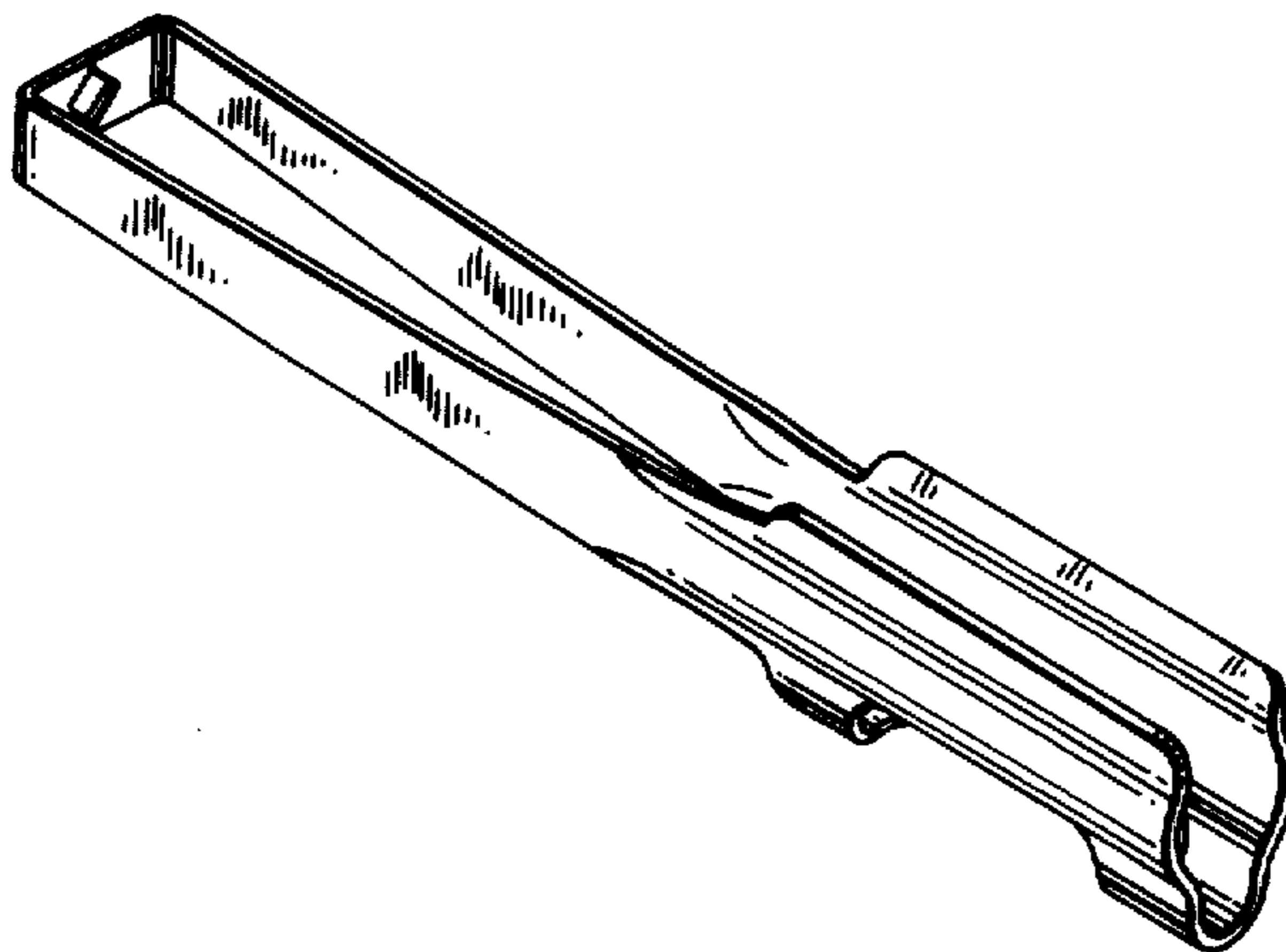
[52] U.S. Cl. D8/395; D8/82; D8/396

[58] Field of Search D8/82, 395, 396, 354; 81/451, 452, 453, 454, 455, 456, 458; 24/3 J, 3 L, 10 R

[56] References Cited

U.S. PATENT DOCUMENTS

864,633 8/1907 Fegley et al. 81/453
896,107 8/1908 Harrison 81/452



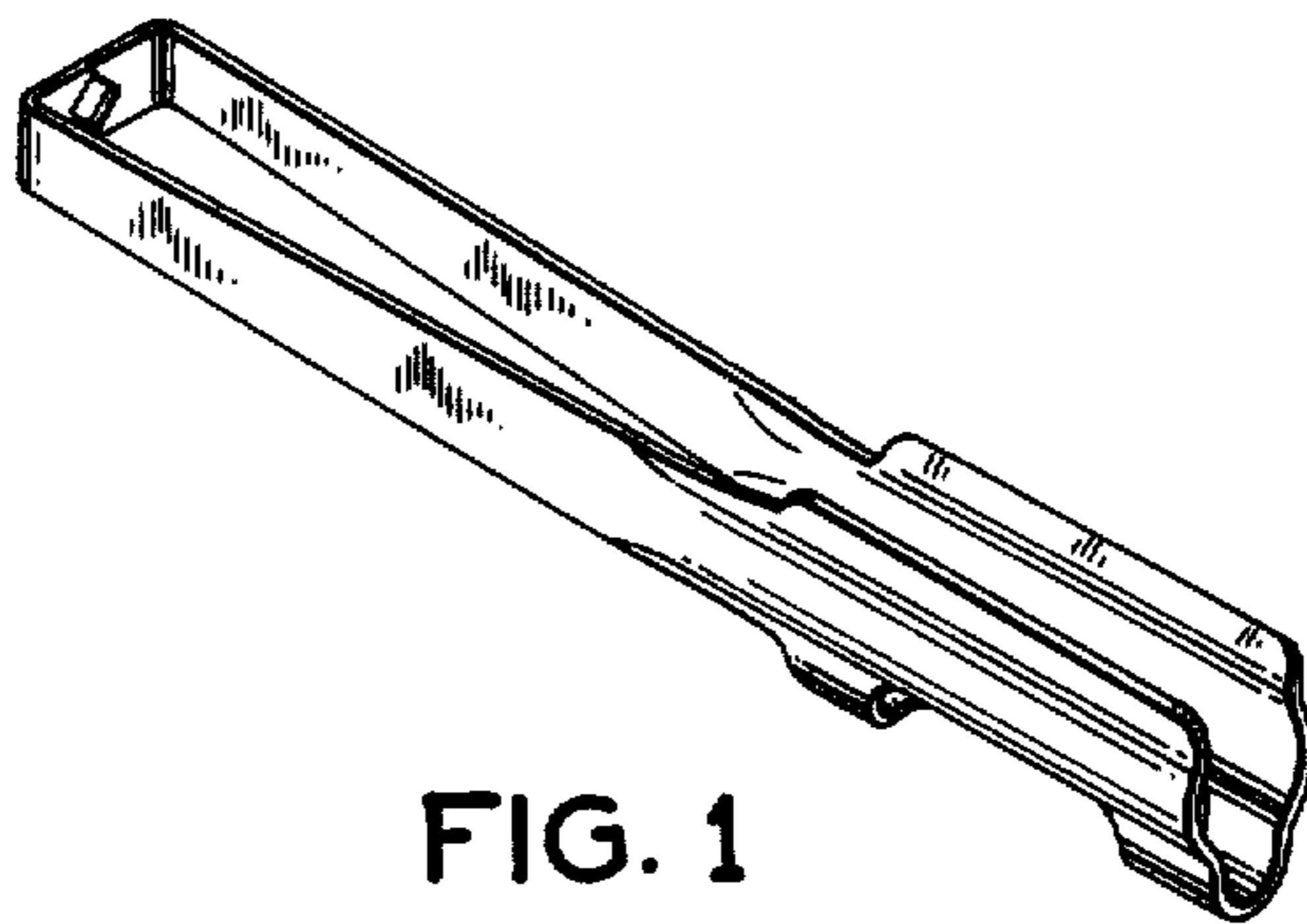


FIG. 1

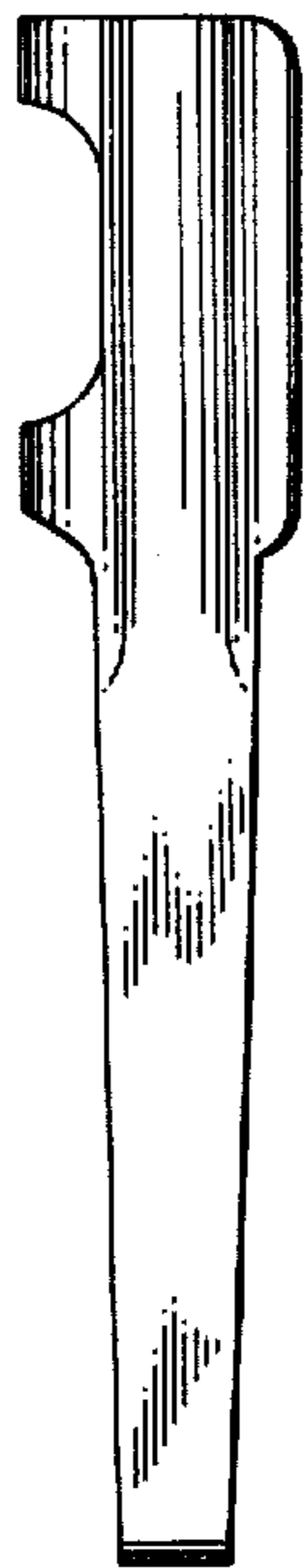


FIG. 2



FIG. 3

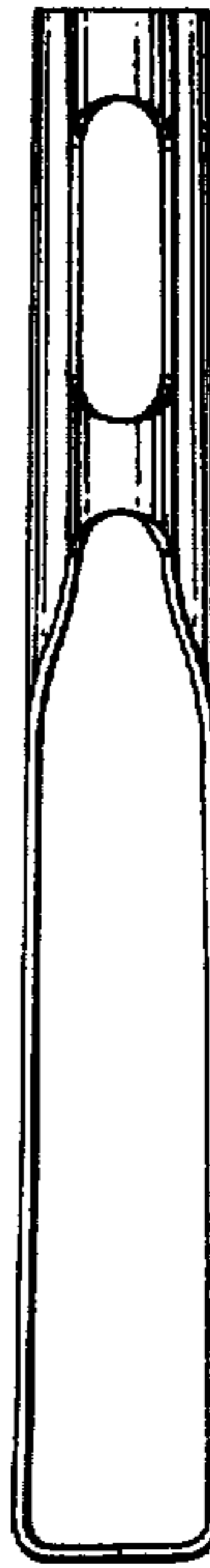


FIG. 4



FIG. 5

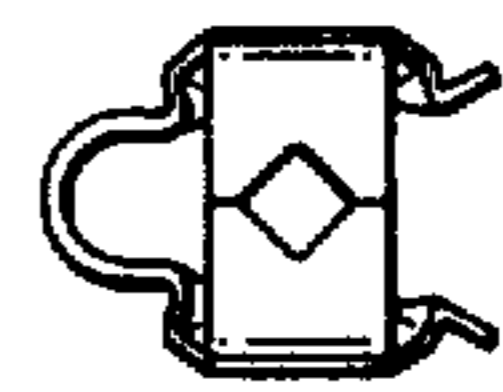


FIG. 6

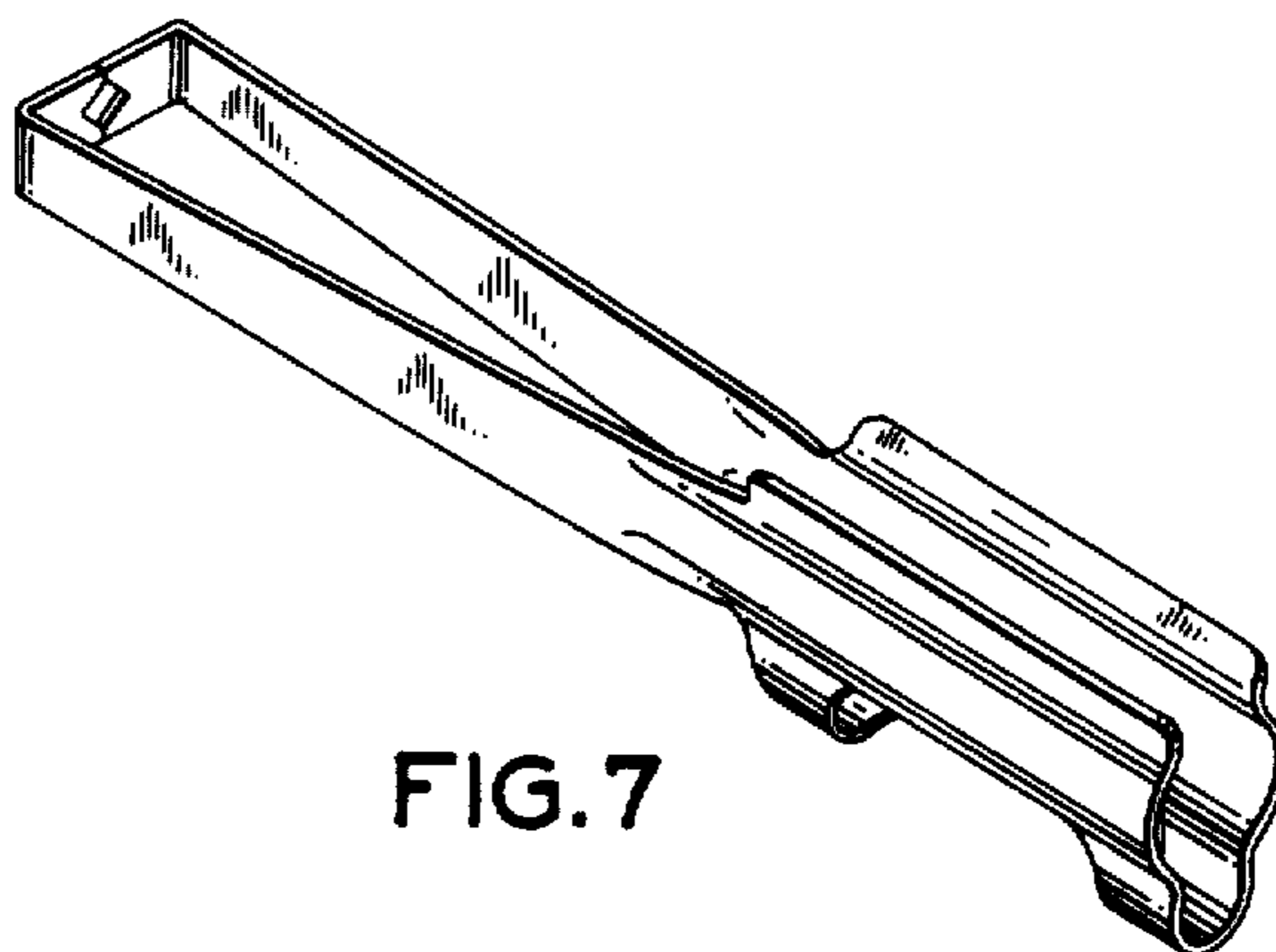


FIG. 7

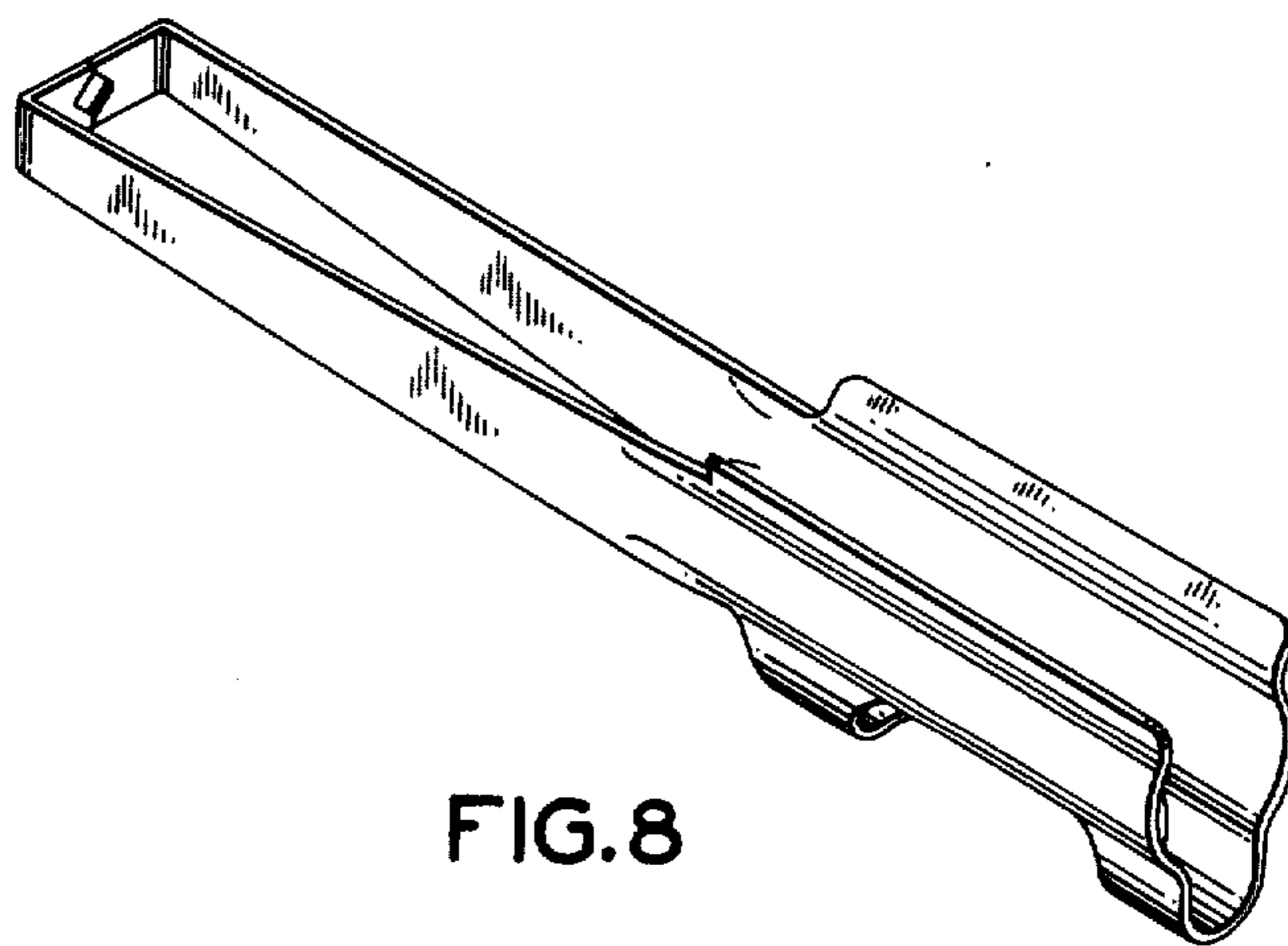


FIG. 8