

[54] CUTTER KNIFE

[75] Inventor: Naoyoshi Machida, Seki, Japan
 [73] Assignee: Kai Cutlery Center Co., Ltd., Gifu, Japan
 [**] Term: 7 Years
 [21] Appl. No.: 127,966
 [22] Filed: Mar. 7, 1980

[30] Foreign Application Priority Data

Oct. 22, 1979 [JP] Japan 54-44361

[51] Int. Cl. D8-03

[52] U.S. Cl. D8/99; D24/28

[58] Field of Search D8/99; D24/28; 30/162, 30/320, 329, 335, 337; 128/305

[56] References Cited

U.S. PATENT DOCUMENTS

D. 240,500	7/1976	Richards	D8/99
D. 258,043	1/1981	Grégoire	D8/99
4,063,356	12/1977	Hepworth	30/320 X
4,226,020	10/1980	Quenot et al.	30/162

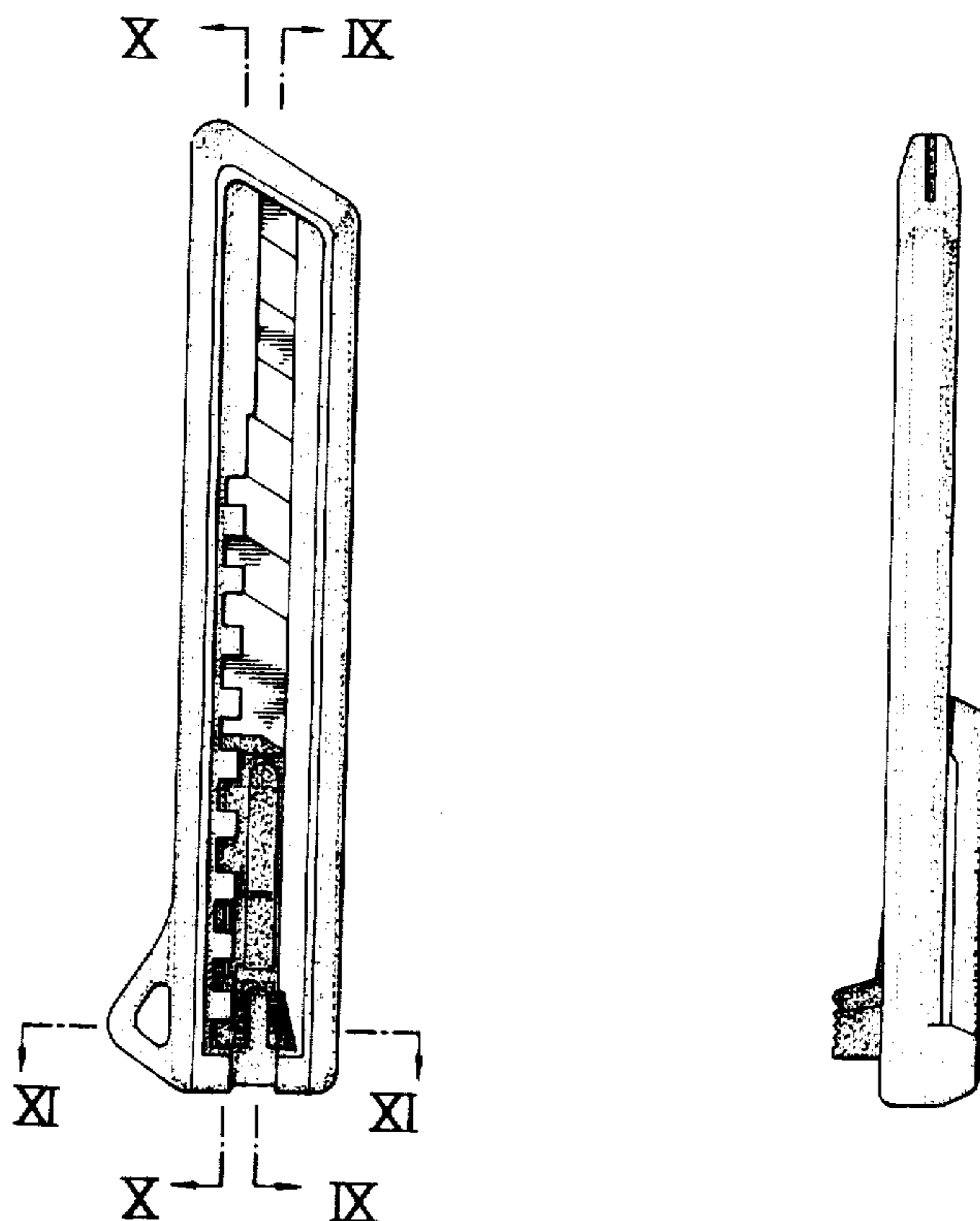
Primary Examiner—Alan P. Douglas
 Attorney, Agent, or Firm—Norbert P. Holler

[57] CLAIM

The ornamental design for a cutter knife, as shown and described.

DESCRIPTION

FIG. 1 is a front elevational view of a cutter knife showing my new design,
 FIG. 2 is a rear elevational view thereof,
 FIG. 3 is a right side elevational view thereof,
 FIG. 4 is a left side elevational view thereof,
 FIG. 5 is a top plan view thereof,
 FIG. 6 is a bottom plan view thereof,
 FIG. 7 is a front elevational view thereof putting out its blade,
 FIG. 8 is a sectional view taken from line VIII in FIG. 4,
 FIG. 9 is a sectional view taken from line IX in FIG. 1,
 FIG. 10 is a sectional view taken from line X in FIG. 1, and
 FIG. 11 is a sectional view taken from line XI in FIG. 1.



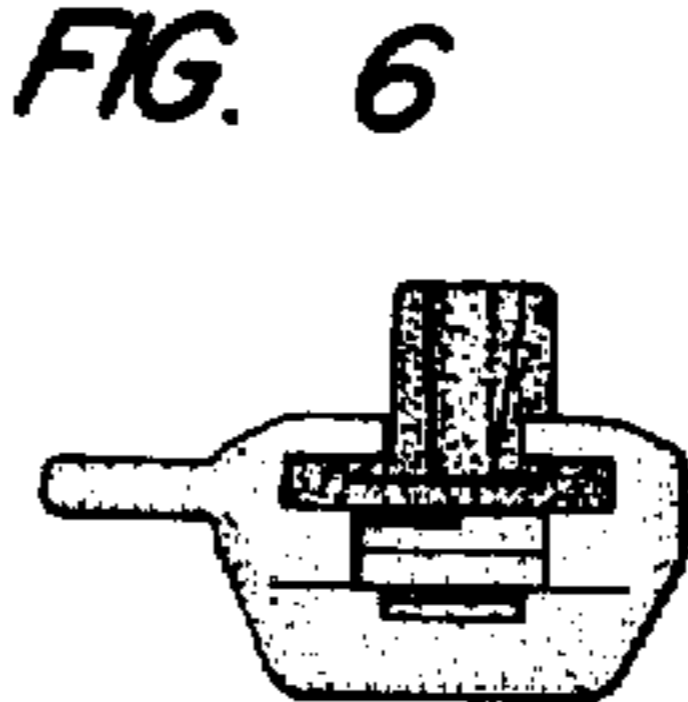
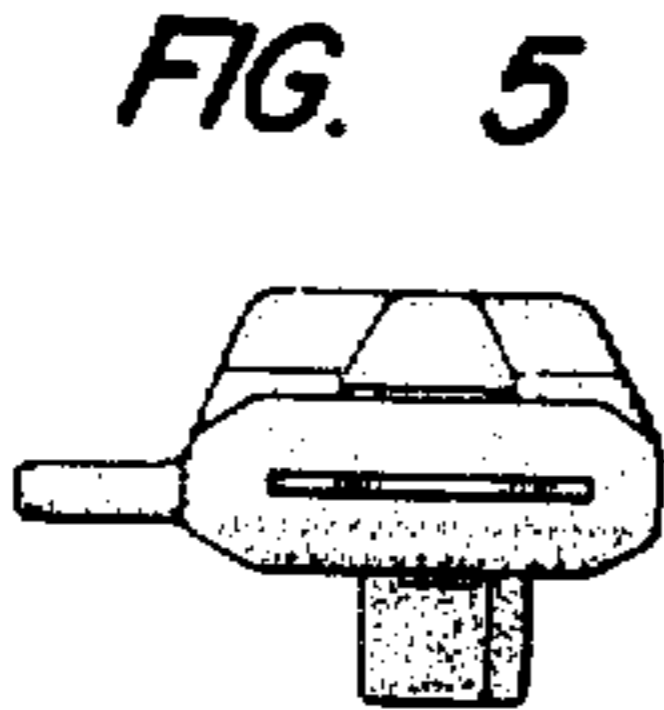
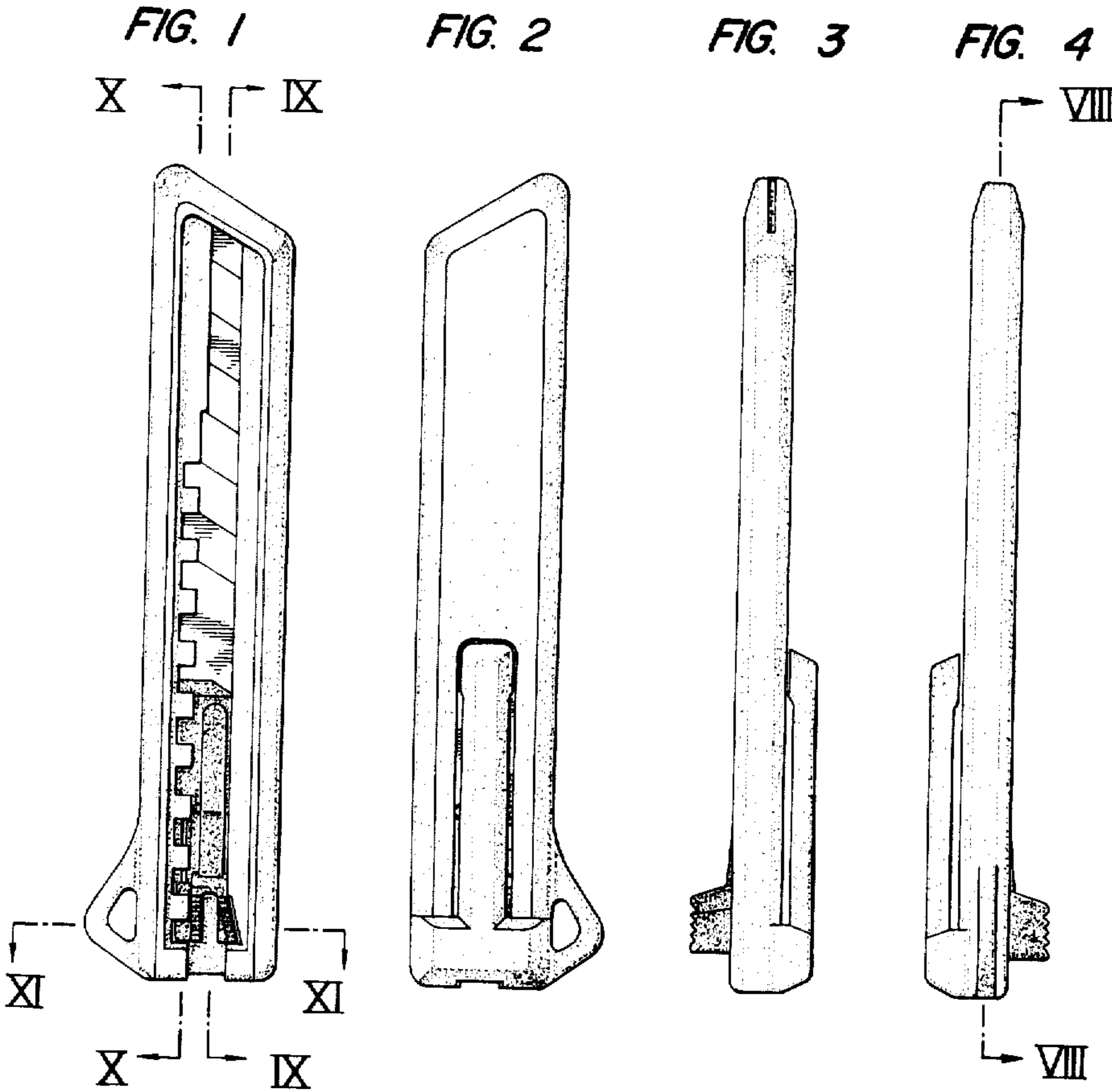


FIG. 7

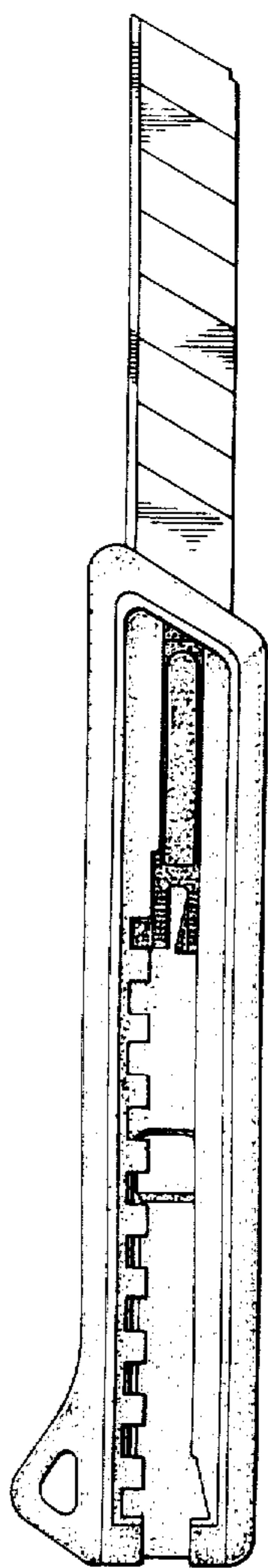


FIG. 8

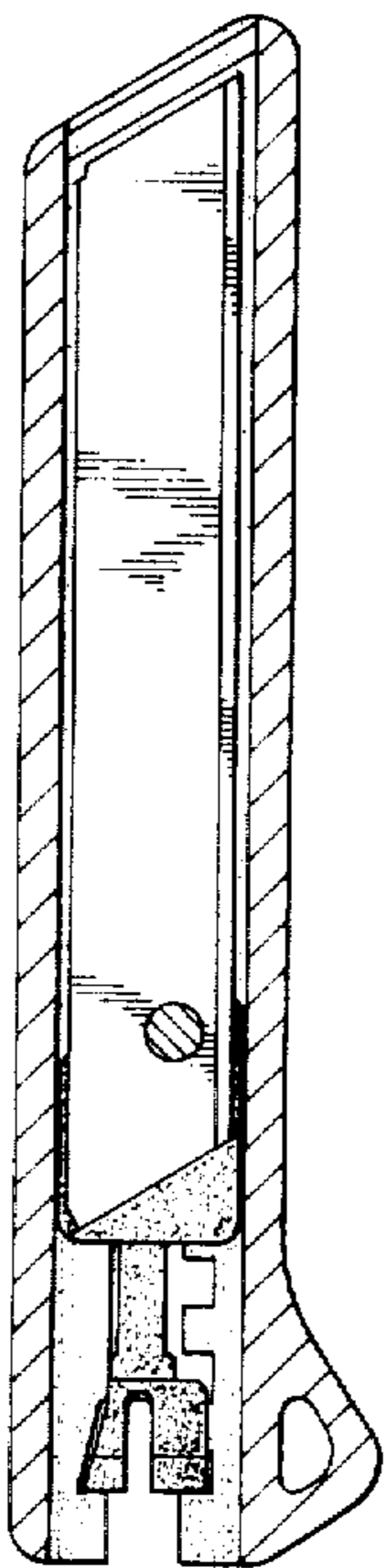


FIG. 9

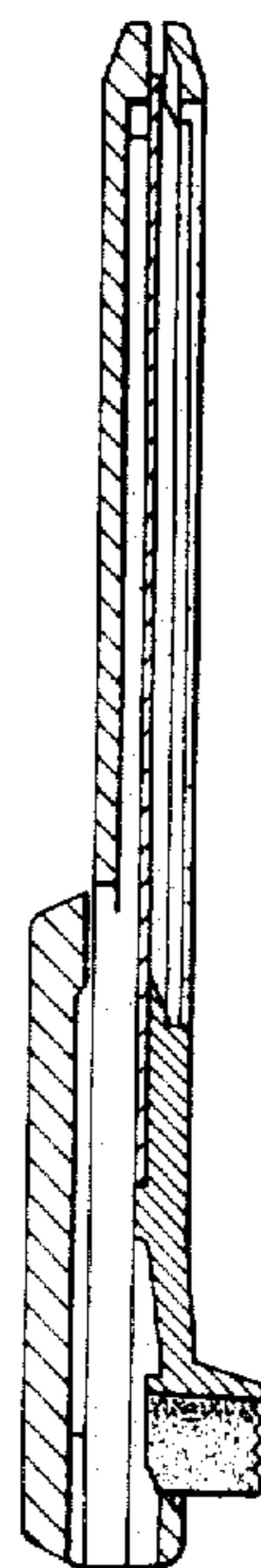


FIG. 10

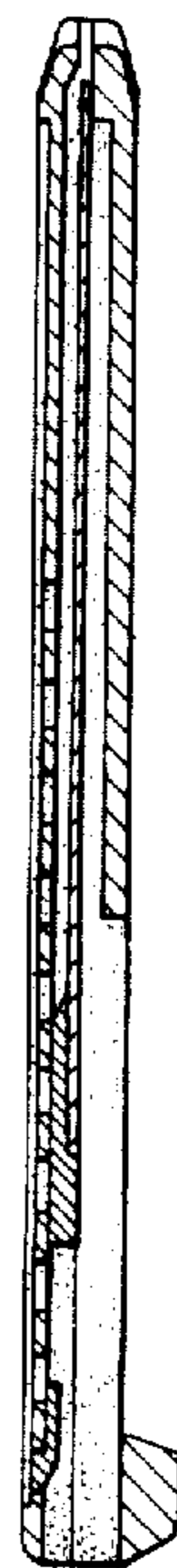


FIG. 11

