

[54] WRENCH

[76] Inventors: Steven E. Frick, Box 2011, Houston, Tex. 77001; Douglas R. Merritt, C-2 Lawrence Apts., West Dr., Princeton, N.J. 08540

[**] Term: 14 Years

[21] Appl. No.: 136,107

[22] Filed: Mar. 31, 1980

[51] Int. Cl. D8-05

[52] U.S. Cl. D8/17

[58] Field of Search D8/17, 21, 27, 28; 81/121 R

[56] References Cited

U.S. PATENT DOCUMENTS

D. 248,613	7/1978	Pace et al.	D8/17
1,529,075	3/1925	McIntyre	D8/17 X
1,684,215	9/1928	Connell	81/121 R
2,769,360	11/1956	Cottrell	81/121 R
2,858,710	11/1958	Landwehr	81/121 R

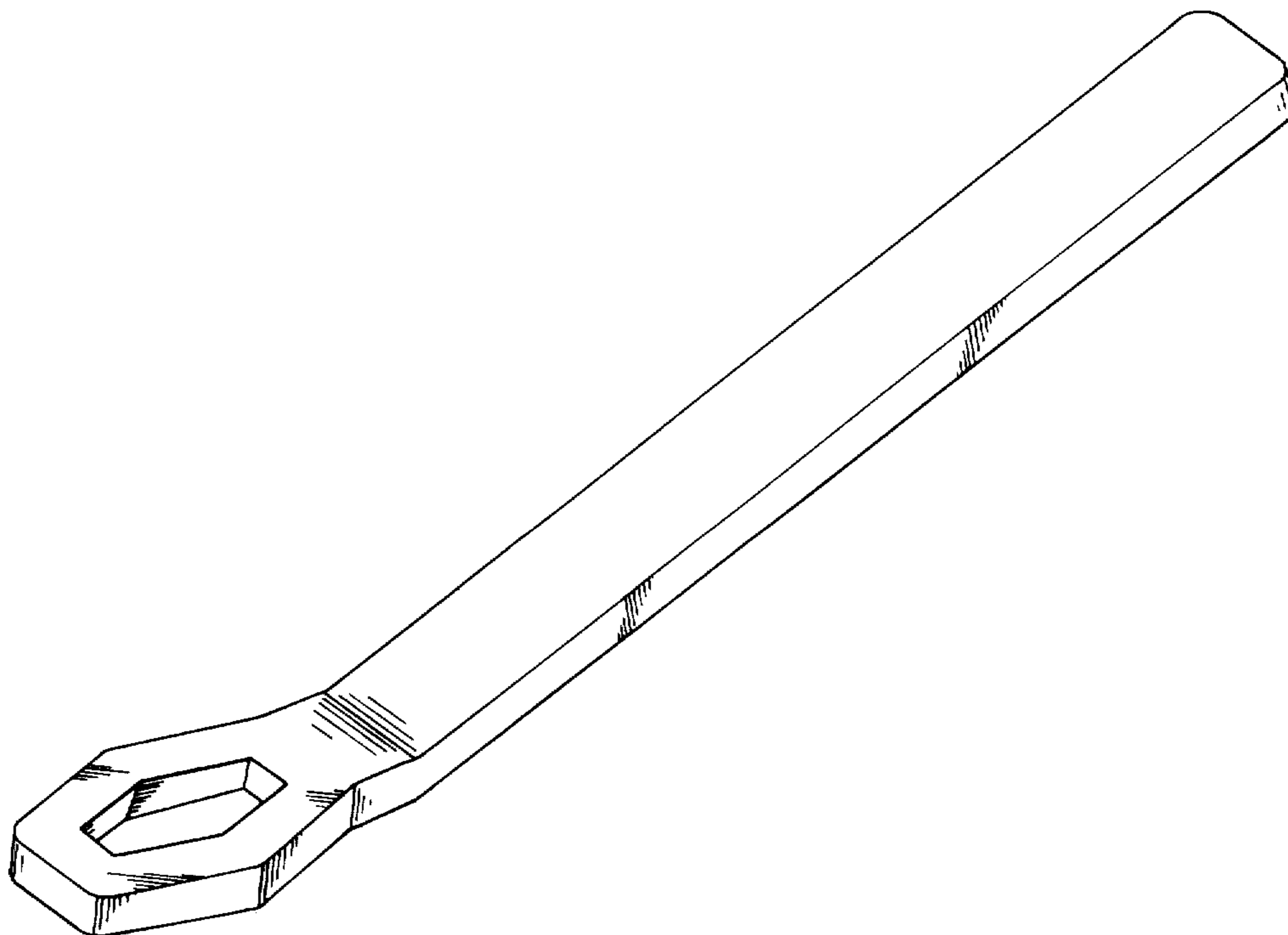
Primary Examiner—Alan P. Douglas
Attorney, Agent, or Firm—Bernard A. Reiter

[57] CLAIM

The ornamental design for a wrench, as shown and described.

DESCRIPTION

FIG. 1 is an isometric view of the invention showing the front, top and one side thereof;
FIG. 2 is an isometric view showing the bottom, rear and one side thereof;
FIG. 3 is a front elevation view.



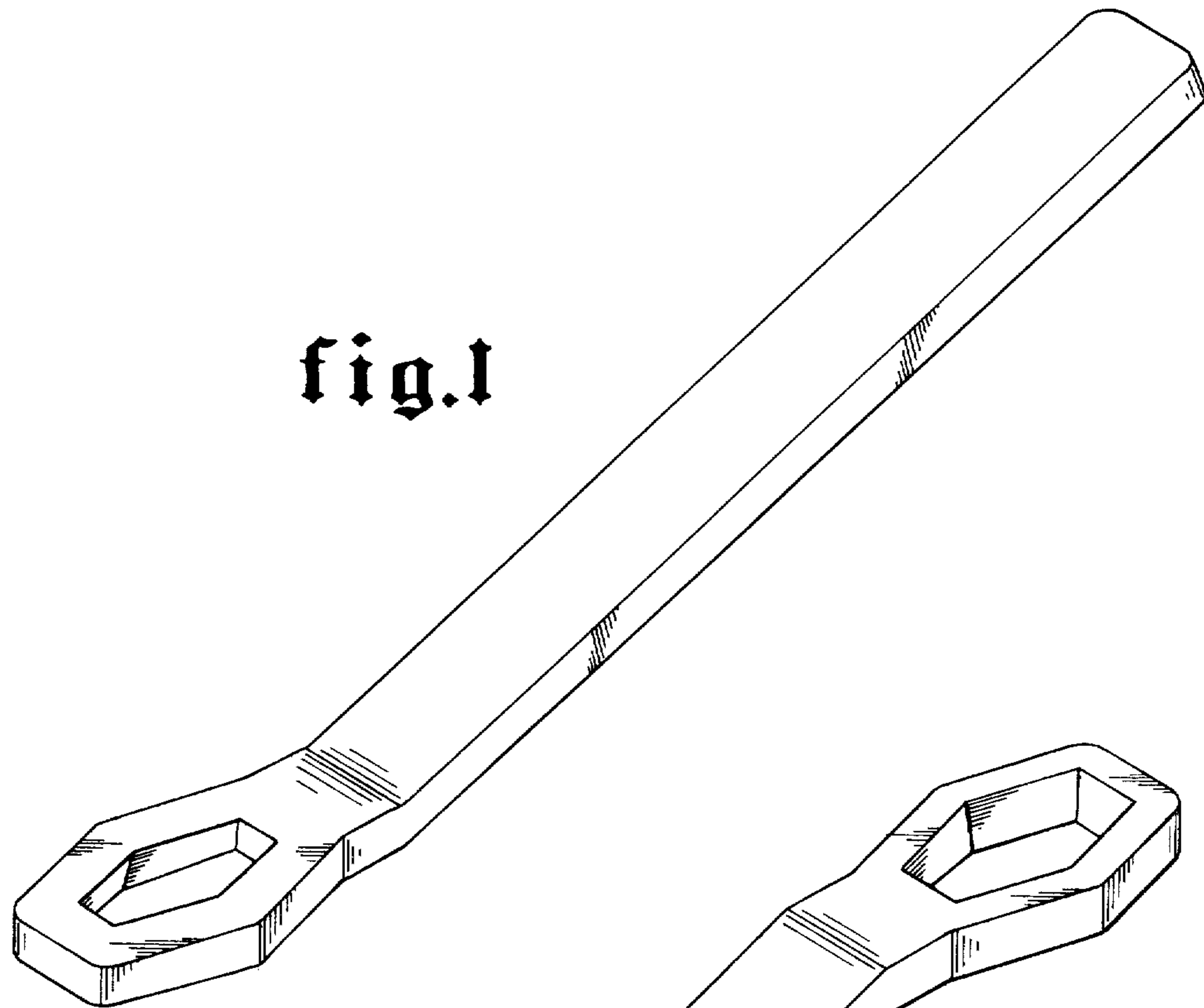


fig.1

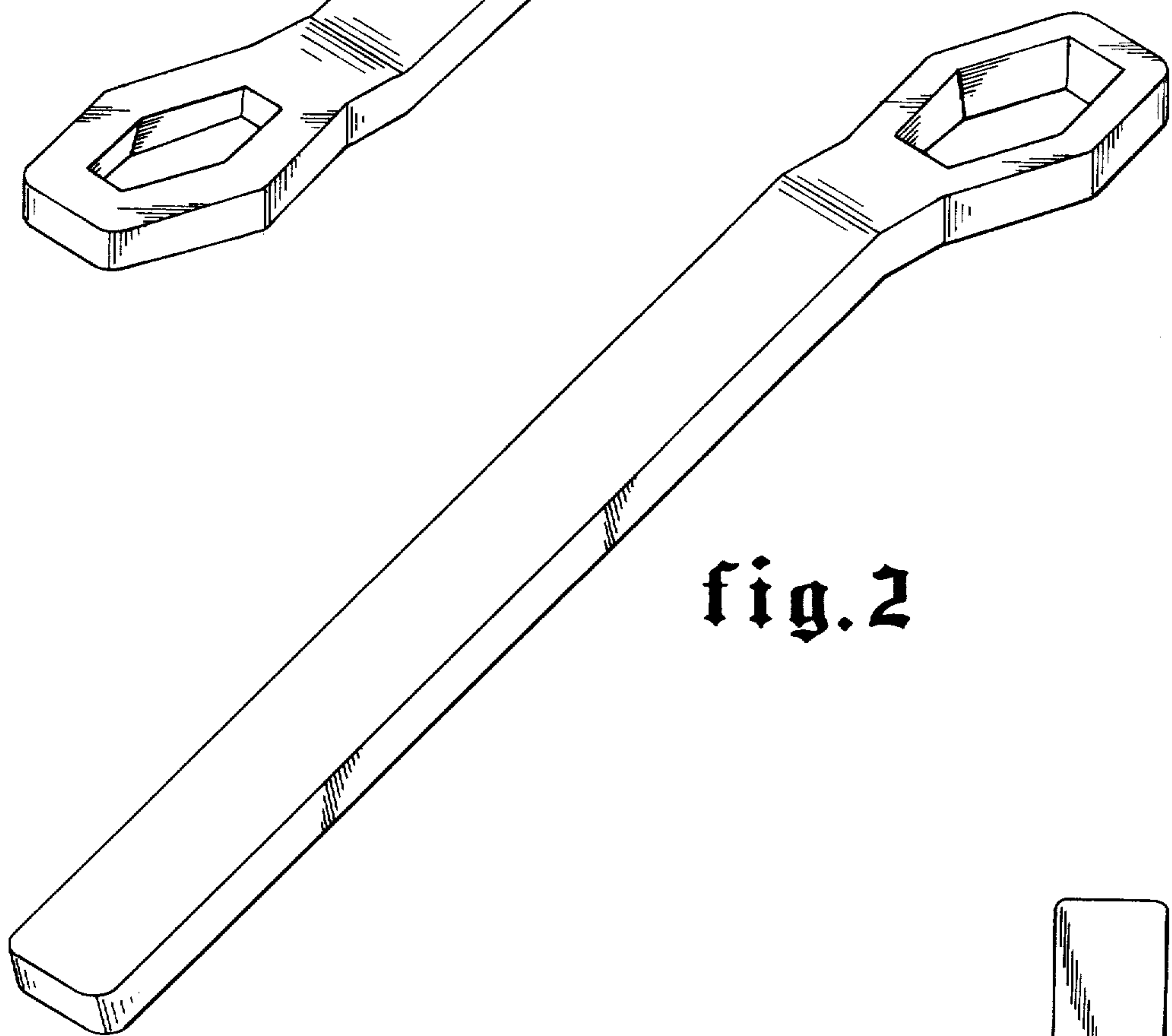


fig.2

fig.3

