

[54] COMBINED FOOD STORAGE AND SERVICE DISH

[75] Inventor: Rino Conti, Stoughton, Mass.
[73] Assignee: Dart Industries Inc., Northbrook, Ill.
[**] Term: 14 Years
[21] Appl. No.: 11,247
[22] Filed: Feb. 12, 1979

[51] Int. Cl. D07-01
[52] U.S. Cl. D7/1; D9/424;
D9/431; D34/40
[58] Field of Search 47/66, 67, 68, 71, 73;
D11/155, 156, 143; D7/37, 1, 3, 41; D9/219,
242, 243; 220/23.8, 74; 206/519, 520, 518, 515;
229/2.5; D3/67

[56] References Cited

U.S. PATENT DOCUMENTS

D. 252,869 9/1979 Dziejewski D11/156 X
2,463,719 3/1949 Schackett et al. 47/66
2,780,259 2/1957 Nalle, Jr. D9/219 X
4,092,804 6/1978 Morris et al. 47/66

OTHER PUBLICATIONS

Thomas Mills & Brother, Inc., p. 210, from 1924 Cat. of

Confectioners' Tools & Machinery, Counter Pans Fig. 276.

Primary Examiner—Winifred E. Herrmann
Attorney, Agent, or Firm—John A. Doninger

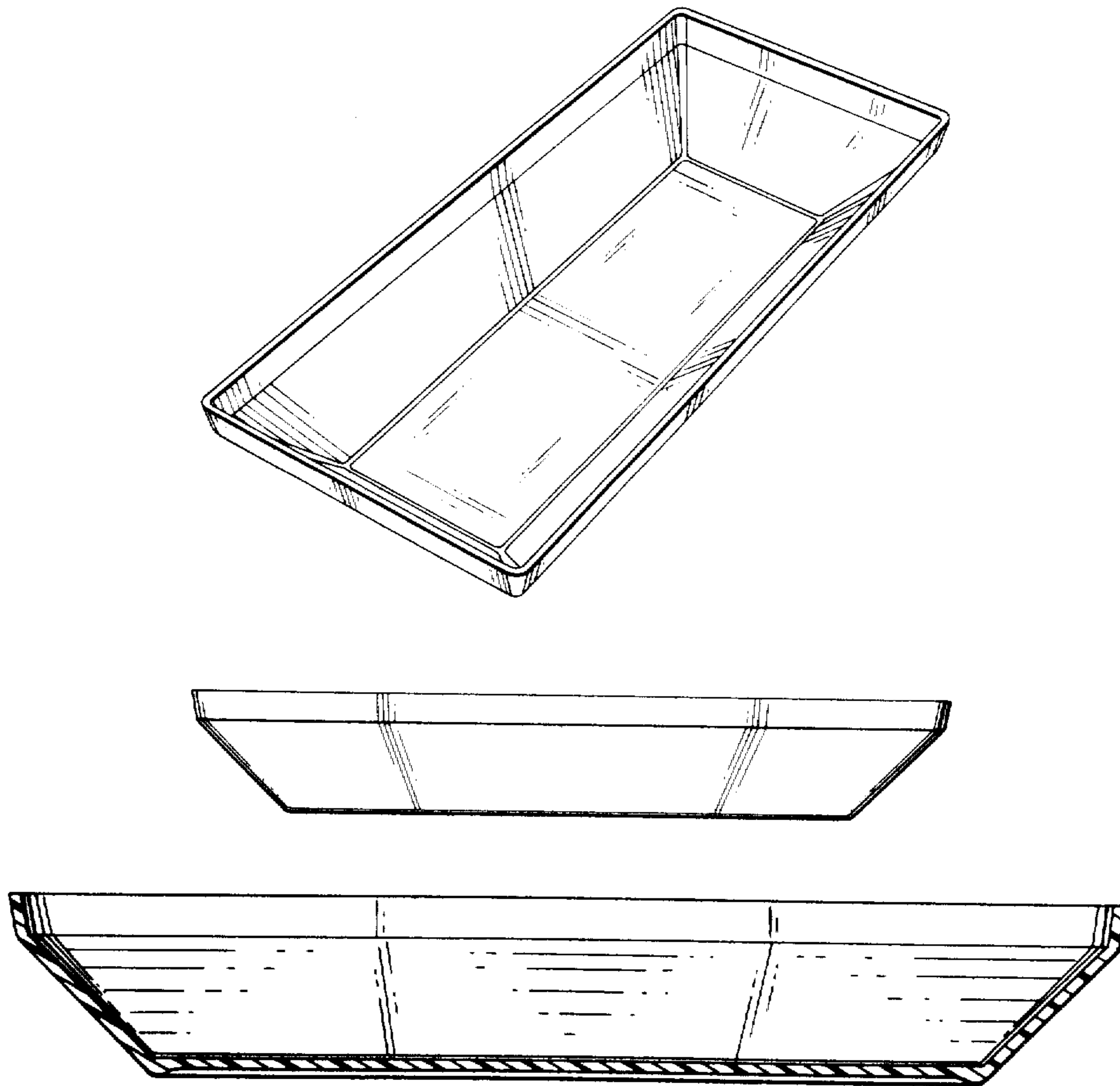
[57] CLAIM

The ornamental design for a combined food storage and service dish, substantially as shown and described.

DESCRIPTION

FIG. 1 is a top perspective view of a combined food storage and service dish showing my new design; FIG. 2 is a side elevational view thereof; FIG. 3 is a top plan view thereof; FIG. 4 is a bottom plan view thereof; FIG. 5 is an end elevational view thereof; FIG. 6 is a cross-sectional view thereof taken along line 6-6 of FIG. 3; and FIG. 7 is a cross-sectional view thereof taken along line 7-7 of FIG. 3.

The design is characterized by a side wall comprising a generally planar outwardly angled upper side wall portion of substantially lesser vertical extent than the sharply inwardly angled lower side wall portion.



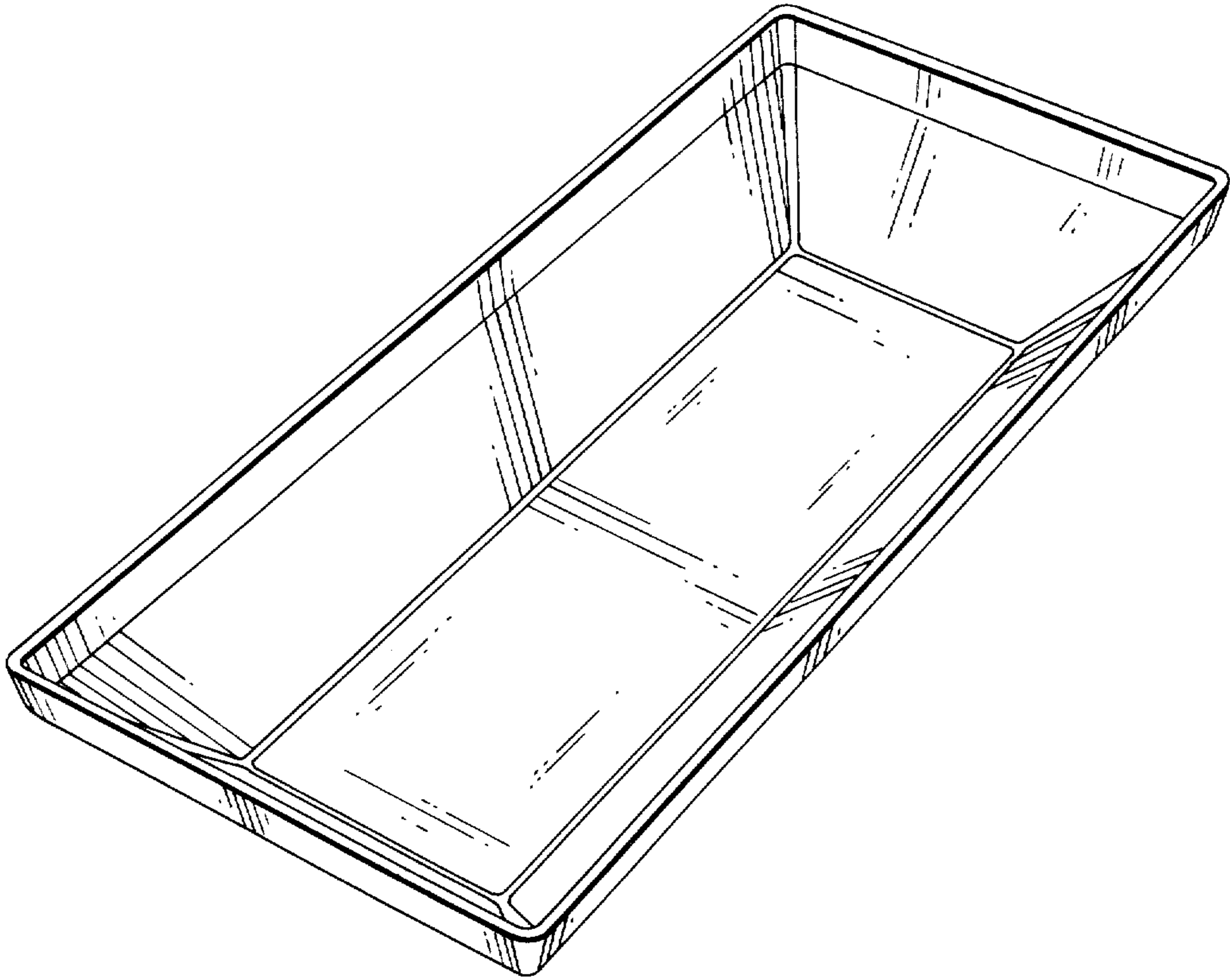


FIG. 1

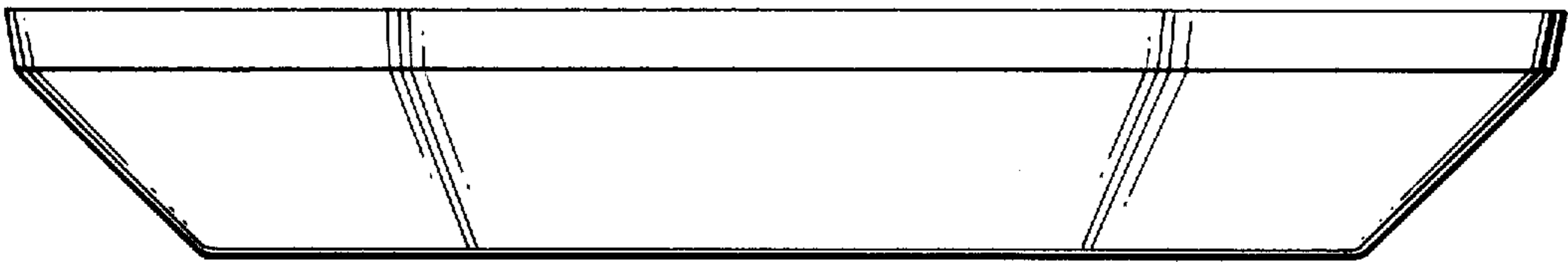


FIG. 2

← 6

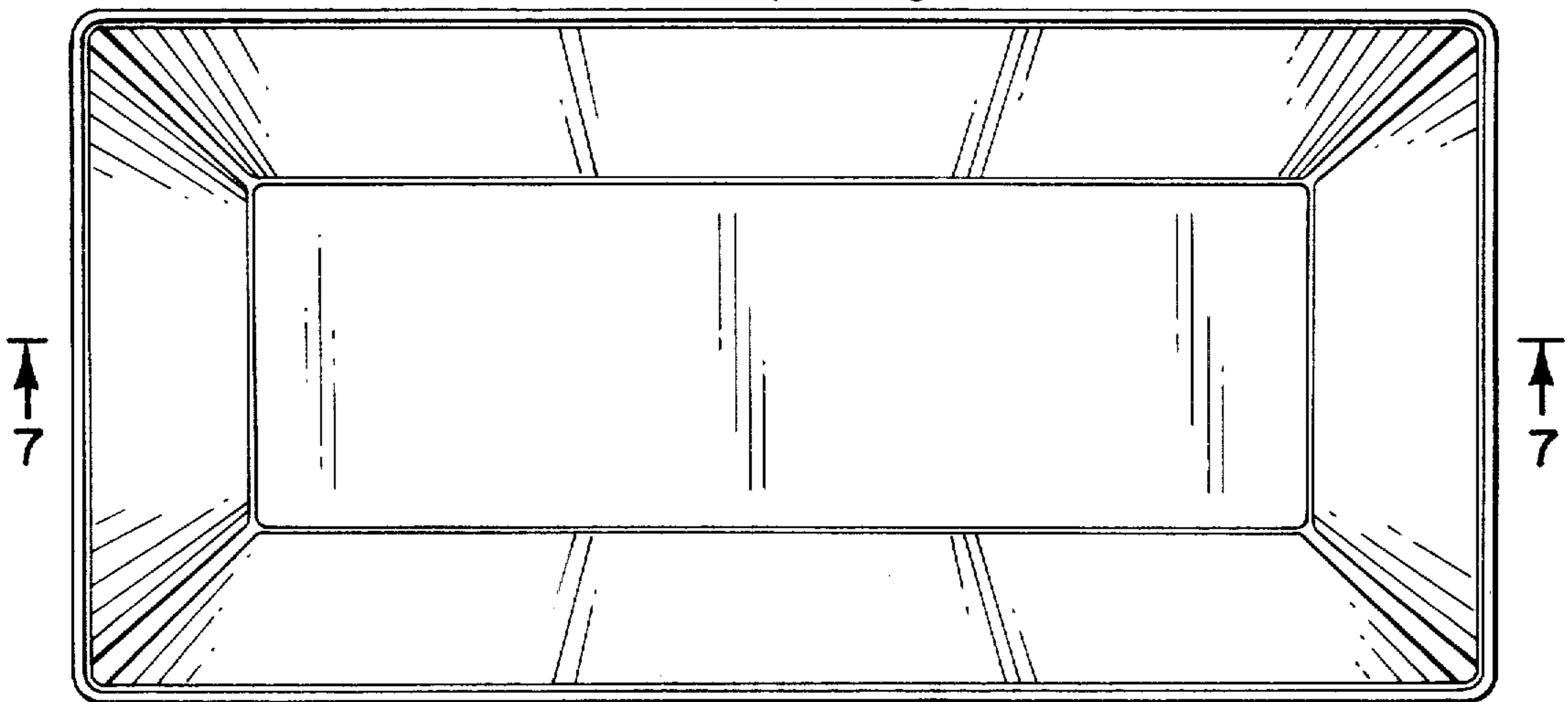


FIG. 3

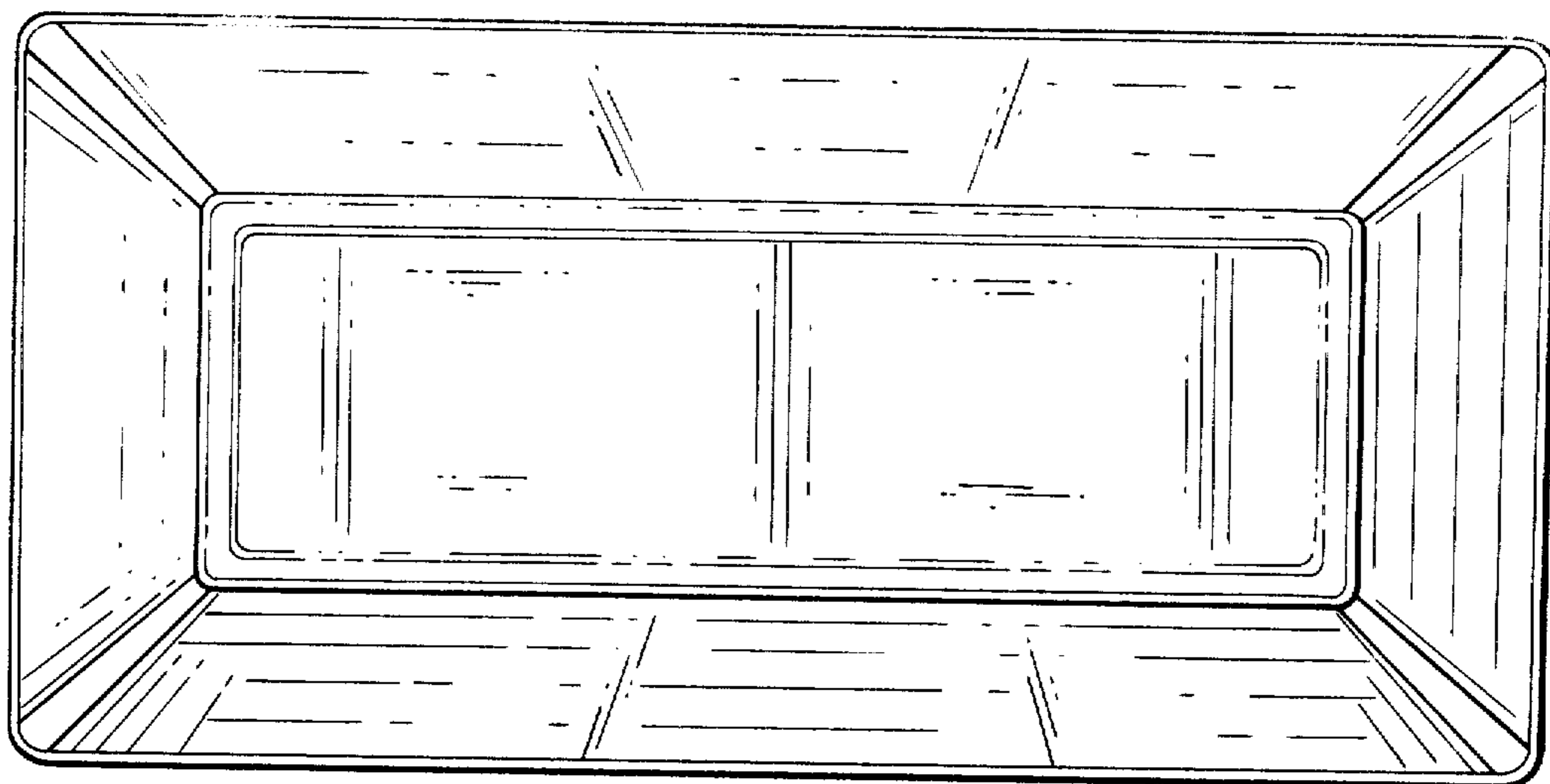


FIG. 4

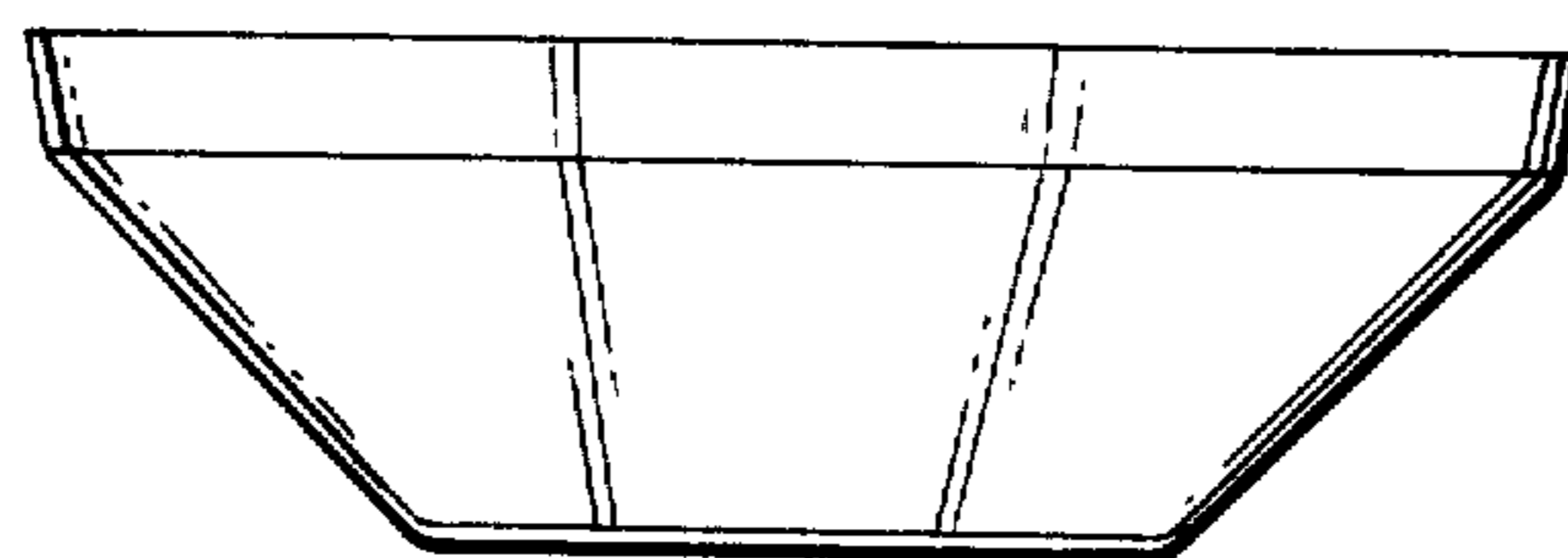


FIG. 5

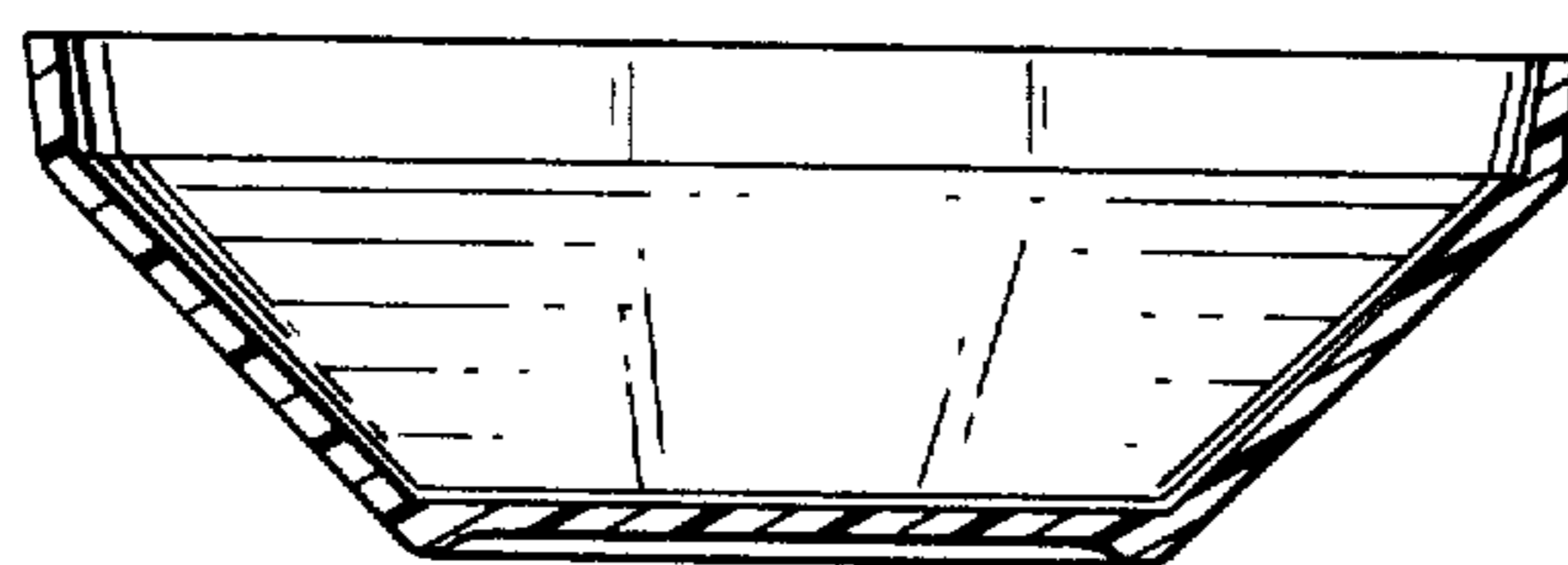


FIG. 6

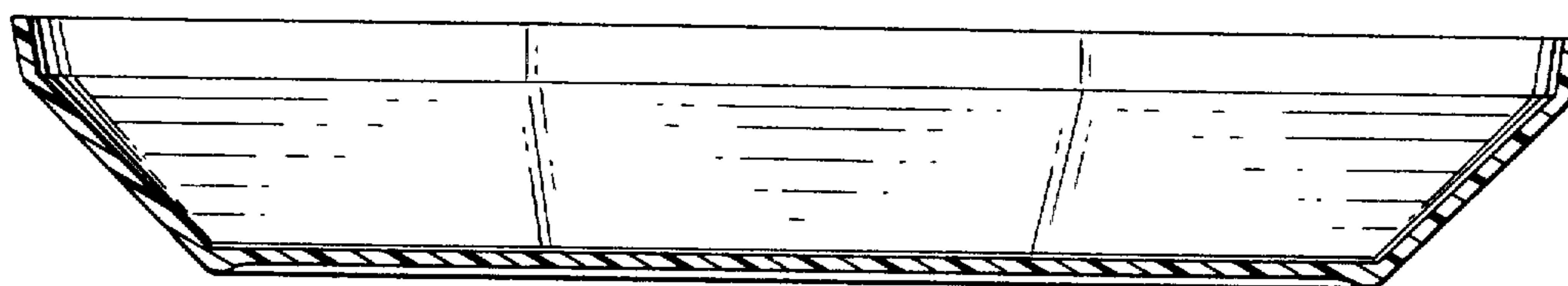


FIG. 7