

[54] AUXILIARY SEAT FOR A CHILD

[76] Inventor: **Gaynor J. Blanchard**, 2 Chilton Parade, Turramurra, New South Wales 2074, Australia

[**] Term: **14 Years**

[21] Appl. No.: **968,143**

[22] Filed: **Dec. 11, 1978**

[30] Foreign Application Priority Data

Jun. 14, 1978 [AU] Australia 75053

[51] Int. Cl. **D6-01**

[52] U.S. Cl. **D6/201**

[58] Field of Search D6/26, 30, 31, 37-39, D6/47-78, 201

[56] References Cited

U.S. PATENT DOCUMENTS

- D. 138,511 8/1944 Dreyfuss D6/48
- D. 211,523 6/1968 Duren D6/200 X

- D. 229,258 11/1973 Svensson D6/73
- D. 233,868 12/1974 Wooters D6/200 X
- D. 237,444 11/1975 Welton D6/197
- D. 249,601 9/1978 Burrige D6/48 X

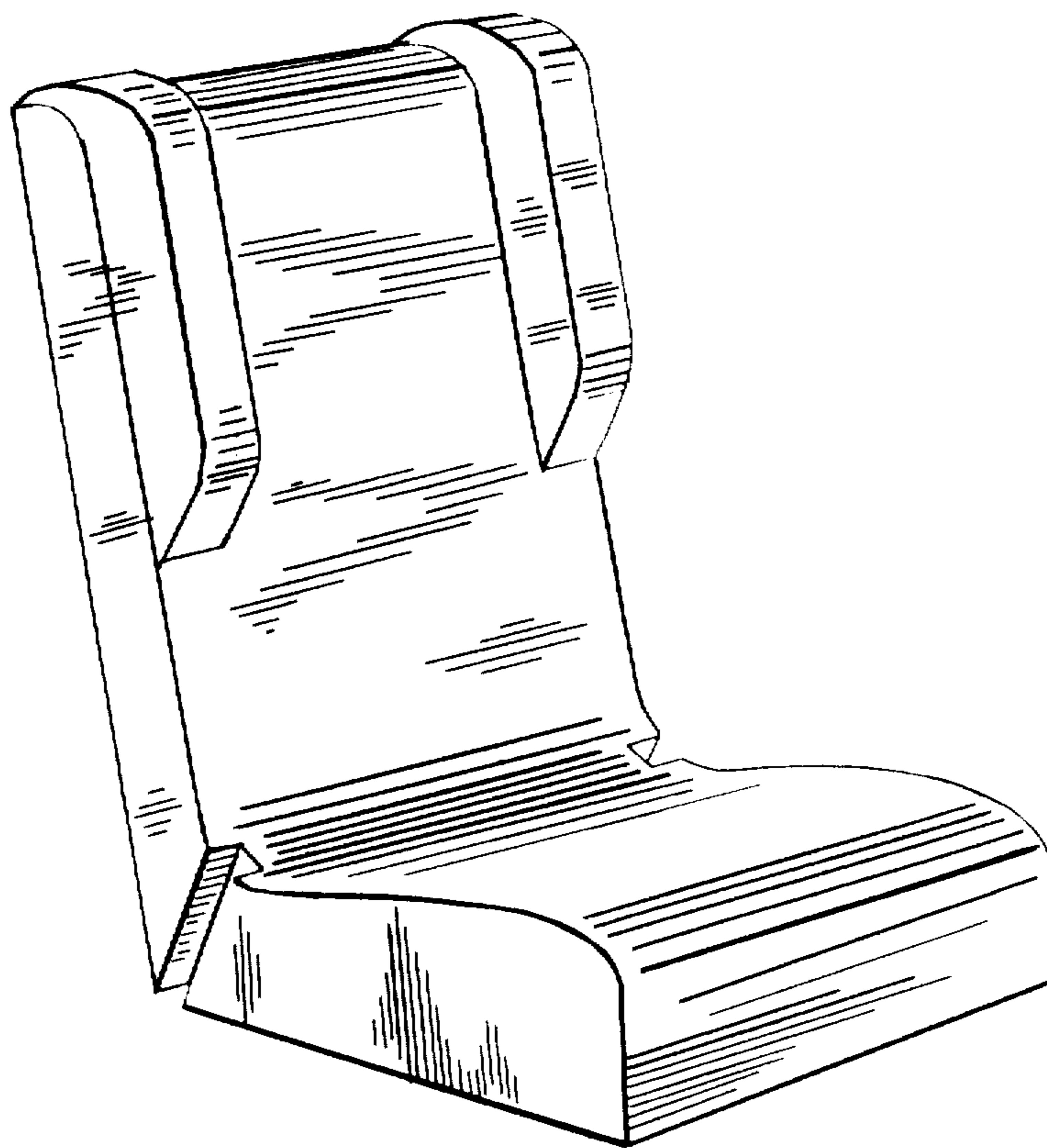
Primary Examiner—Bruce W. Dunkins
Attorney, Agent, or Firm—Ladas & Parry

[57] CLAIM

The ornamental design for an auxiliary seat for a child, as shown.

DESCRIPTION

FIG. 1 is a front perspective view of an auxiliary seat showing my design;
 FIG. 2 is a side elevational view showing the right side of the seat;
 FIG. 3 is a side elevational view showing the left side of the seat;
 FIG. 4 is a front elevational view;
 FIG. 5 is a rear elevational view;
 FIG. 6 is a top plan view; and
 FIG. 7 is a bottom plan view thereof.



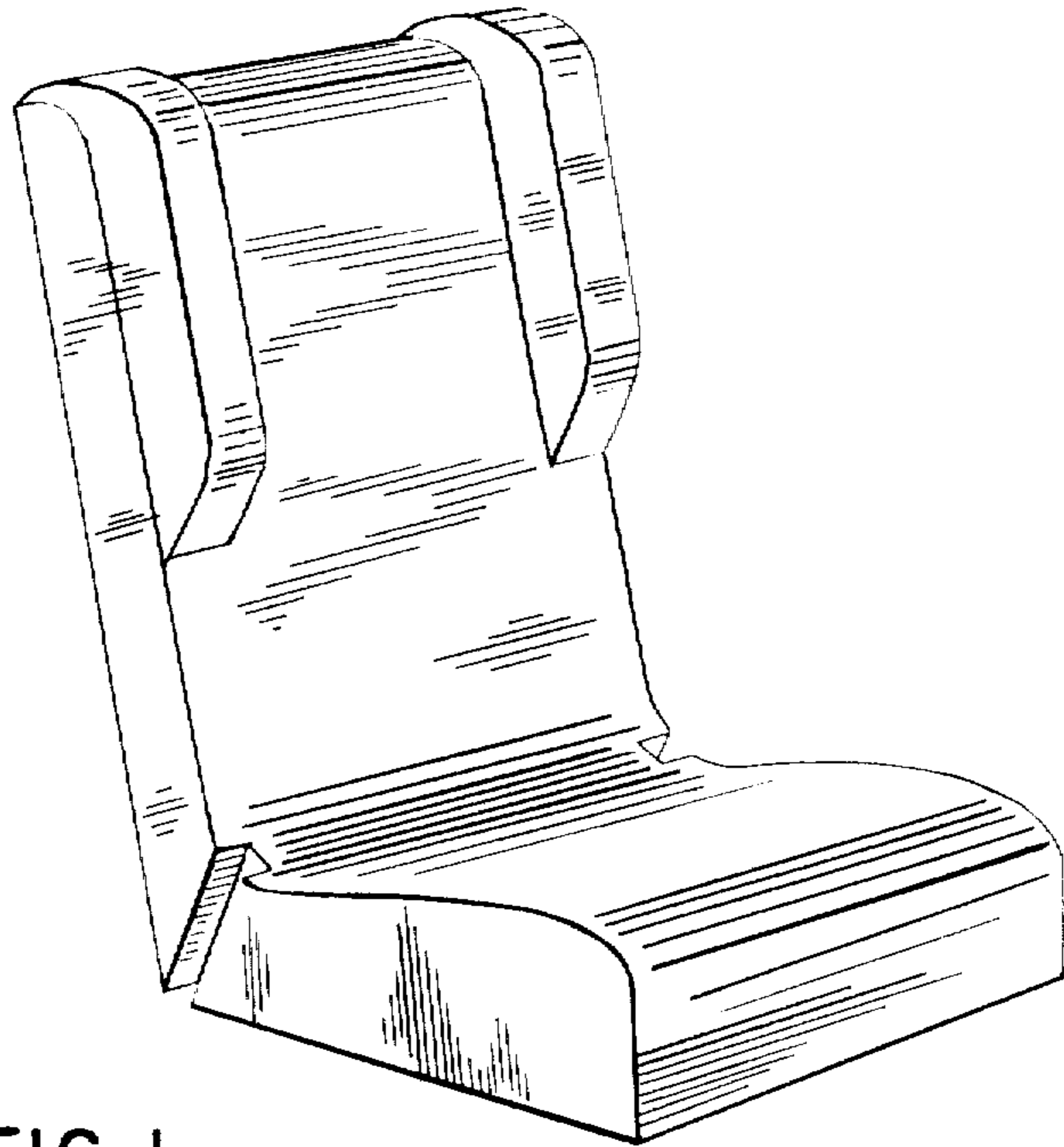


FIG. 1

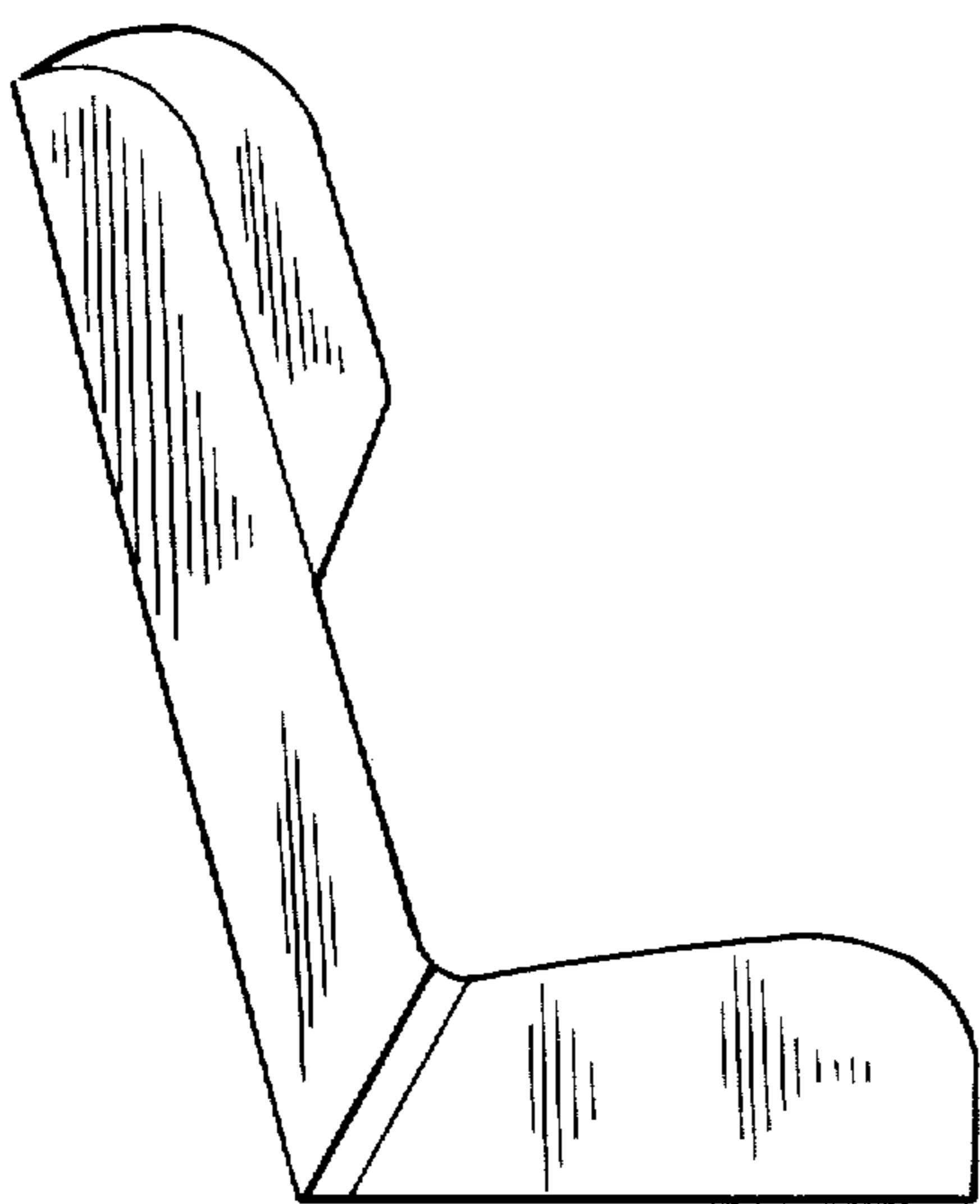


FIG. 2

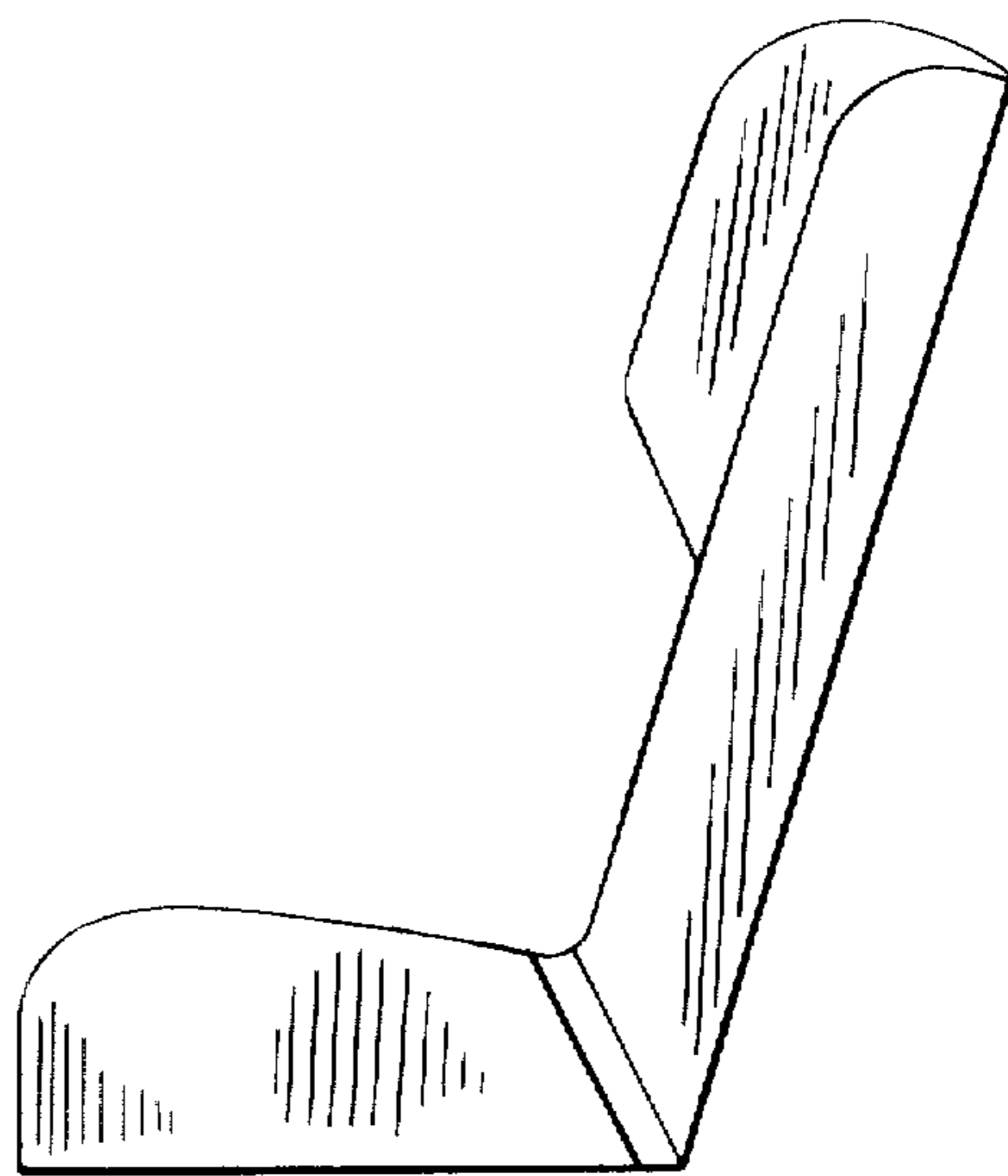


FIG. 3

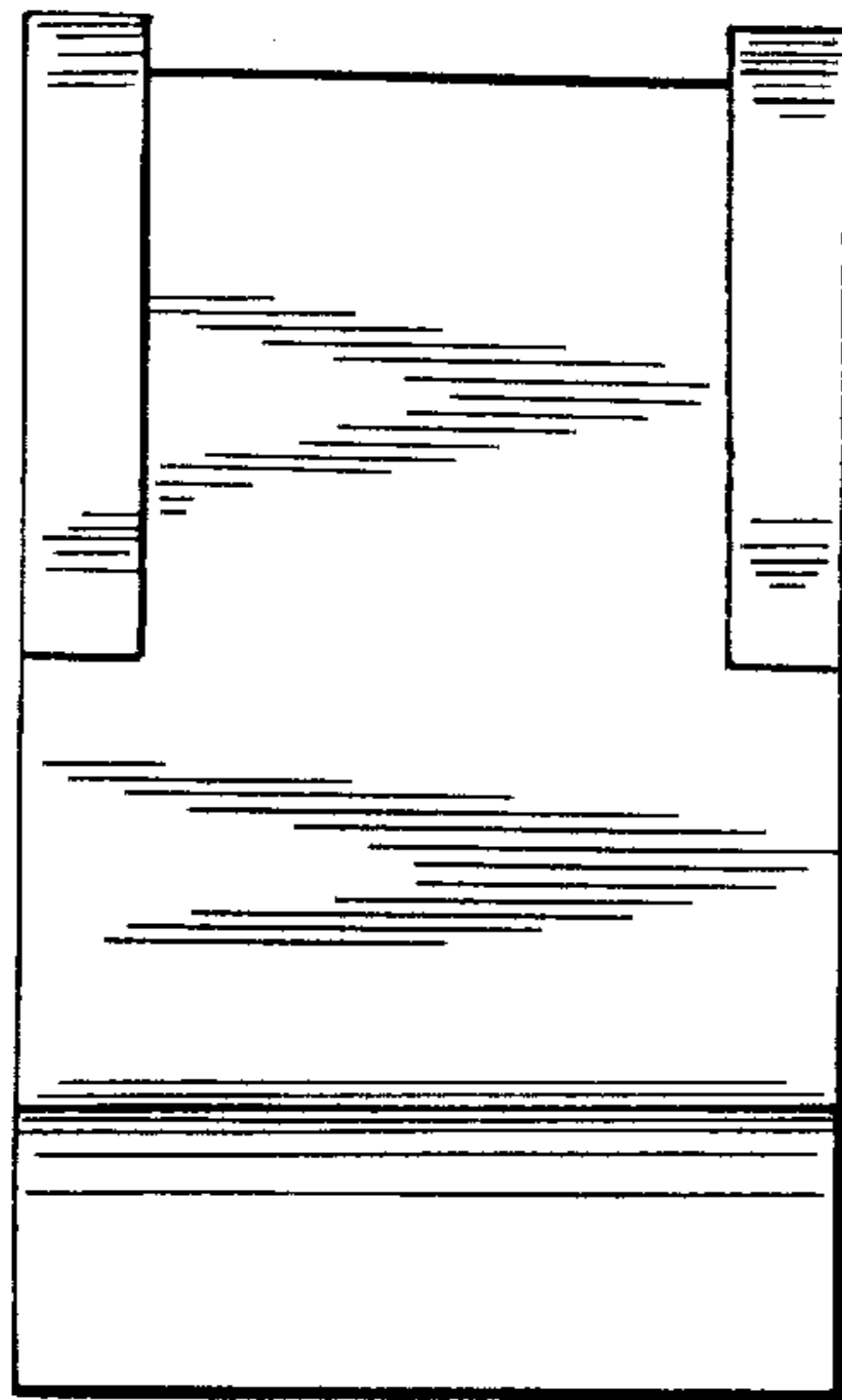


FIG. 4

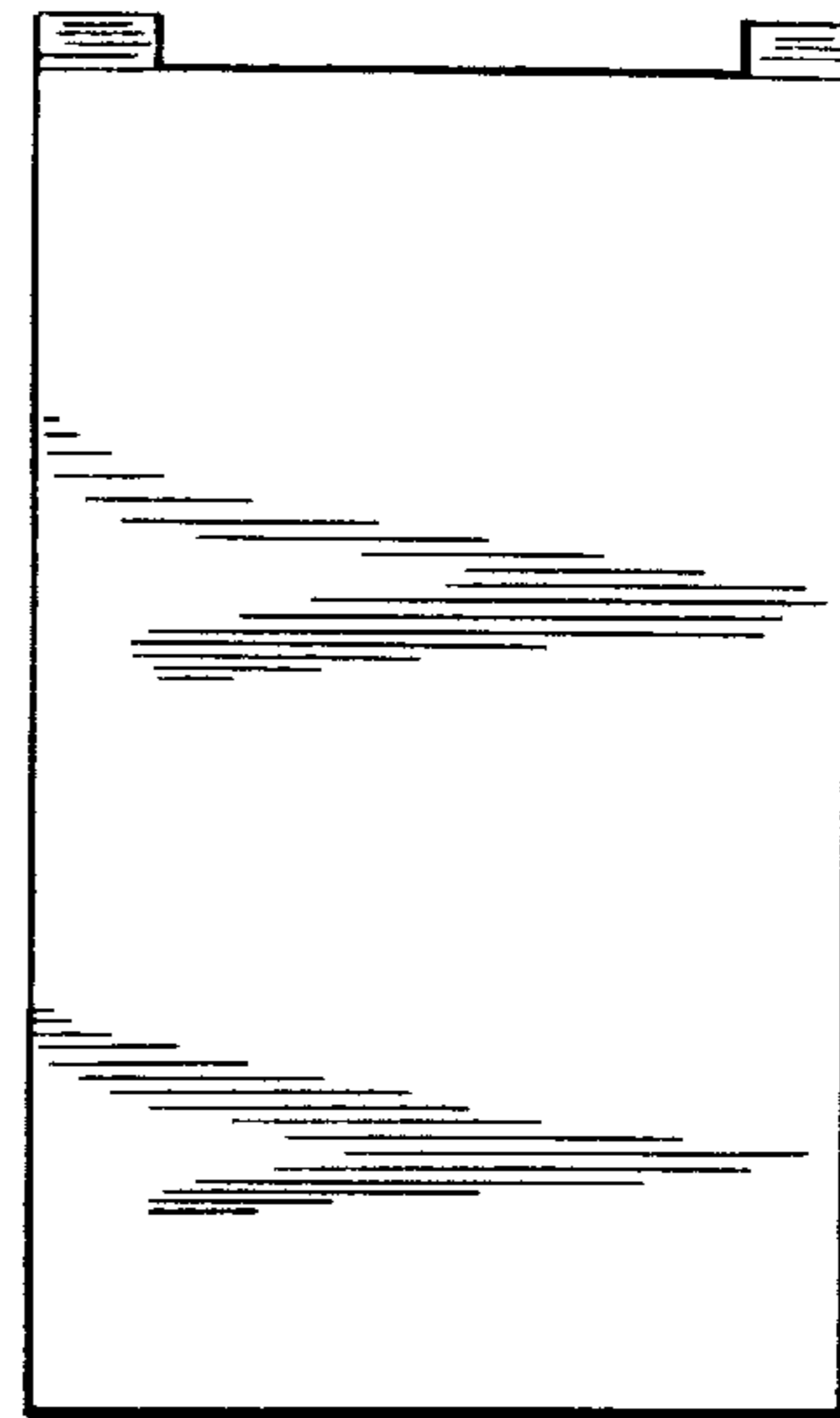


FIG. 5

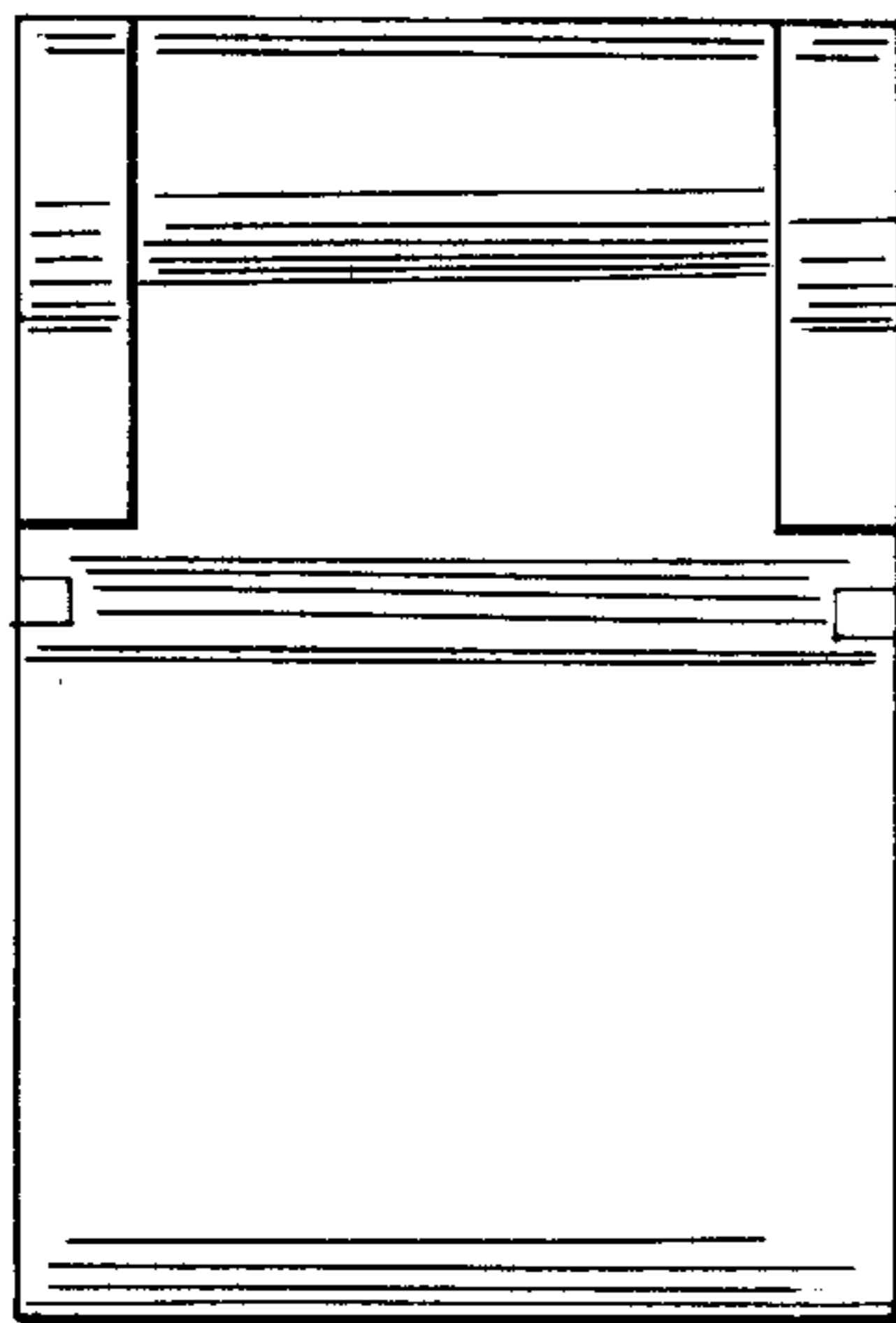


FIG. 6

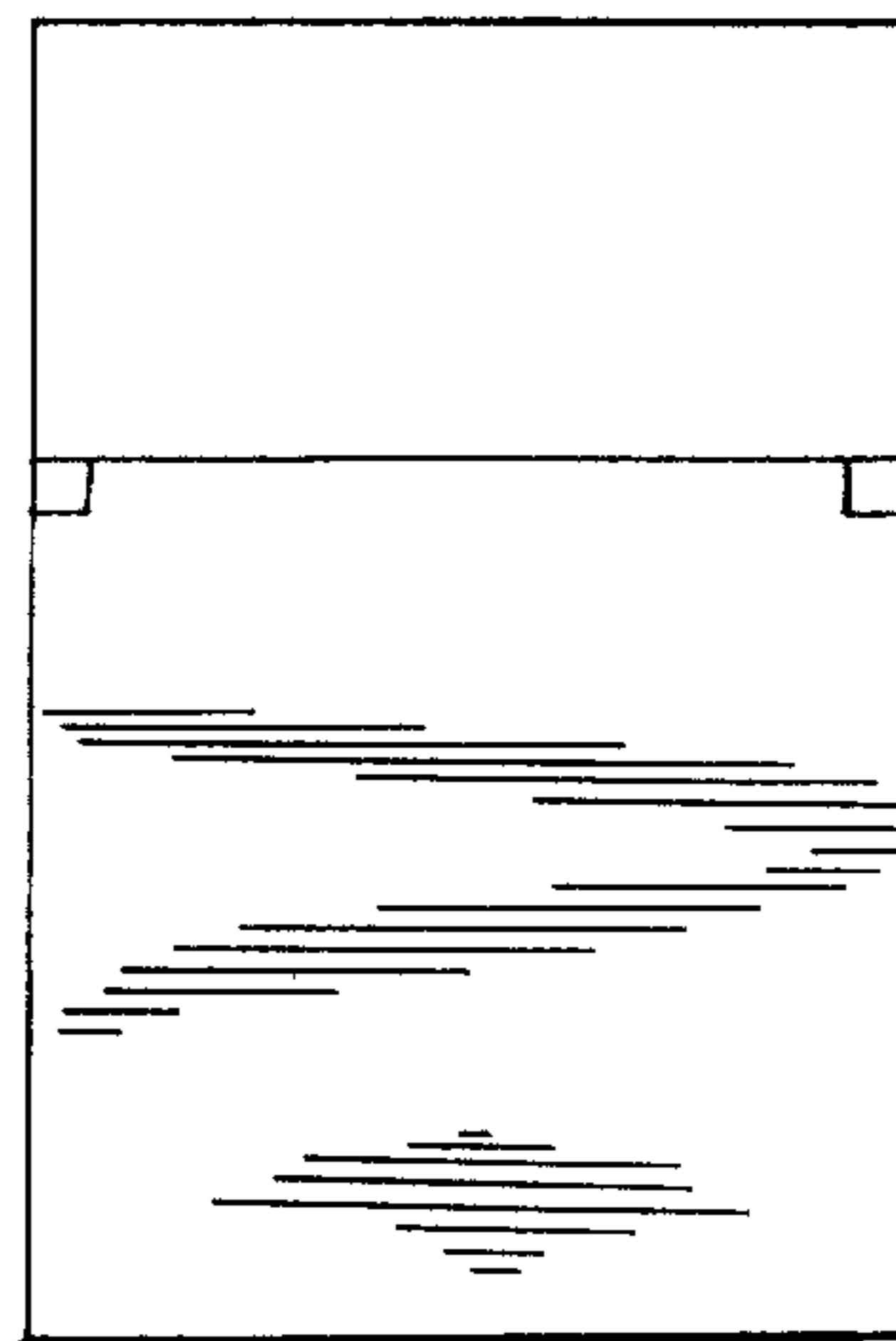


FIG. 7