

[54] BATHROOM DISPLAY UNIT

[75] Inventor: Nedim Savas, Wheaton, Md.

[73] Assignee: Russel William, Ltd., Columbia, Md.

[**] Term: 14 Years

[21] Appl. No.: 154,475

[22] Filed: May 29, 1980

[51] Int. Cl. D06-04

[52] U.S. Cl. D6/186

[58] Field of Search D6/85, 157, 181, 186, D6/188, 189; 108/59, 92, 108; 211/135, 49 R

[56] References Cited

U.S. PATENT DOCUMENTS

1,962,504	6/1934	Hauptli	108/59
2,794,555	6/1957	Schild	211/135
4,080,907	3/1978	Kaufman	108/59

FOREIGN PATENT DOCUMENTS

2407694 7/1979 France 211/49 R

OTHER PUBLICATIONS

Darling Displays Brochure #310 p. 33, "Shelf Displayer" #EL213; top right of page.

Primary Examiner—Melvin B. Feifer

Assistant Examiner—Carmen H. Vales

Attorney, Agent, or Firm—Morton J. Rosenberg

[57] CLAIM

The ornamental design for a bathroom display unit, as shown and described.

DESCRIPTION

FIG. 1 is a perspective view of the bathroom display unit showing my new design; FIG. 2 is a front elevational view thereof; FIG. 3 is a rear elevational view thereof; FIG. 4 is a left side elevational view thereof; FIG. 5 is a top plan view thereof; and FIG. 6 is a bottom plan view thereof.

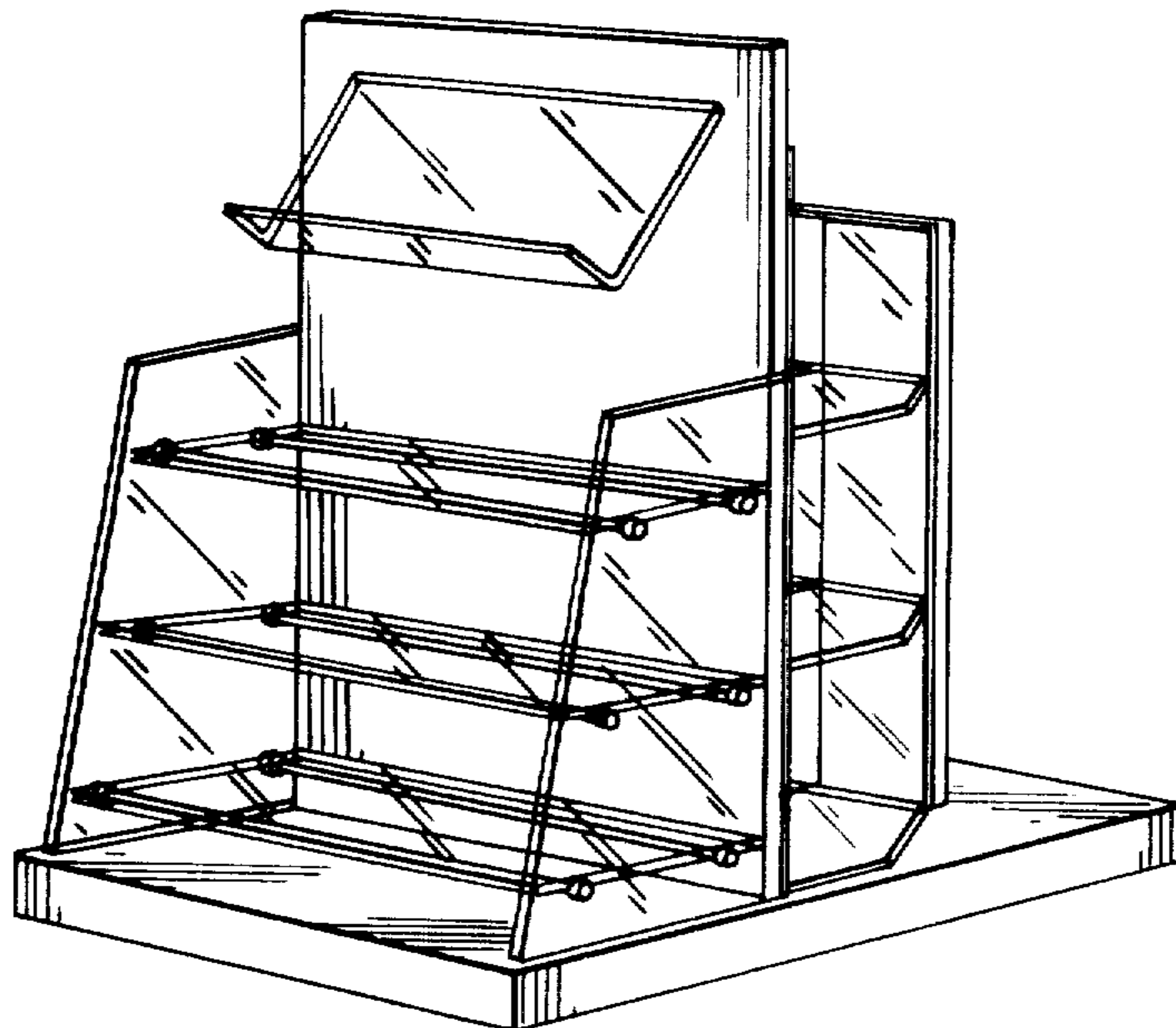


FIG. 1

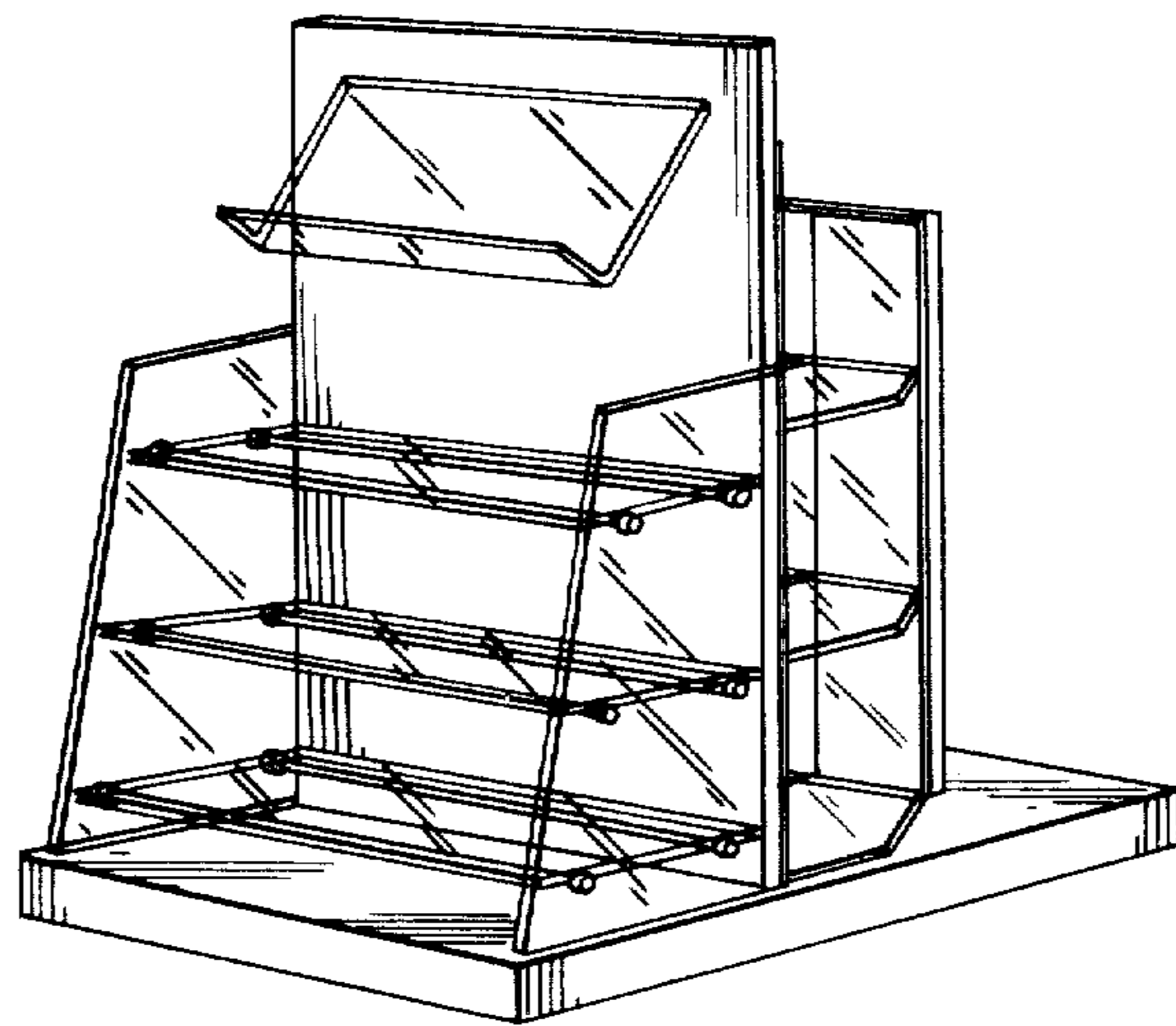
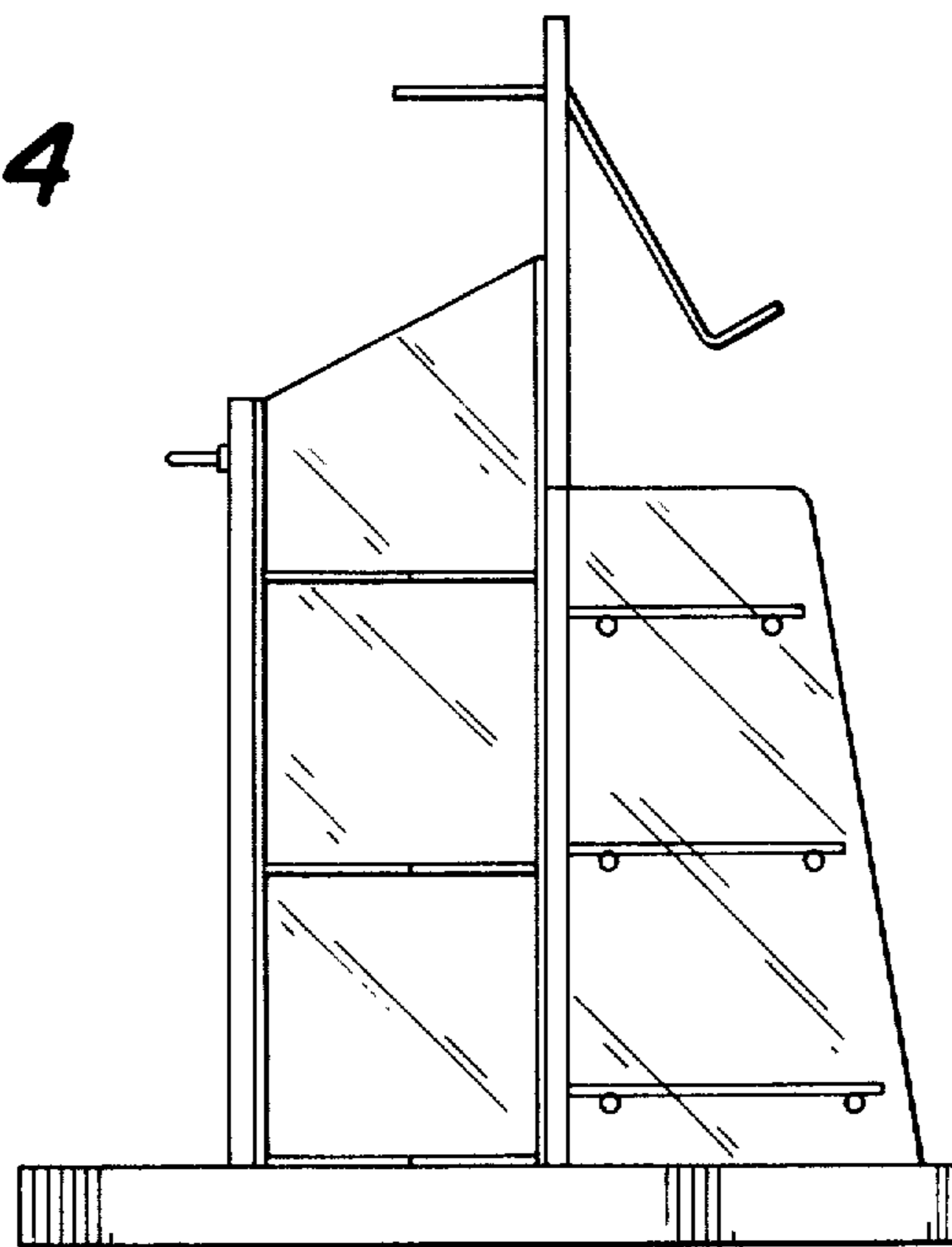


FIG. 4



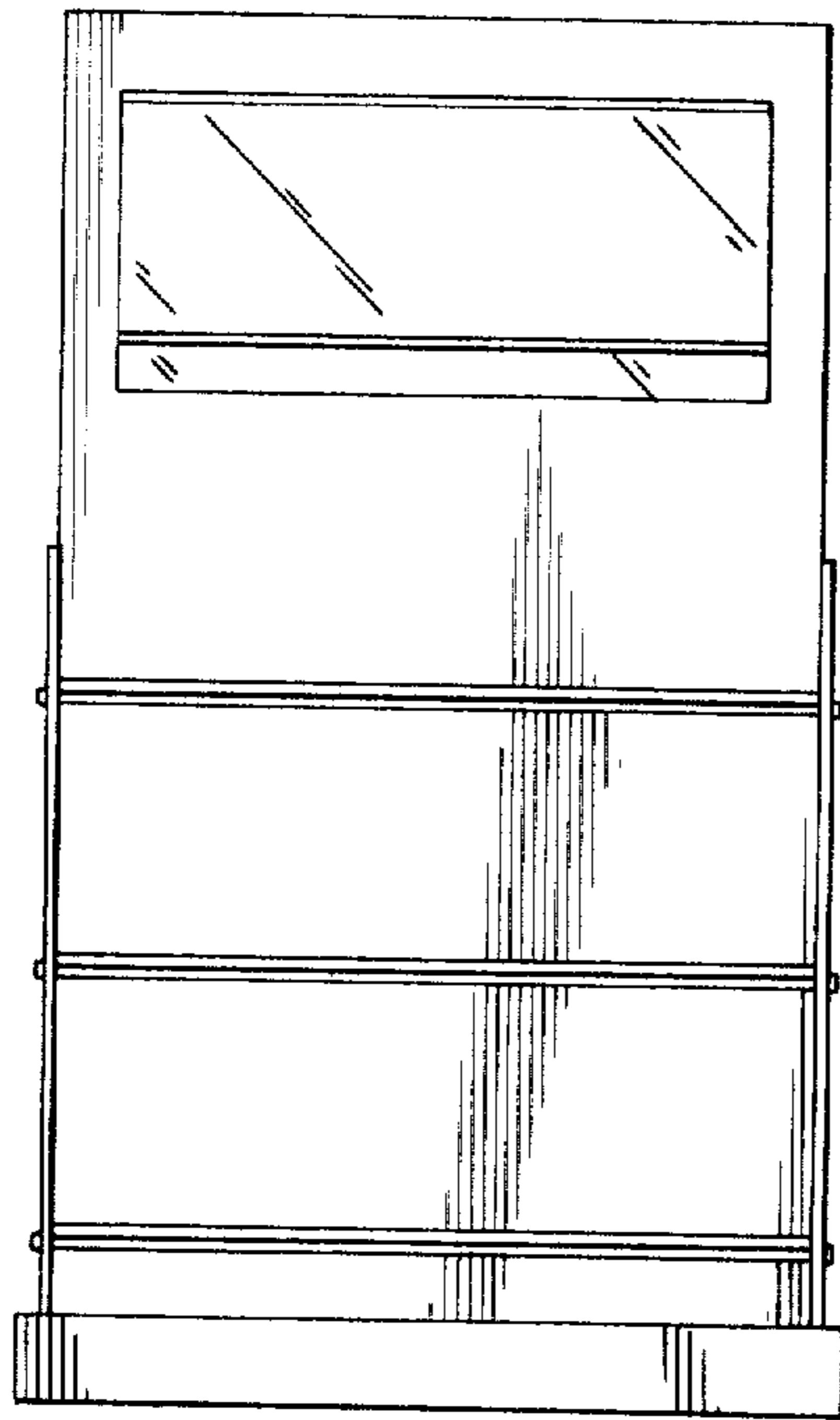


FIG. 2

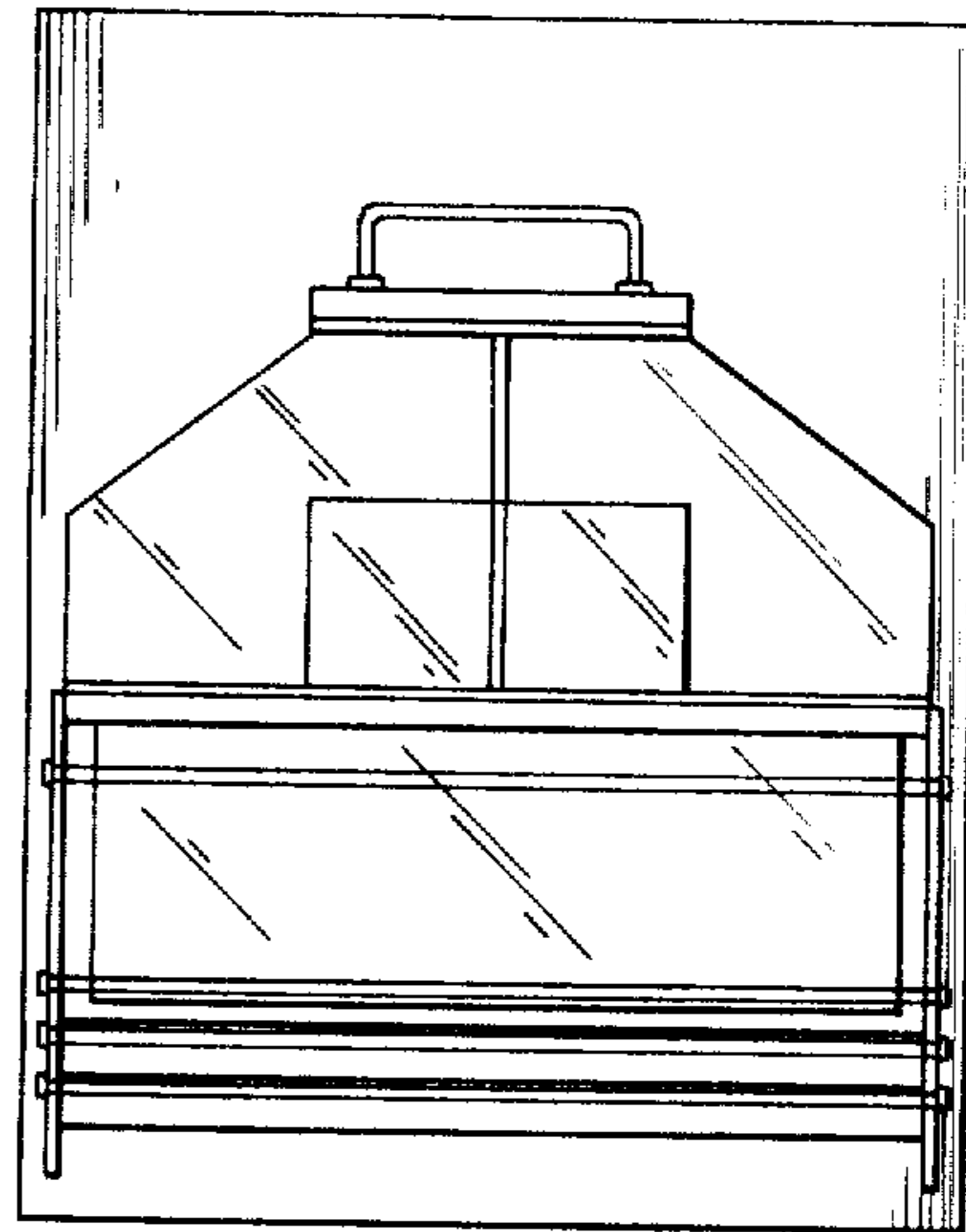


FIG. 5

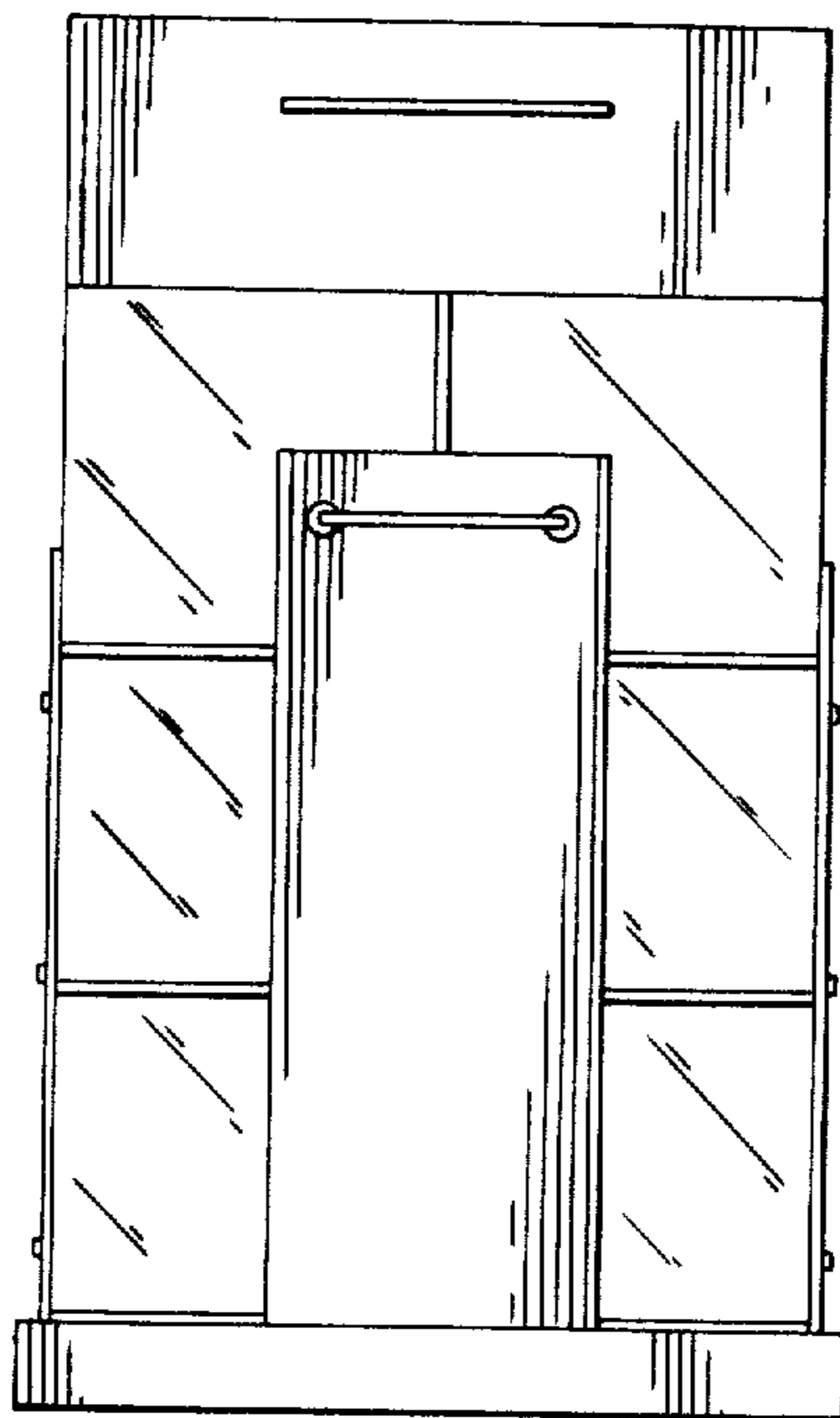


FIG. 3

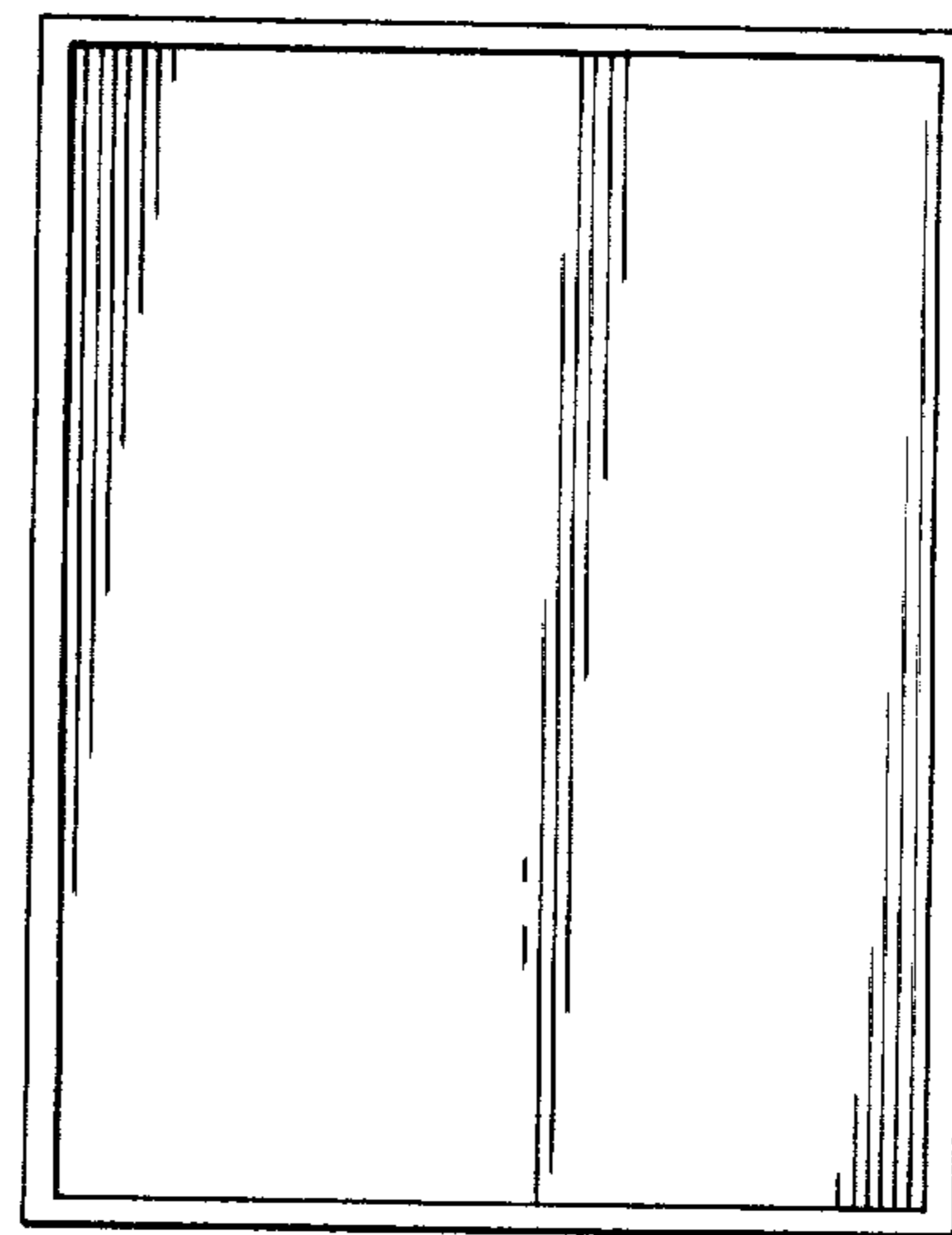


FIG. 6