

[54] **TOILET BRUSH STAND**
 [75] Inventor: **Bruce R. Thompson**, Tranmere, Australia
 [73] Assignee: **UPL Group Limited**, Brisbane, Australia
 [**] Term: **14 Years**
 [21] Appl. No.: **121,213**
 [22] Filed: **Feb. 13, 1980**
 [51] Int. Cl. **D23-02**
 [52] U.S. Cl. **D6/86**
 [58] Field of Search D6/86; 312/206, 207; 206/361, 362.2, 362.3, 15.2, 15.3; 15/146; D21/108; D7/78

4,211,750 7/1980 Gillespie 206/361

FOREIGN PATENT DOCUMENTS

13104 of 1887 United Kingdom D7/78

OTHER PUBLICATIONS

Coronet Cat. 731, 1/1/73, p. 9, "Duo" Toilet Brush and Holder.

Primary Examiner—B. J. Bullock
Attorney, Agent, or Firm—McDougall, Hersh & Scott

[57] **CLAIM**

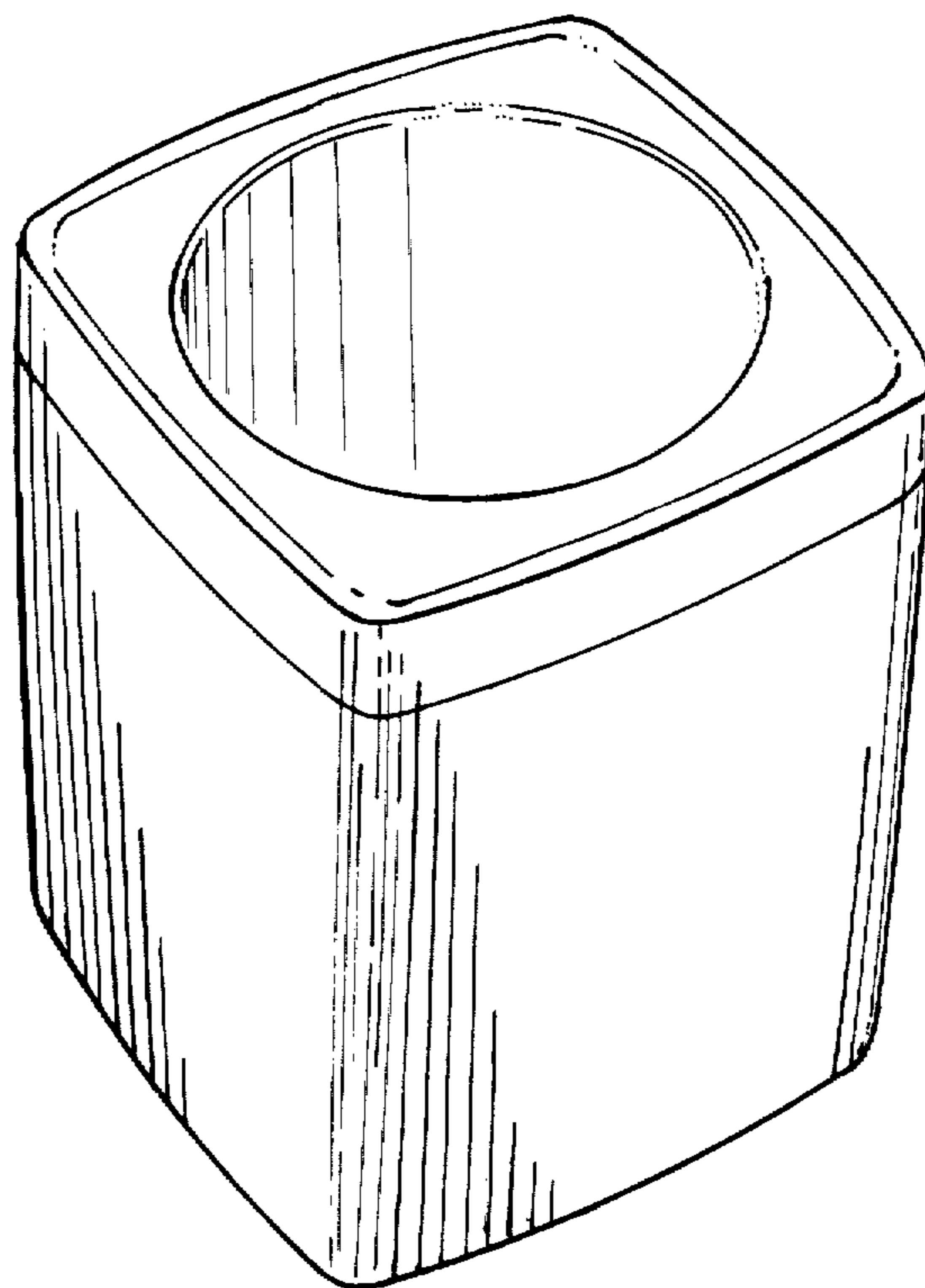
The ornamental design for a toilet brush stand, as shown.

DESCRIPTION

FIG. 1 is a perspective view of a toilet brush stand showing my new design;
FIG. 2 is a top plan view thereof;
FIG. 3 is a bottom plan view thereof;
FIG. 4 is a side elevational view thereof; and
FIG. 5 is a sectional view taken in the direction of the arrows on line 5—5 of FIG. 2.

[56] **References Cited**
U.S. PATENT DOCUMENTS

D. 25,044	1/1896	Bodine	D21/108
D. 238,917	2/1976	Vrignaud	D6/86
2,995,267	8/1961	Ostrander	D7/78
4,033,650	7/1977	Alissandratos	312/206



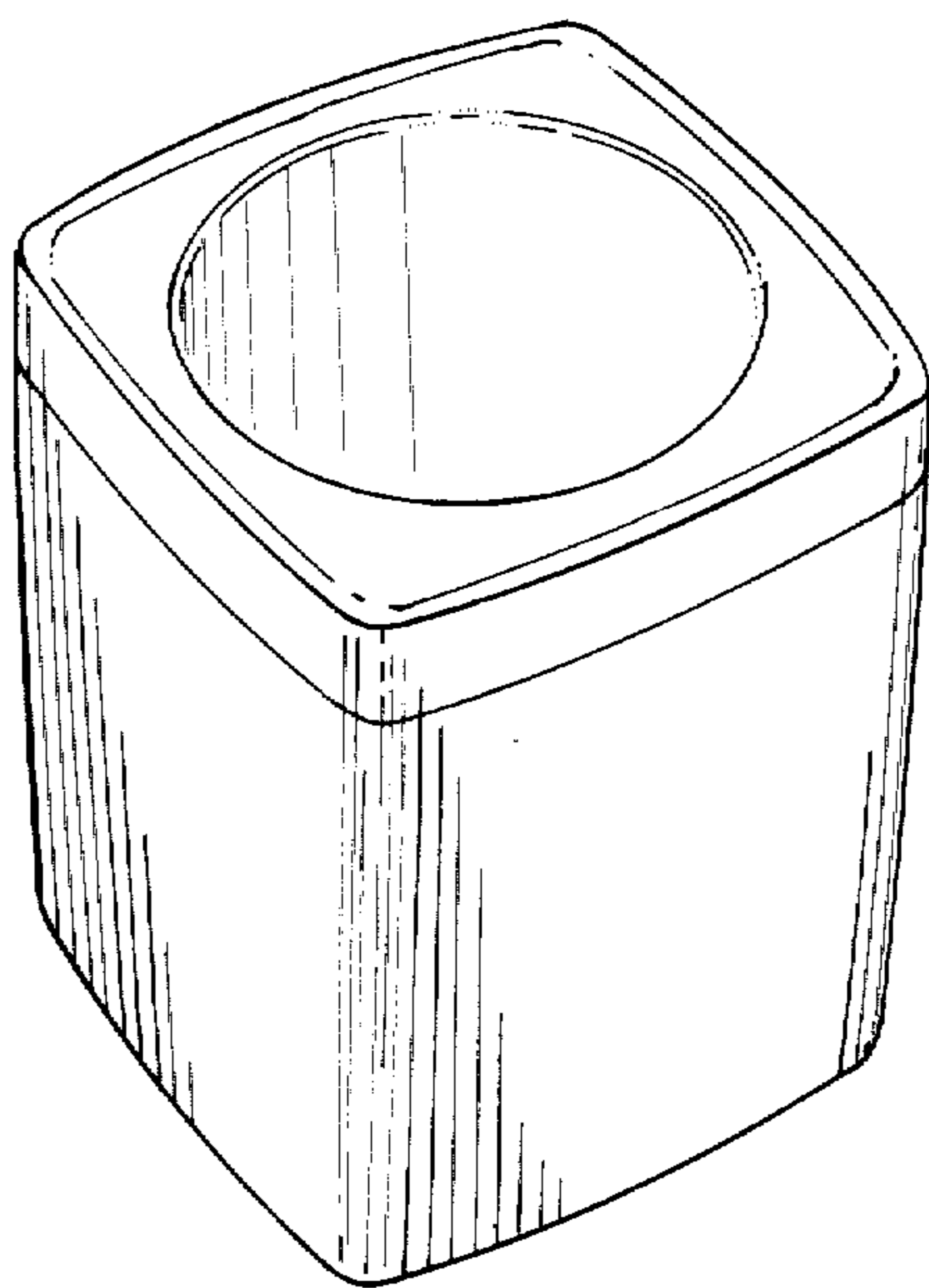


FIG. 1

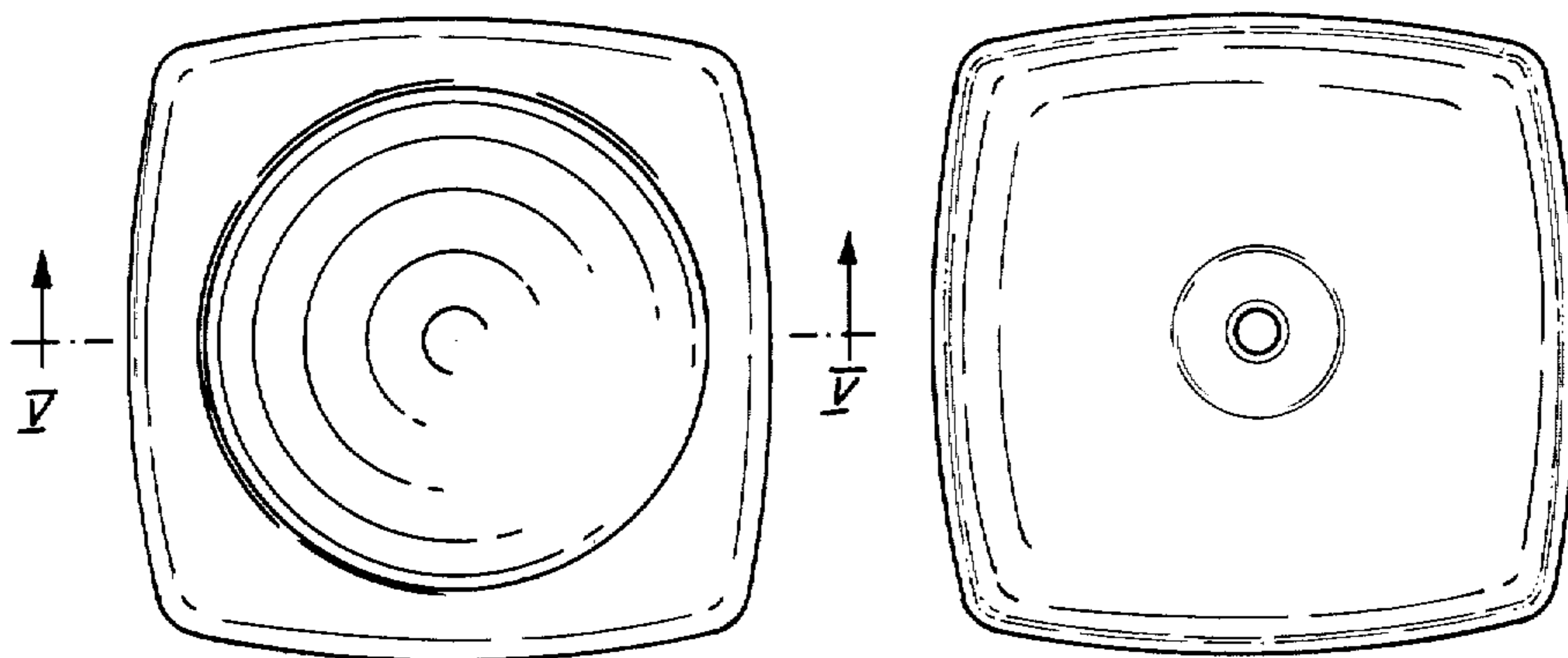


FIG. 2

FIG. 3

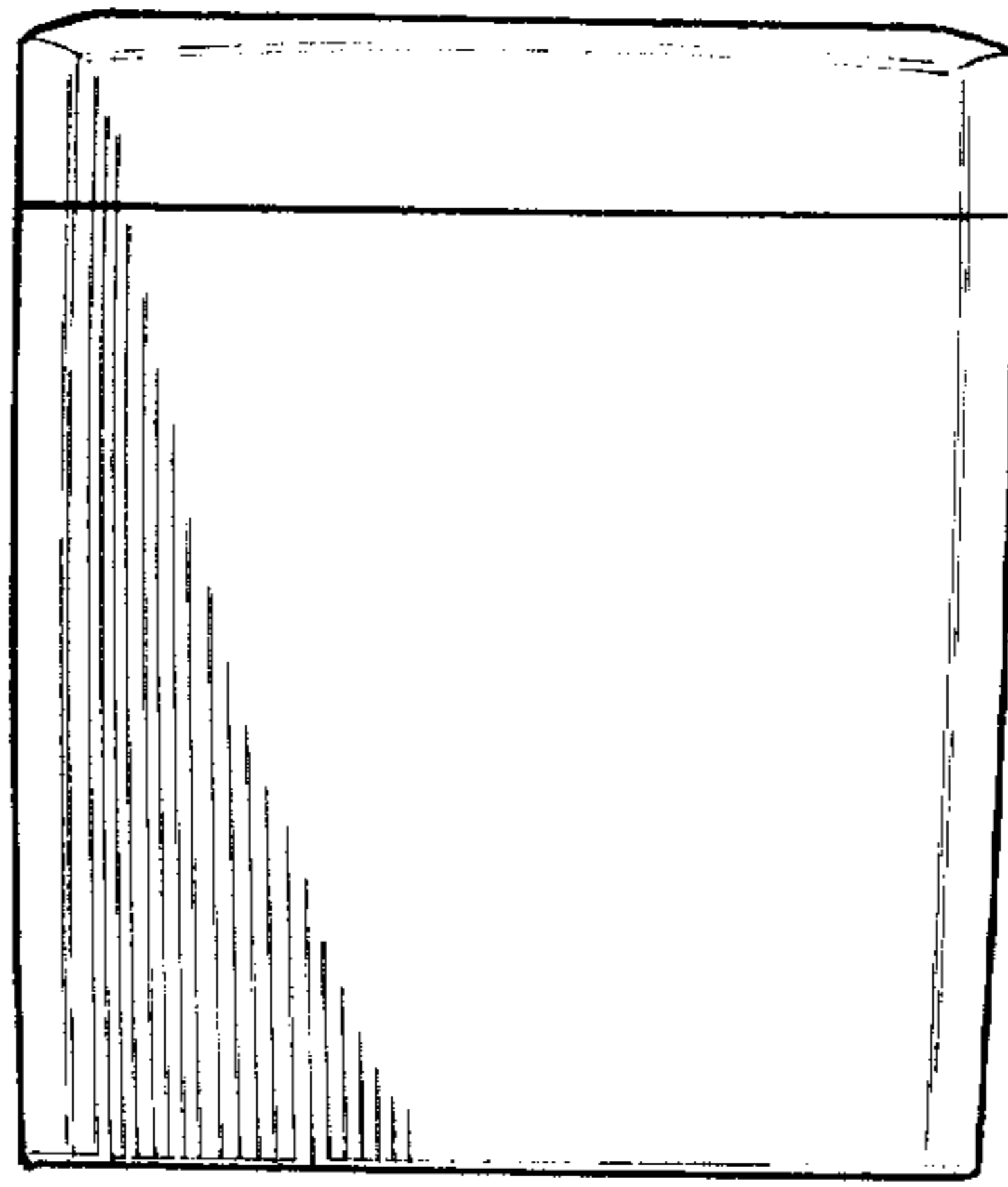


FIG. 4

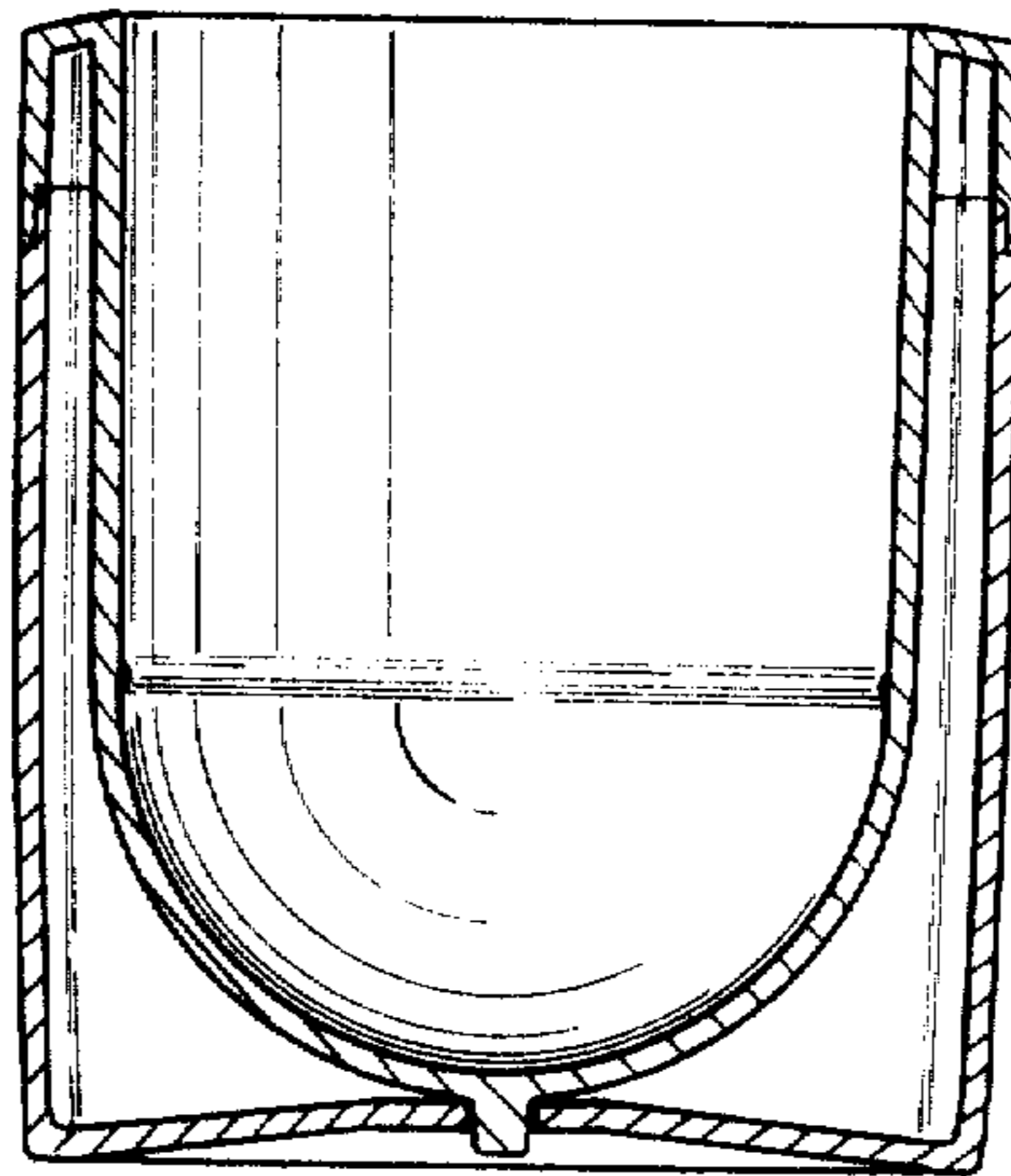


FIG. 5