

[54] CONSOLE

[76] Inventor: Ernesto Azzalin, 411 E. 57th St., New York, N.Y. 10022

[**] Term: 14 Years

[21] Appl. No.: 74,161

[22] Filed: Sep. 10, 1979

[51] Int. Cl. D6-06

[52] U.S. Cl. D6/85; D6/168

[58] Field of Search D6/85, 167, 168, 172, D6/169, 144; D7/81

[56] References Cited

U.S. PATENT DOCUMENTS

D. 23,509 7/1894 Bark D6/144

OTHER PUBLICATIONS

Housewares Review, Jan. 1963, p. 112.
Dunbar, p. CA-3, top Cabinet, 1971.

Primary Examiner—Lester L. Lee
Attorney, Agent, or Firm—Amster, Rothstein & Engelberg

[57] CLAIM

The ornamental design for a console, substantially as shown and described.

DESCRIPTION

FIG. 1 is a perspective view of a console showing my new design; FIG. 2 is a front elevational view thereof; and FIG. 3 is a side elevational view thereof. The back of the console is plain and unornamented.

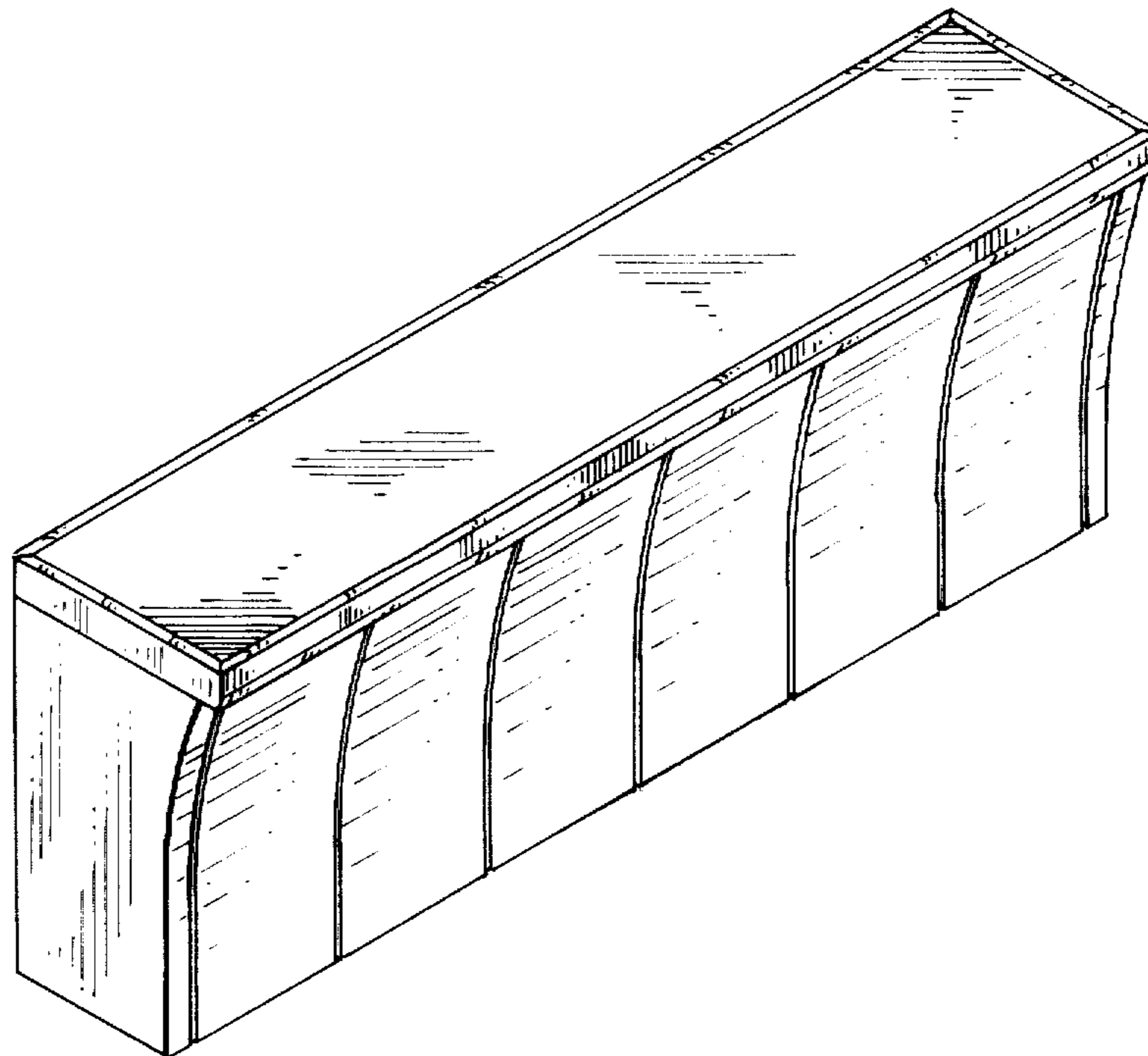


FIG. 1

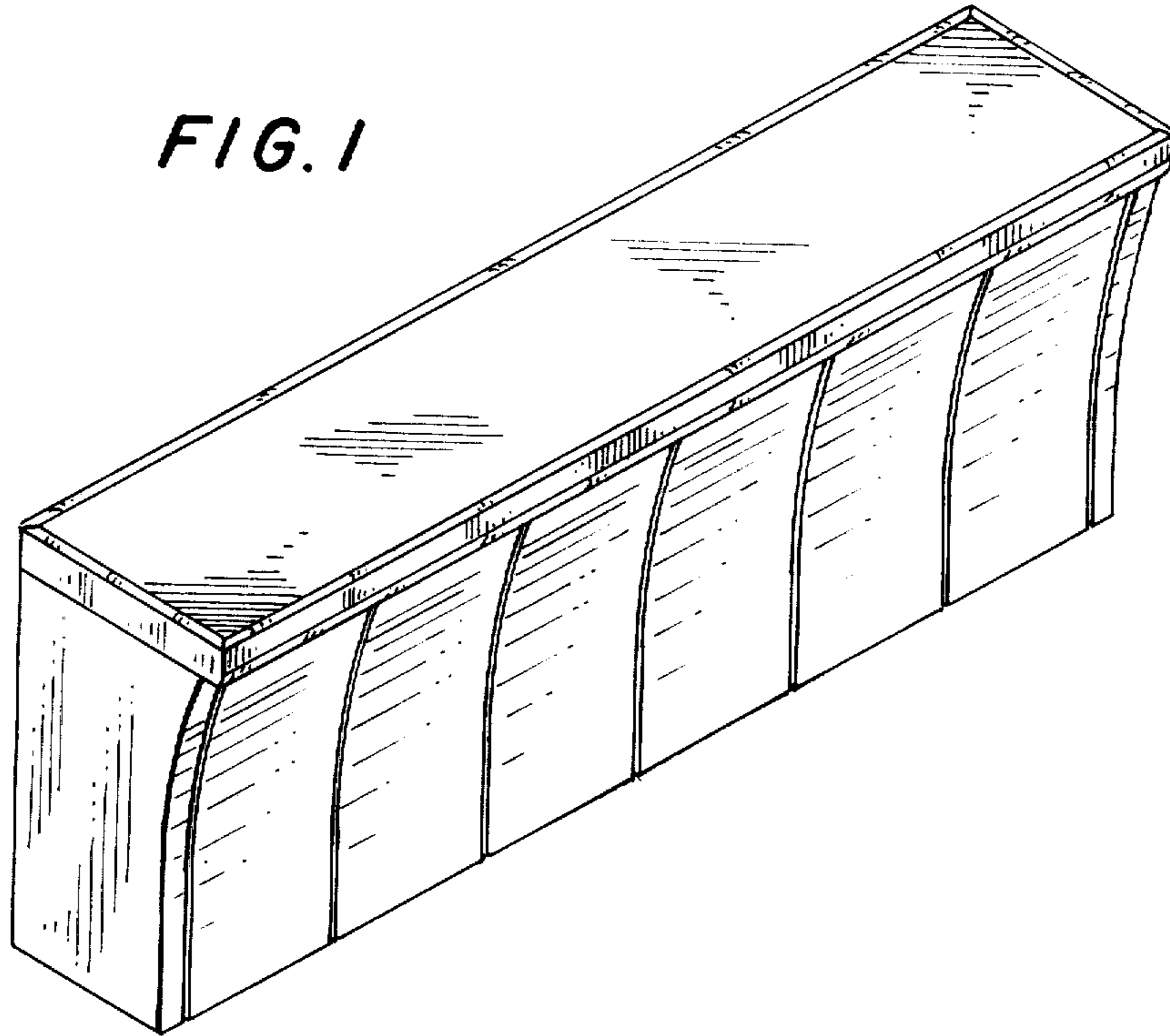


FIG. 2

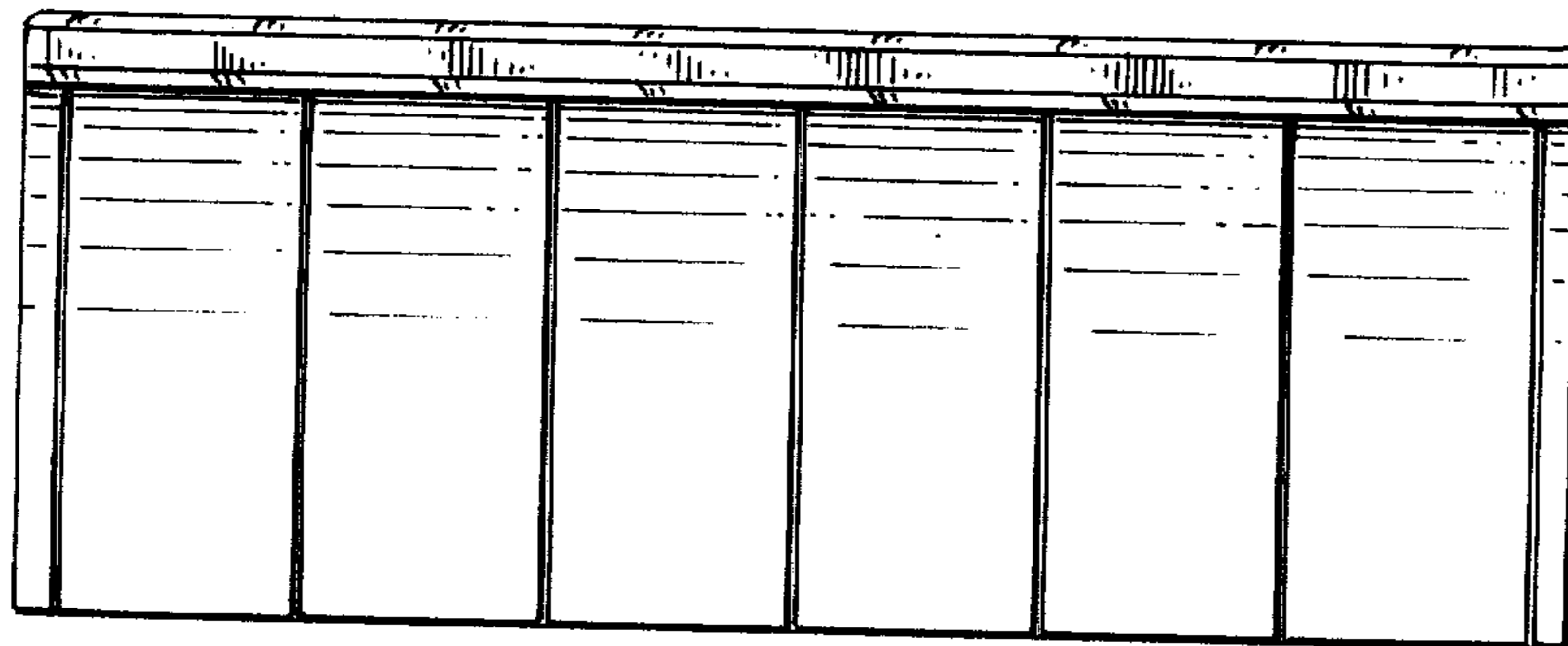


FIG. 3

