

[54] BED

[76] Inventor: Paul H. Sutherland, 105 Green Leaf Dr., Latham, N.Y. 12110

[**] Term: 14 Years

[21] Appl. No.: 71,090

[22] Filed: Aug. 31, 1979

[51] Int. Cl. D6-01

[52] U.S. Cl. D6/5; D6/14;
D6/79; D6/83

[58] Field of Search D6/14, 15, 5, 6, 79,
D6/80, 83, 198; D21/134, 140

[56]

References Cited

U.S. PATENT DOCUMENTS

D. 147,941 11/1947 Ziegler D6/14
D. 189,741 2/1961 Gatov D6/14
D. 190,288 5/1961 Monax D21/134 X
D. 198,171 5/1964 Crowle D21/134
D. 218,561 9/1970 Benton D21/134

Primary Examiner—Jane E. Corrigan
Attorney, Agent, or Firm—Sanford S. Wadler

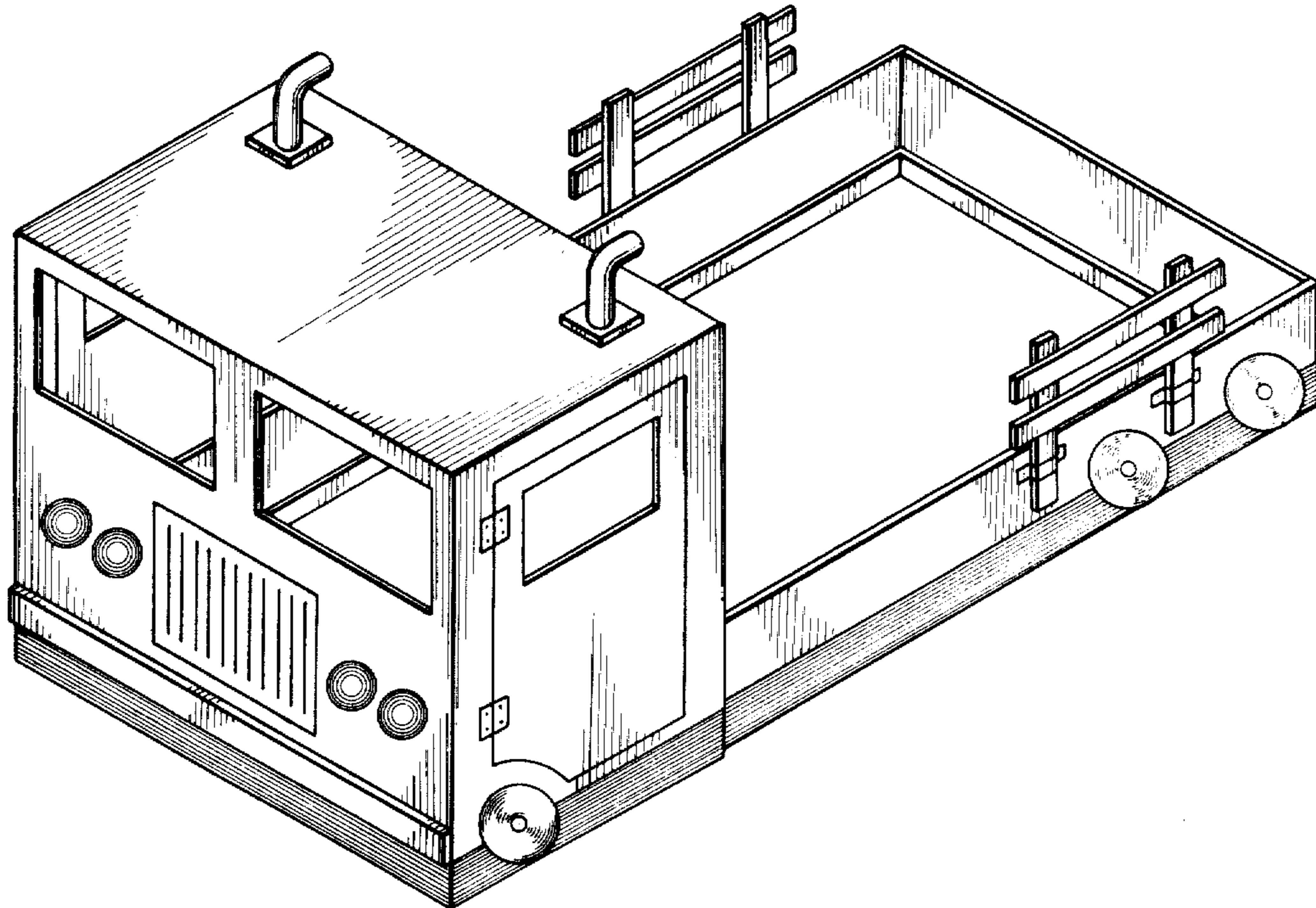
[57]

CLAIM

The ornamental design for a bed, substantially as shown and described.

DESCRIPTION

FIG. 1 is a front and right side perspective view of a bed showing my new design; and
FIG. 2 is a rear elevational view.
The sides that are not shown in the Figure are like the disclosed sides.



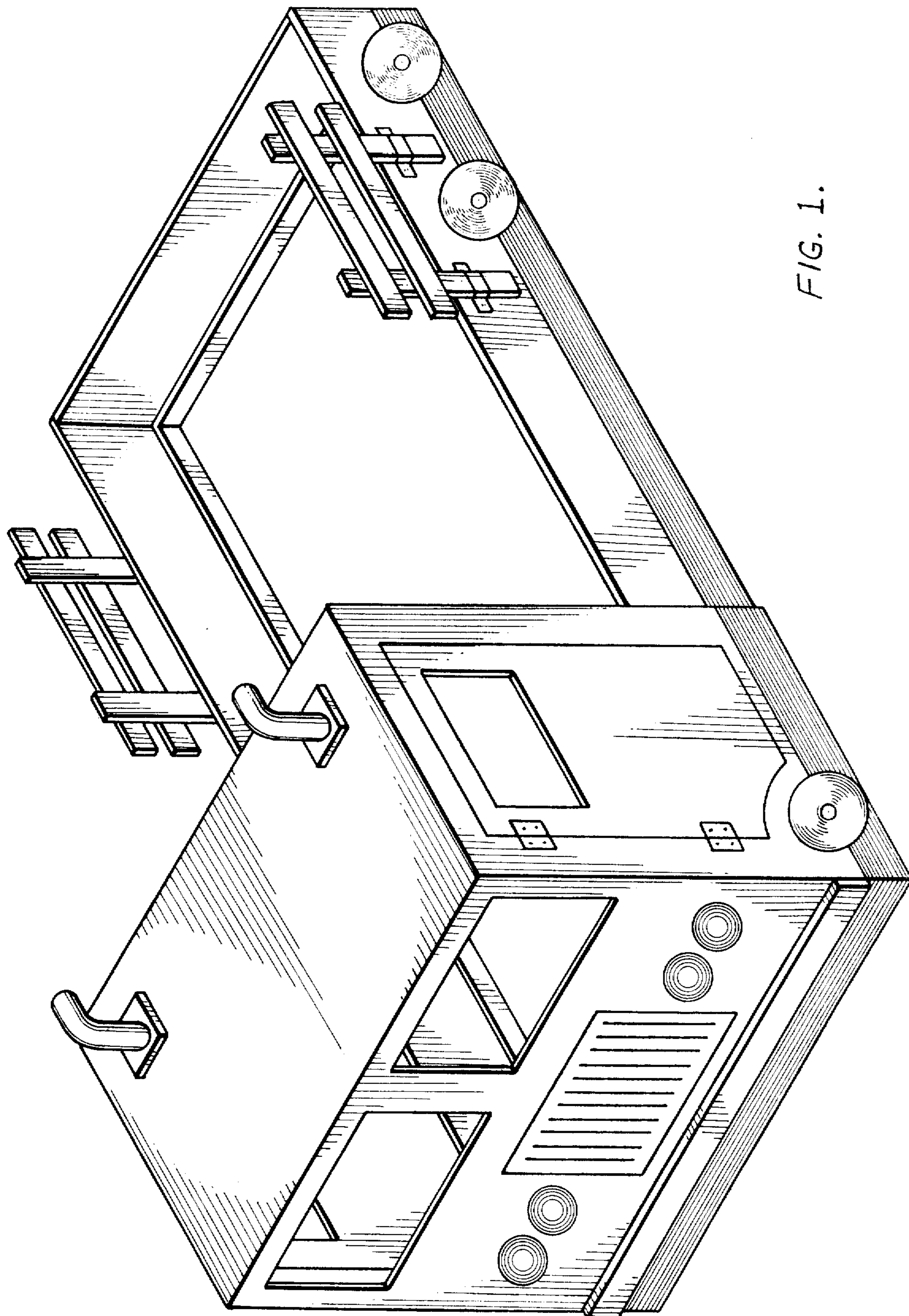


FIG. 1.

FIG. 2.

