

[54] **INDOOR CUSTOMER ACTIVATED BANKING MACHINE TERMINAL OR THE LIKE**

[75] **Inventor: Ingvar Freijd, Linköping, Sweden**

[73] **Assignee: Datasaab AB, Jarfalla, Sweden**

[\*\*] **Term: 14 Years**

[21] **Appl. No.: 129,307**

[22] **Filed: Mar. 11, 1980**

[30] **Foreign Application Priority Data**

Sep. 14, 1979 [SE] Sweden ..... 792042

[51] **Int. Cl. .... D99—00**

[52] **U.S. Cl. .... D99/28; D99/28**

[58] **Field of Search ..... D99/28, 43, 99; 186/37; 109/1 R**

[56] **References Cited**

**U.S. PATENT DOCUMENTS**

D. 187,978 5/1960 Grewe ..... D99/28

D. 249,900 10/1988 Lee ..... D99/28

*Primary Examiner*—Lester L. Lee  
*Attorney, Agent, or Firm*—Sughrue, Mion, Zinn, Macpeak and Seas

[57] **CLAIM**

The ornamental design for an indoor customer activated banking machine terminal or the like, as shown.

**DESCRIPTION**

FIG. 1 is a perspective view of the indoor customer activated banking machine terminal or the like showing my new design; and

FIG. 2 is another perspective view thereof.

The bottom surfaces of the terminal unit and any surfaces not fully illustrated are plain and unornamented.

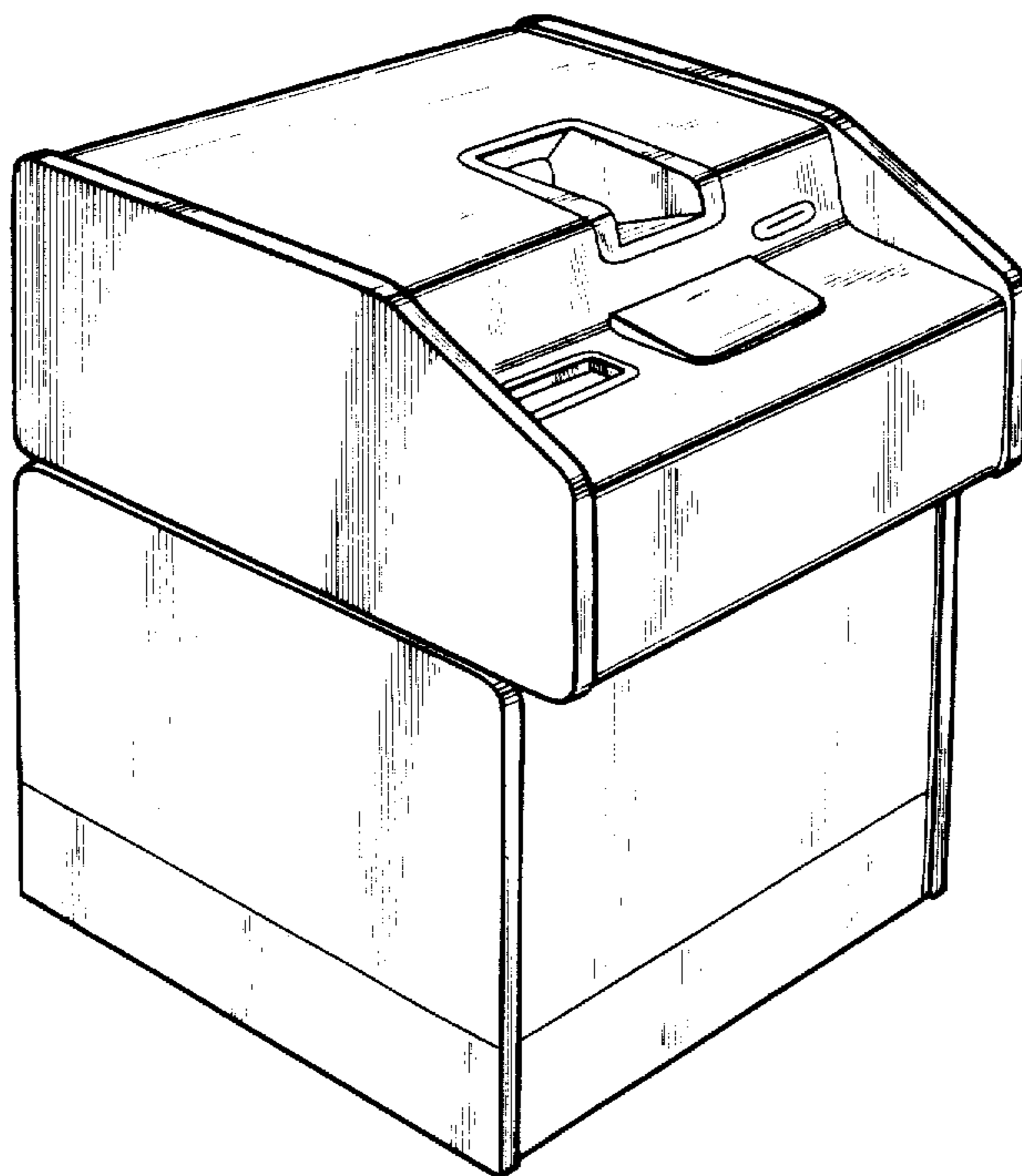


FIG 1

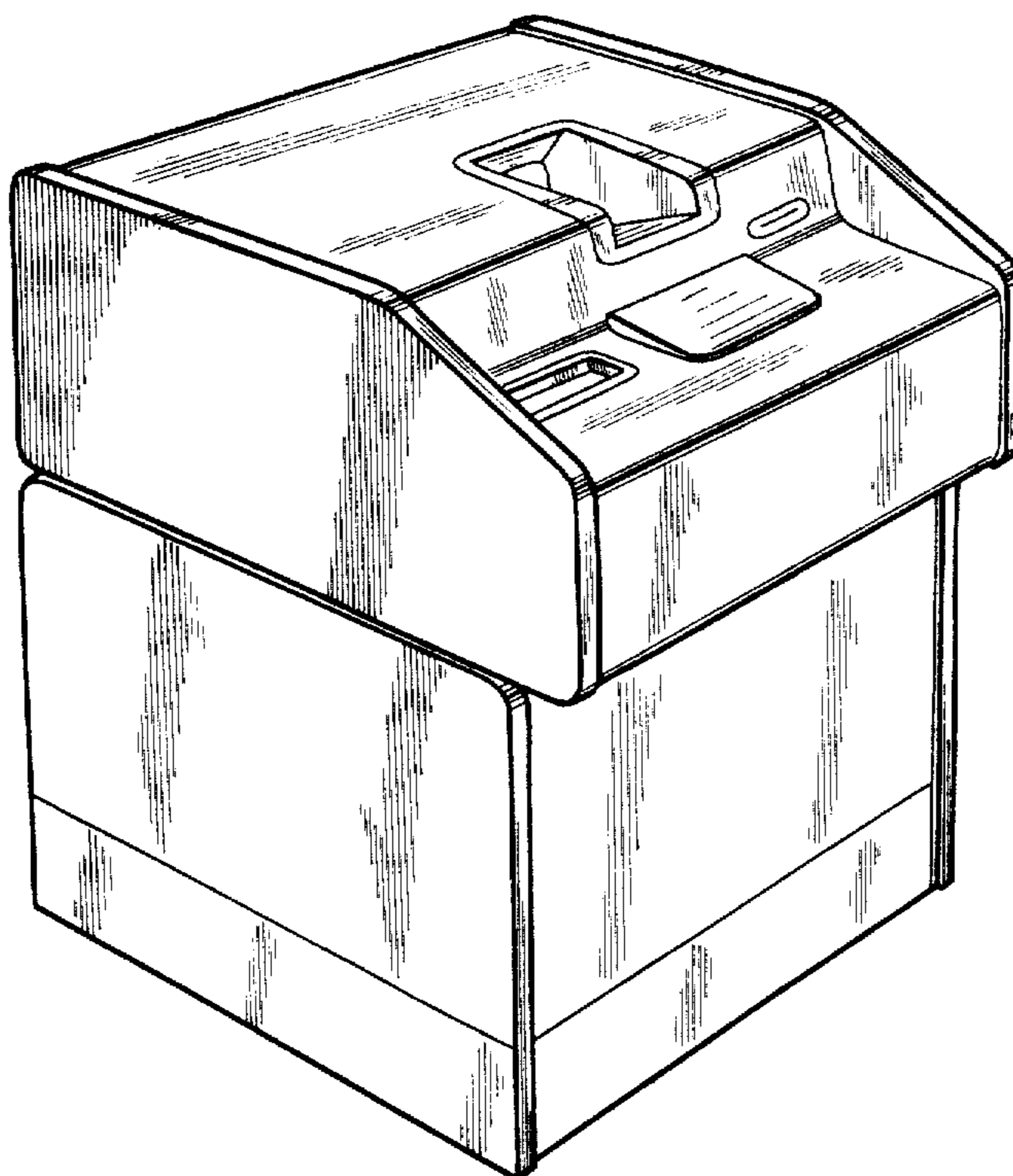


FIG 2

