

[54] BASKET FOR COMPUTER FORMS OR THE LIKE

[76] Inventor: Michael A. Dekarski, 13419 Larkin Dr., Minnetonka, Minn. 55343

[\*\*] Term: 14 Years

[21] Appl. No.: 160,138

[22] Filed: Jun. 16, 1980

[51] Int. Cl. .... D9-04

[52] U.S. Cl. .... D34/42

[58] Field of Search .... D34/42-44; D19/92; 220/19; 206/513; 211/181

[56] References Cited

U.S. PATENT DOCUMENTS

D. 157,571	3/1950	Dennis	.....	D34/42
D. 158,564	5/1950	Engstrom	.....	D34/42
D. 179,943	3/1957	Ipsen	.....	D34/42
D. 193,215	7/1962	Fredrick	.....	D34/42
2,662,662	12/1953	Moorhead	.....	220/19
2,765,111	10/1956	Vaughn	.....	
2,841,288	7/1958	Field et al.	.....	220/19
2,923,428	2/1960	Averill	.....	220/19

2,925,206	2/1960	Hancock	.....	220/19
2,979,323	4/1961	Bixby	.....	
3,050,073	8/1962	McMillan	.....	220/19
3,272,377	9/1966	Schray	.....	220/19
3,279,641	10/1966	Fredrick	.....	220/19
3,349,942	10/1967	Hitz	.....	220/19
3,647,077	3/1972	Gillespie	.....	220/19
4,175,761	11/1979	Marshall	.....	220/19

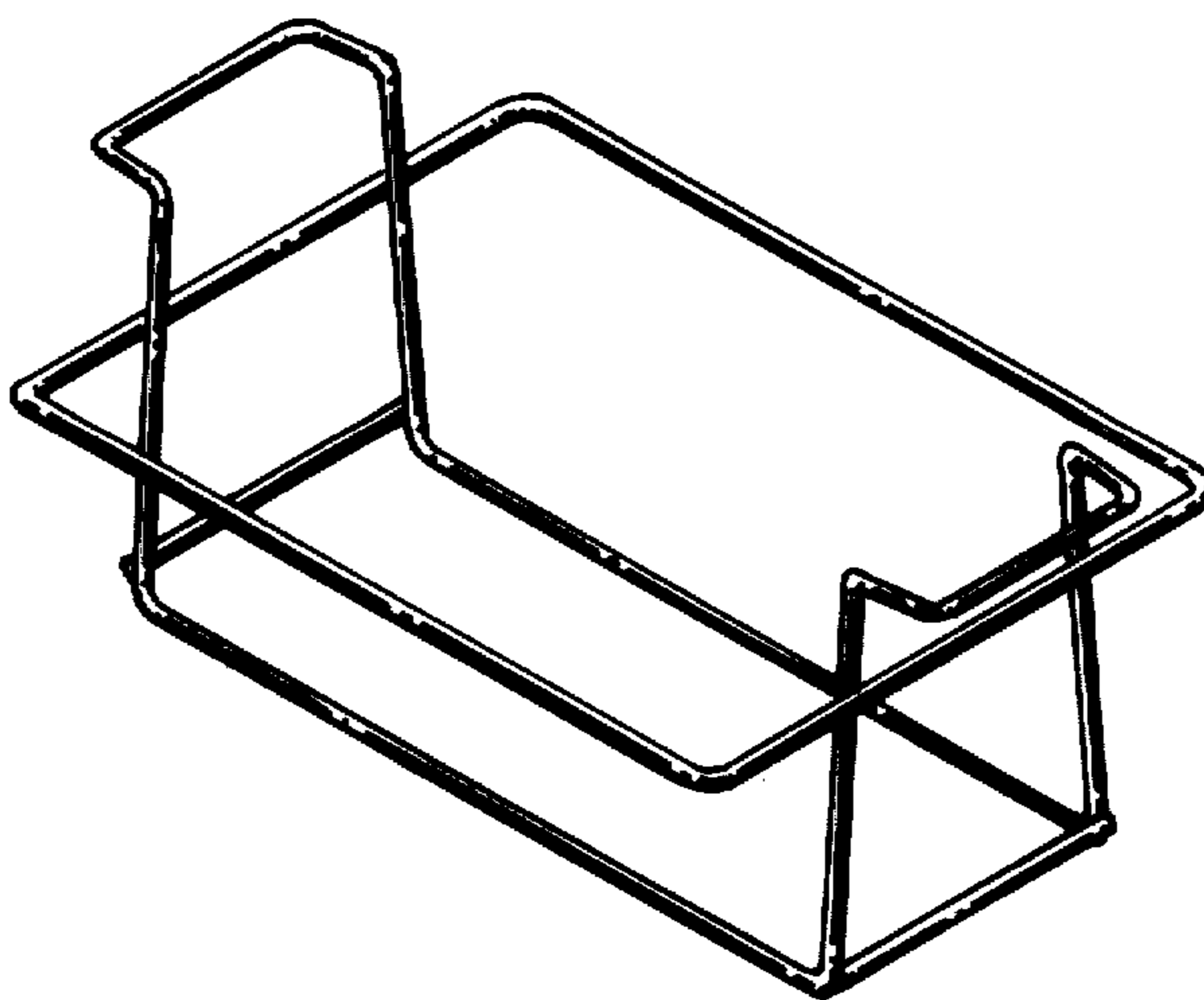
Primary Examiner—George P. Word  
Attorney, Agent, or Firm—Merchant, Gould, Smith, Edell, Welter & Schmidt

[57] CLAIM

The ornamental design for a basket for computer forms or the like, as shown and described.

DESCRIPTION

FIG. 1 is a perspective view of a basket for computer forms or the like showing my new design; FIG. 2 is an end elevational view of the basket, the view of the opposite end being identical thereto; FIG. 3 is a top plan view thereof; FIG. 4 is a side elevational view of the basket, the view of the opposite side being identical thereto; and FIG. 5 is a bottom plan view thereof.



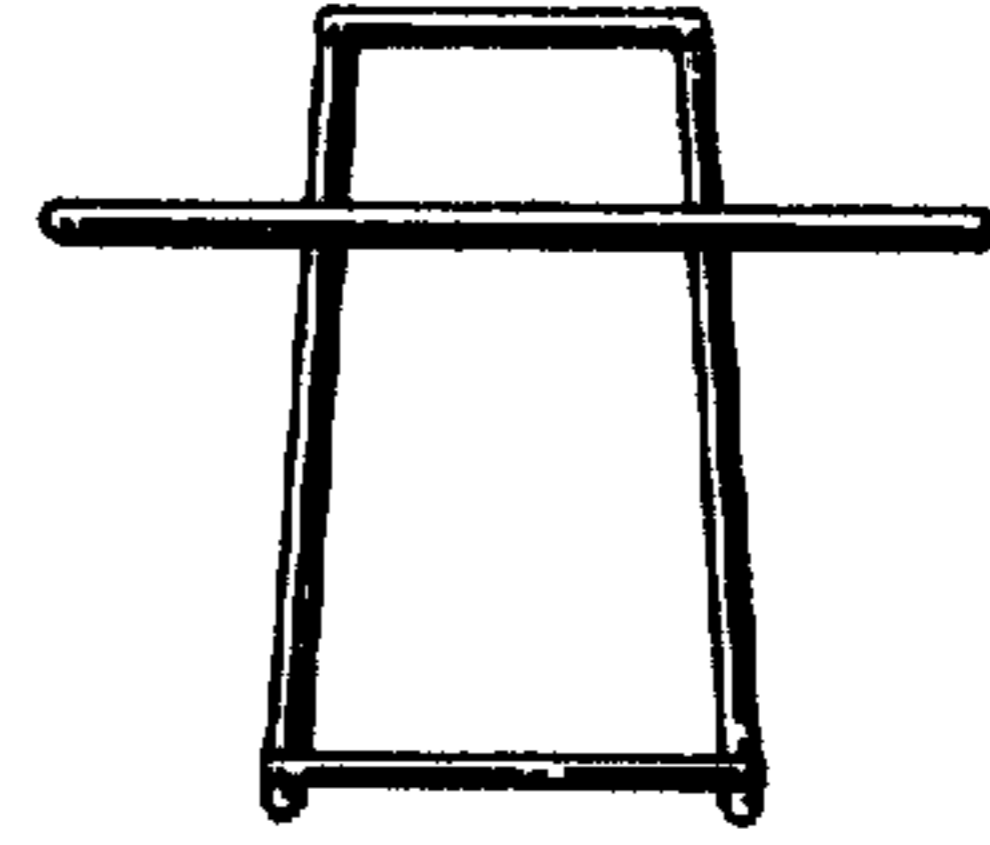
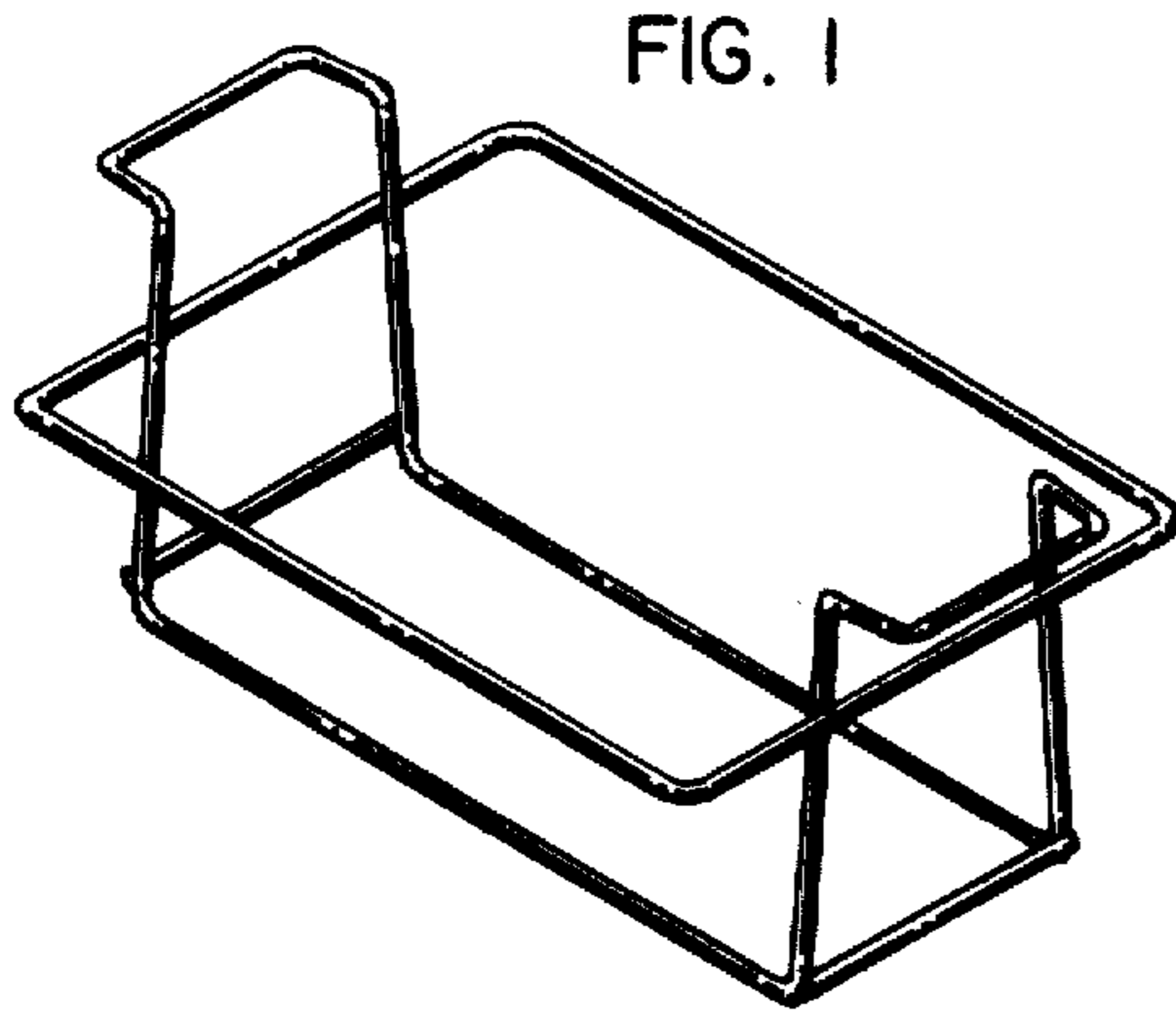


FIG. 2

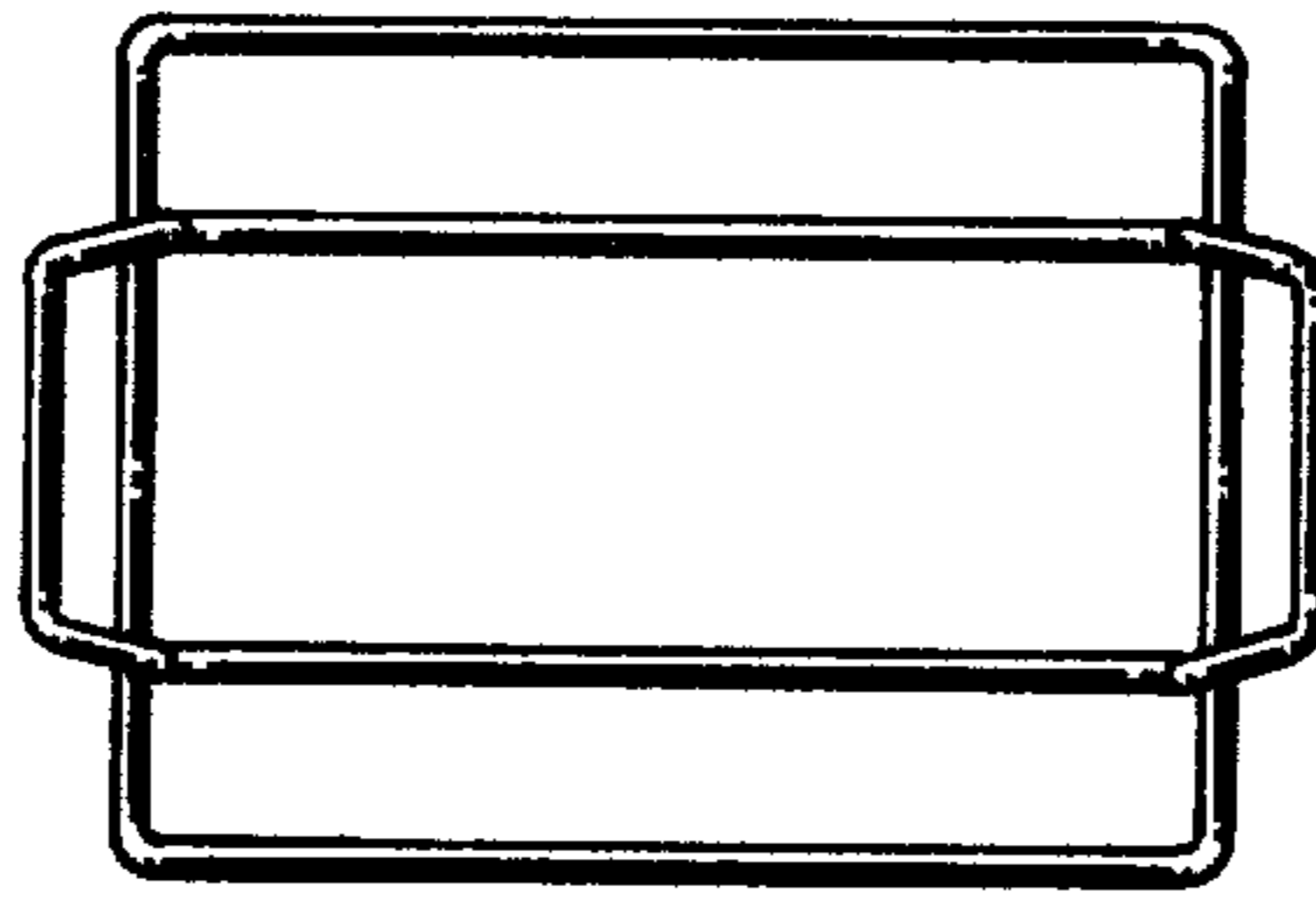


FIG. 3

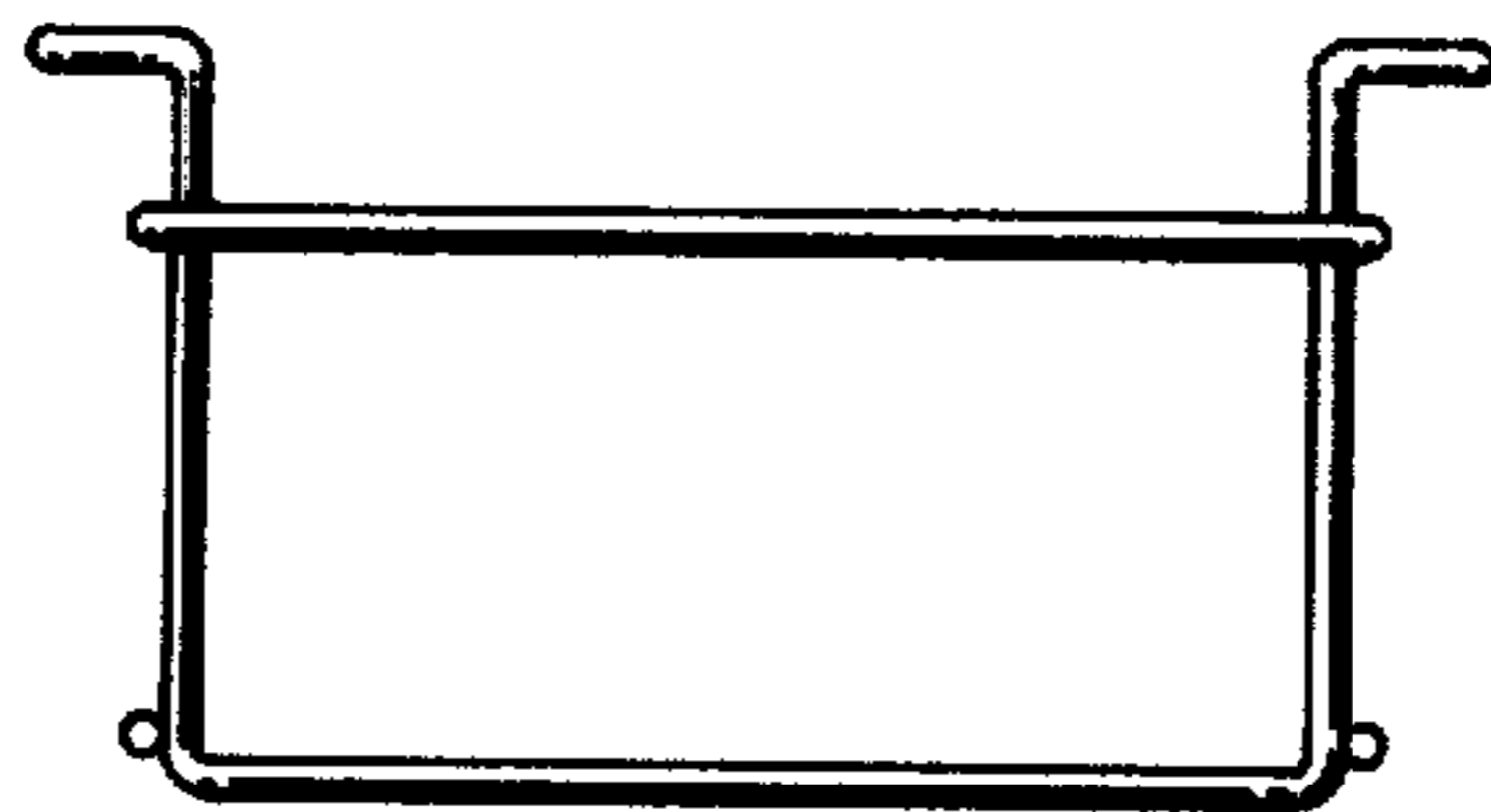


FIG. 4

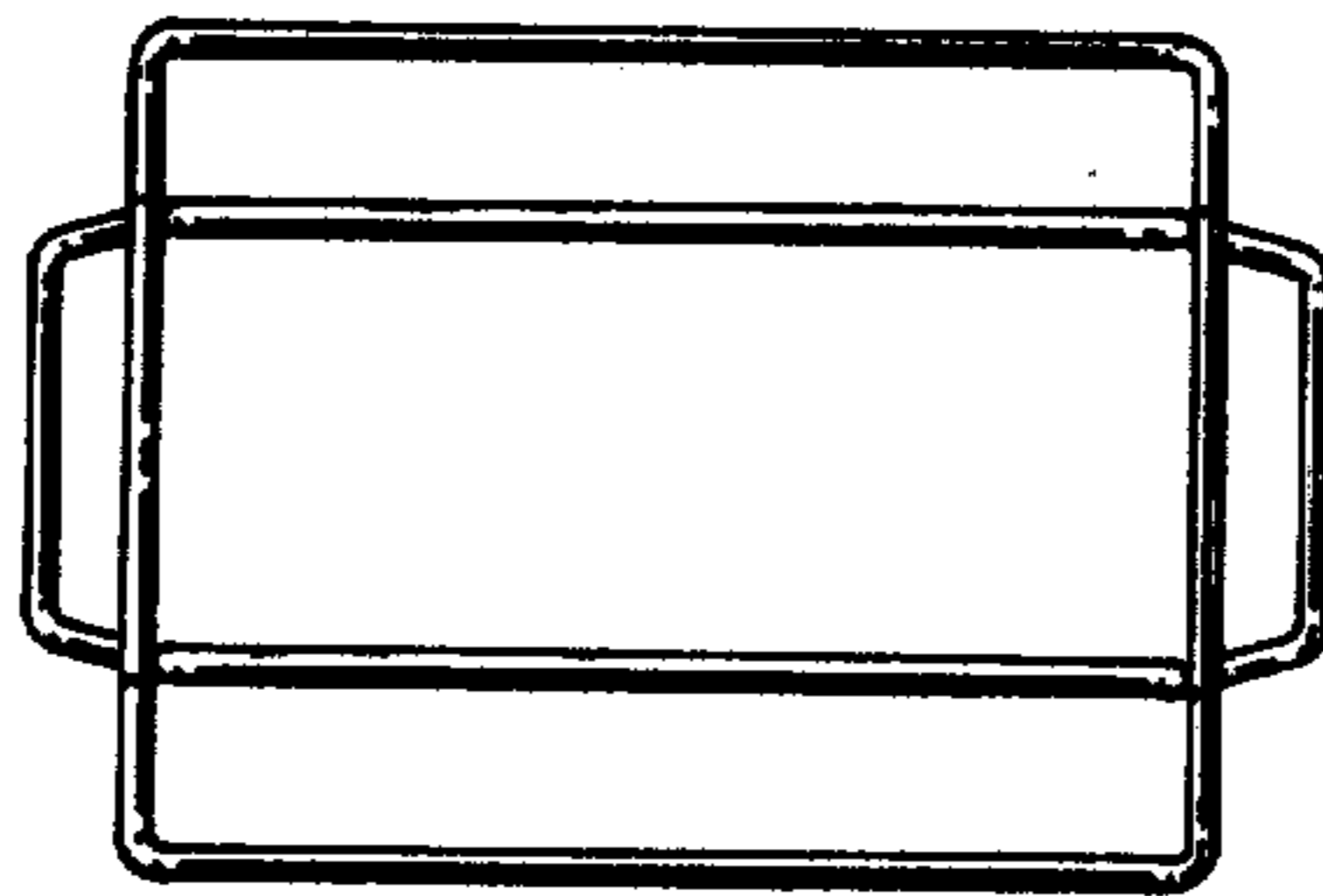


FIG. 5