

[54] **CART FOR STORING AND TRANSPORTING SOLID FUELS INCLUDING WOOD LOGS AND COAL**

[75] Inventors: **Glenn F. Schilling**, Lancaster; **James C. Varble**, Clarence Center, both of N.Y.

[73] Assignee: **Lancaster Fabricating Co., Inc.**, Lancaster, Pa.

[**] Term: **14 Years**

[21] Appl. No.: **148,542**

[22] Filed: **May 9, 1980**

[51] Int. Cl. **D12-02**

[52] U.S. Cl. **D34/17**

[58] Field of Search **D34/17; 280/47.34, 47.35, 280/79.3**

[56] **References Cited**

U.S. PATENT DOCUMENTS

- D. 236,601 9/1975 Morgan D34/17
- D. 237,597 11/1975 Clarke et al. D34/17
- 3,210,091 10/1965 Ng 280/47.35

Primary Examiner—James M. Gandy

Attorney, Agent, or Firm—Bean, Kauffman & Bean

[57] **CLAIM**

The ornamental design for a cart for storing and transporting solid fuels including wood logs and coal, as shown.

DESCRIPTION

FIG. 1 is a front perspective view of a cart for storing and transporting solid fuels including wood logs and coal showing my new design;

FIG. 2 is a front elevational view thereof;

FIG. 3 is a rear elevational view thereof;

FIG. 4 is a side elevational view thereof;

FIG. 5 is an opposite side elevational view thereof; and

FIG. 6 is a top plan view thereof.

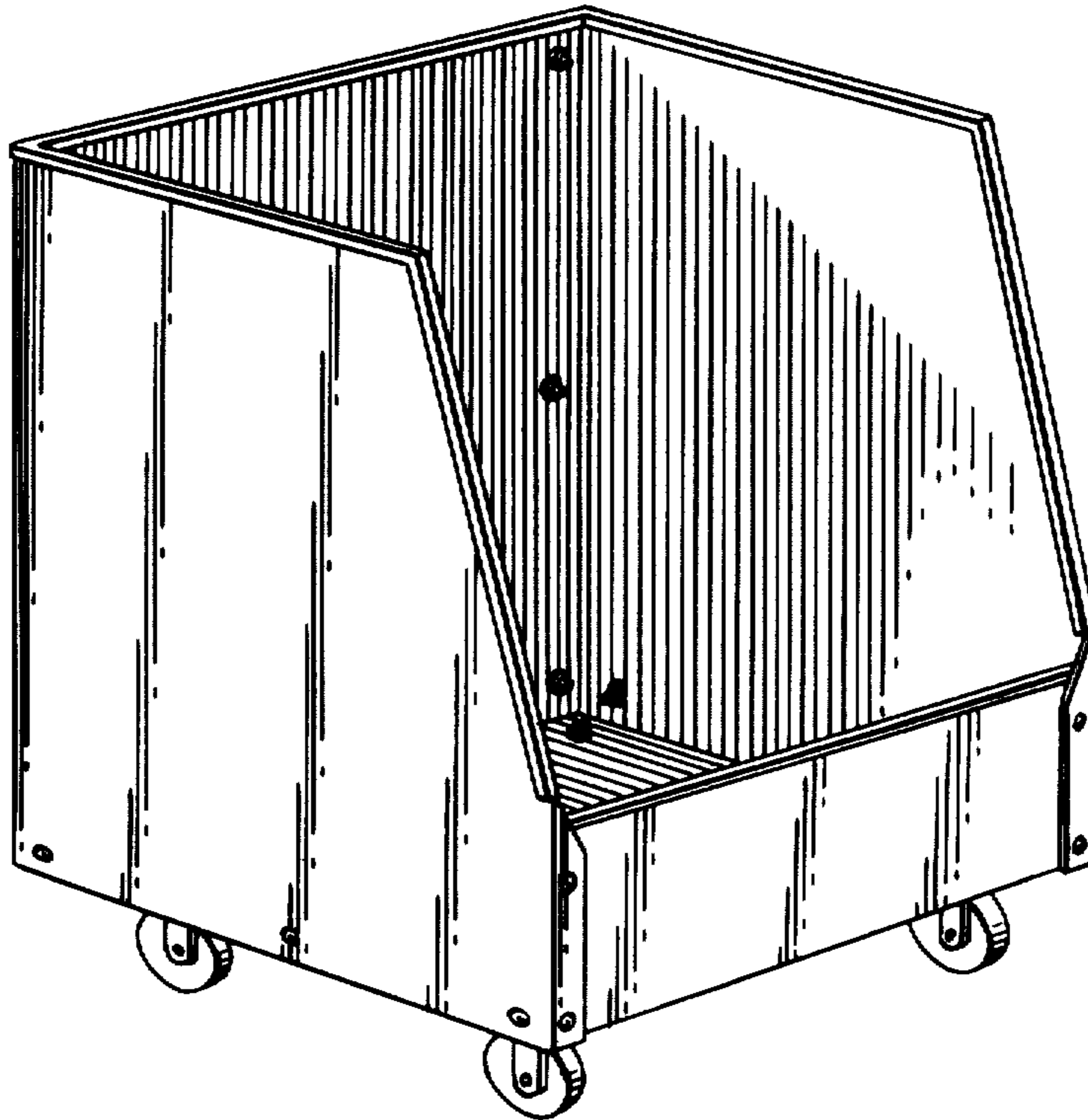


Fig. 1.

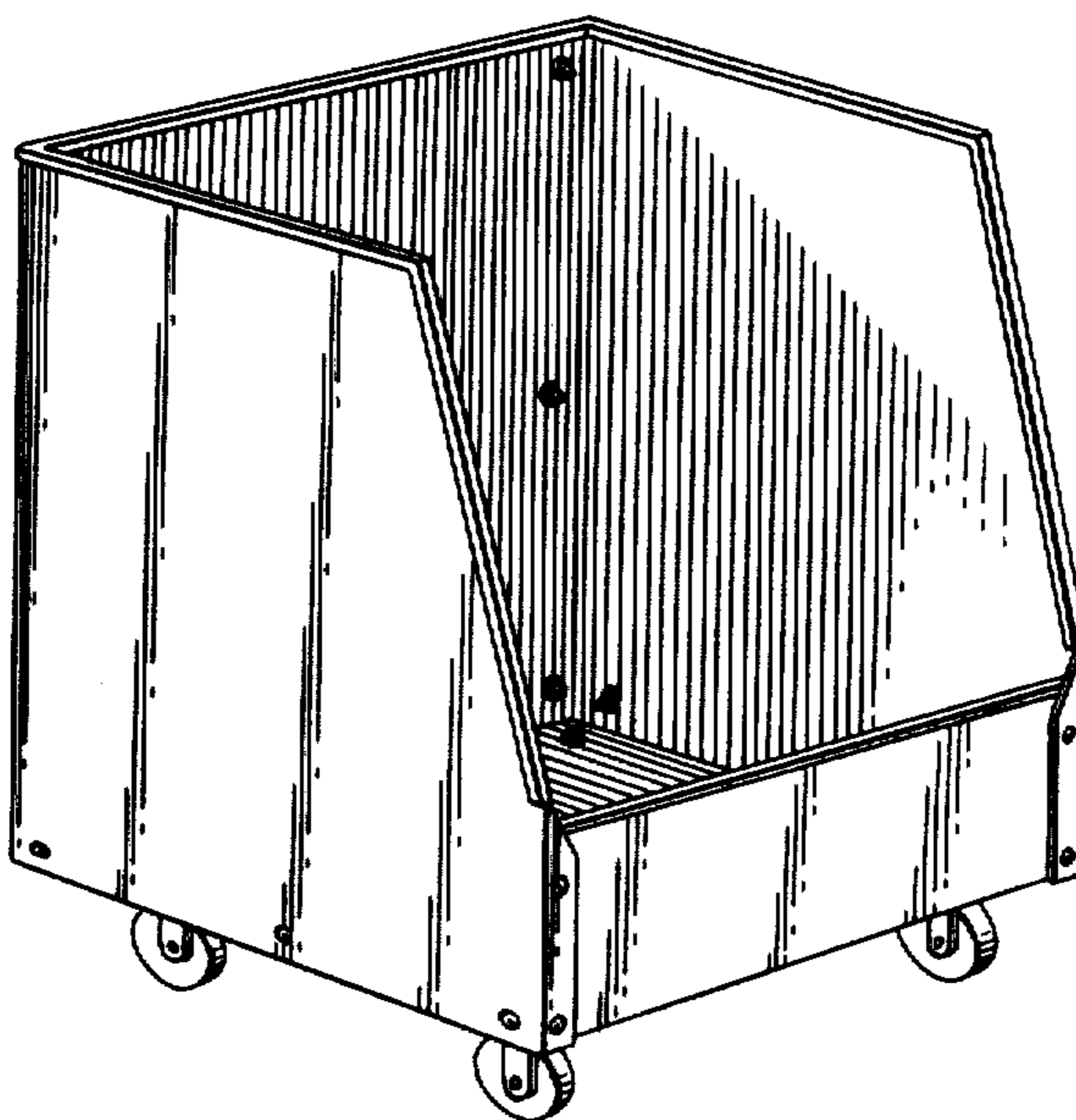


Fig. 2.

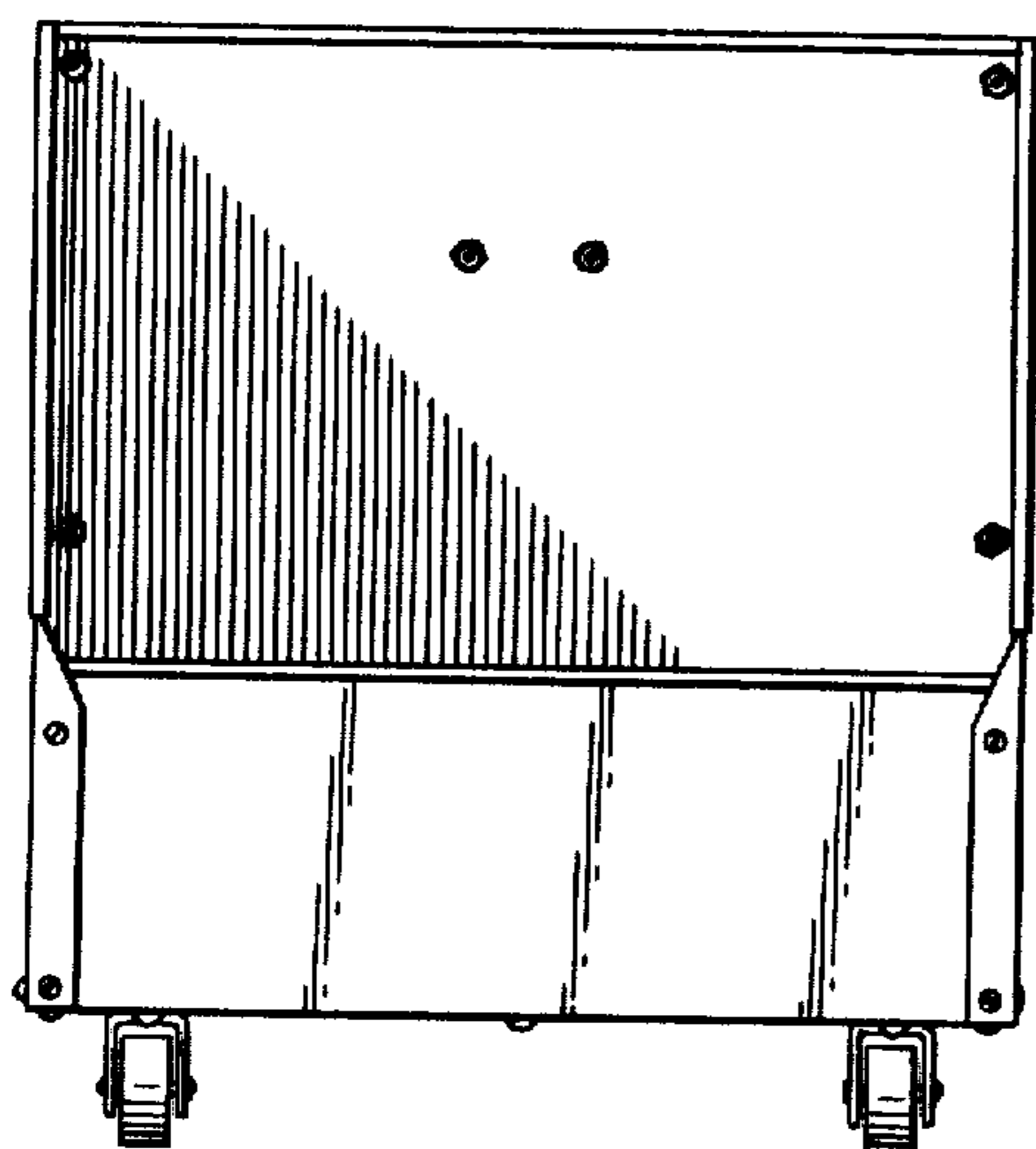


Fig. 3.

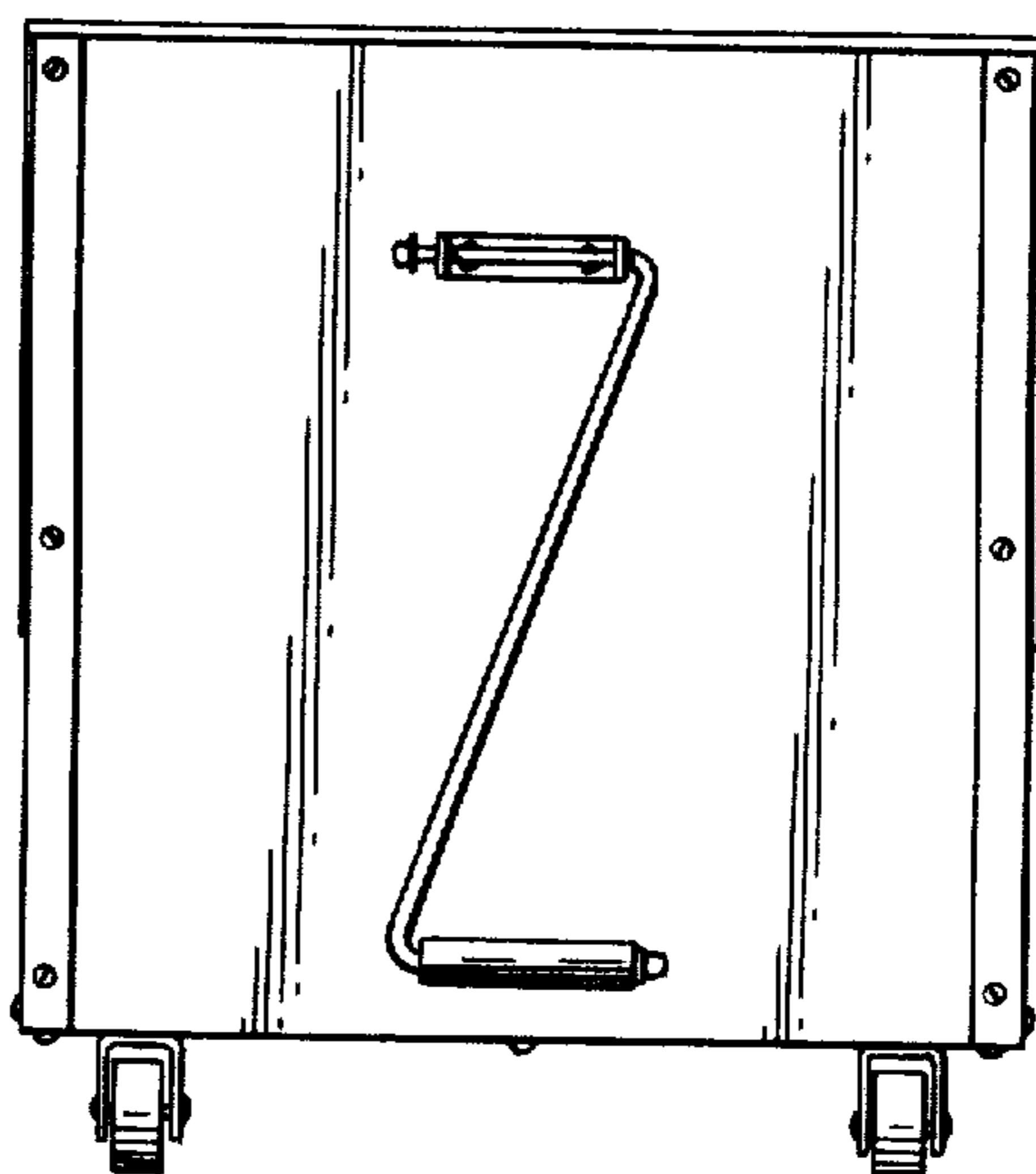


Fig. 4.

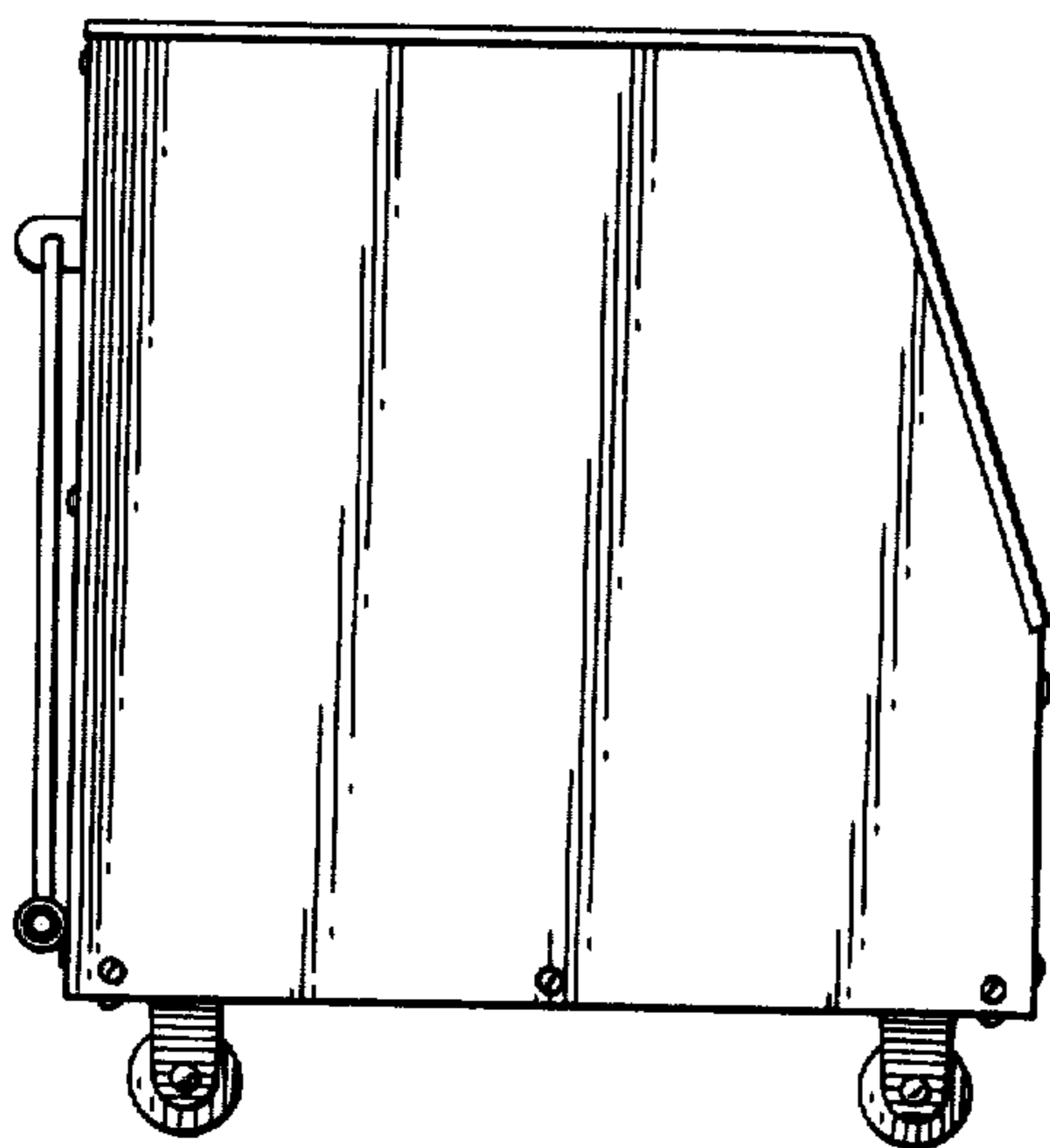


Fig. 5.

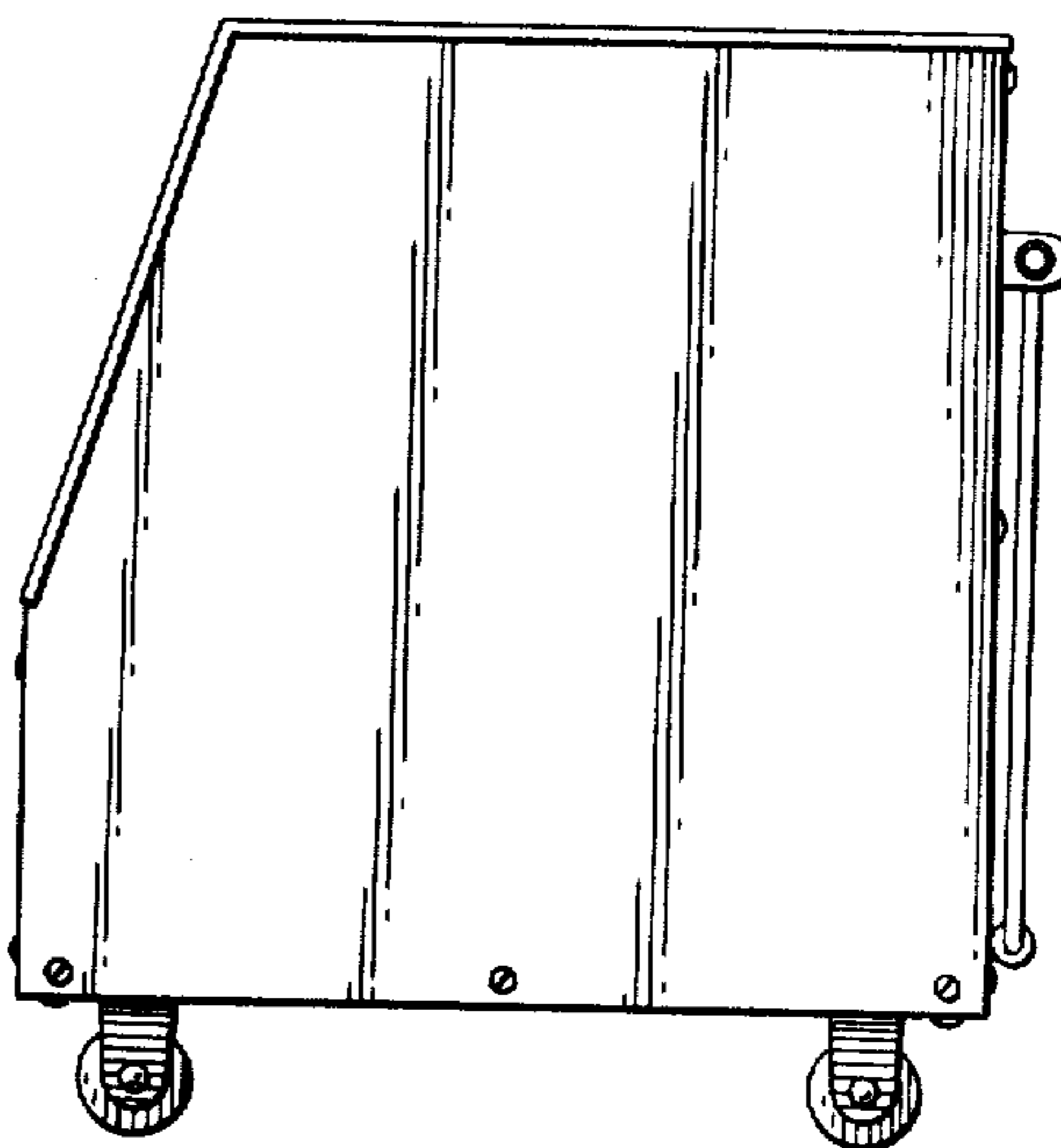


Fig. 6.

