

[54] BEAM FOR FRAME STRUCTURE

[75] Inventor: Ingvar K. Andersson, Suffle, Sweden

[73] Assignee: Aktiebolaget Electrolux, Stockholm, Sweden

[**] Term: 14 Years

[21] Appl. No.: 125,041

[22] Filed: Feb. 27, 1980

[30] Foreign Application Priority Data

Aug. 29, 1979 [SE] Sweden 79-1907

[51] Int. Cl. D25-01

[52] U.S. Cl. D25/73; D25/58; D25/77

[58] Field of Search 52/664, 241, 660, 669, 52/758 R, 284, 493, 580, 473; D25/55, 58, 70, 73, 74, 77

[56] References Cited

U.S. PATENT DOCUMENTS

3,611,666	10/1971	Poyser et al.	D25/73 X
3,755,988	9/1973	van der Sluys	52/664 X
3,995,403	12/1976	Nickell	52/664 X
4,040,231	8/1977	Laborde	52/664

FOREIGN PATENT DOCUMENTS

2559077	7/1977	Fed. Rep. of Germany	52/664
---------	--------	----------------------------	--------

Primary Examiner—A. Hugo Word

Attorney, Agent, or Firm—Alfred E. Miller

[57] CLAIM

The ornamental design for beam for frame structure, as shown and described.

DESCRIPTION

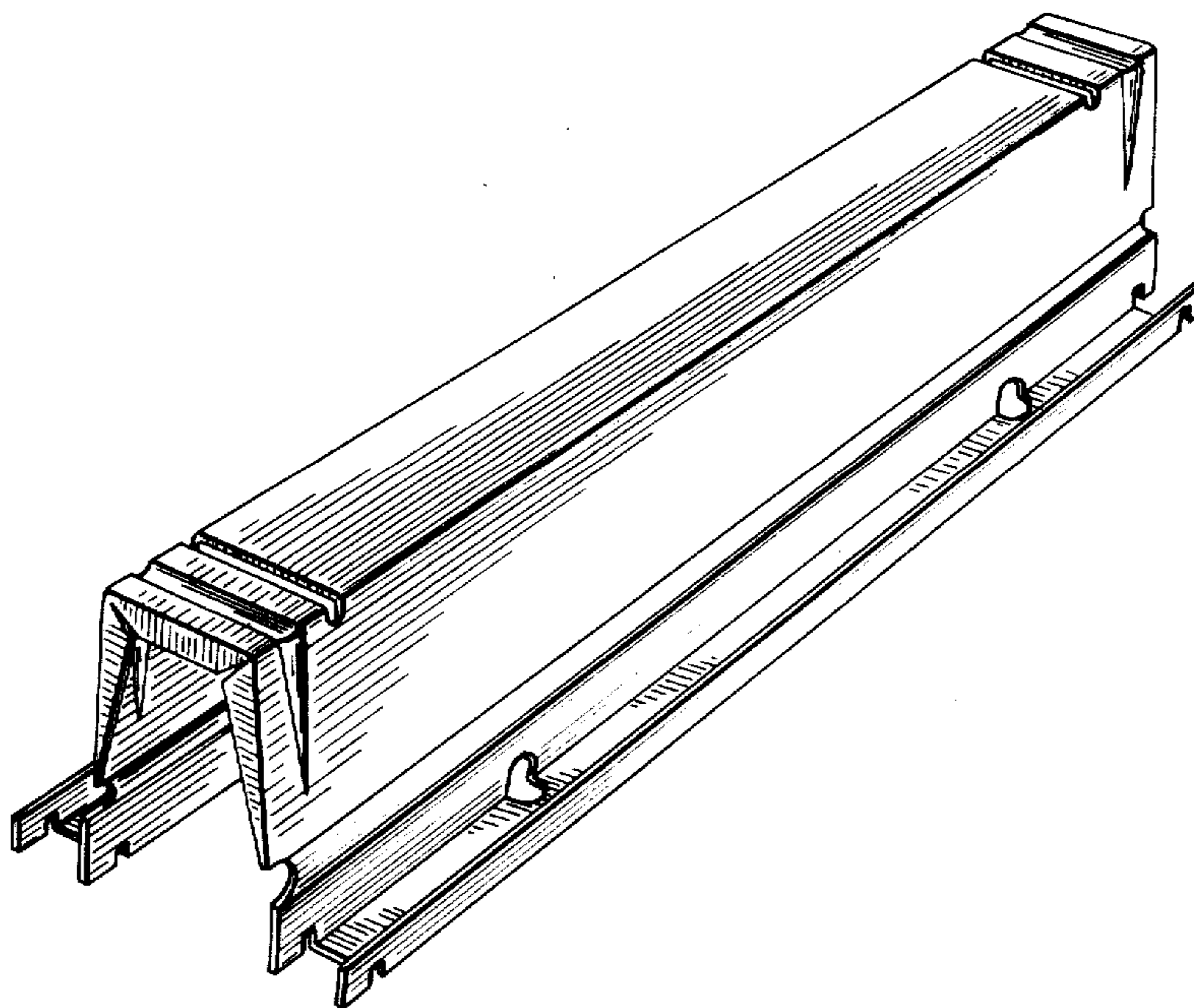
FIG. 1 is a perspective view of a beam for a frame structure;

FIG. 2 is a top view;

FIG. 3 is a side view, both sides being the same;

FIG. 4 is an end view;

FIG. 5 is a bottom view.



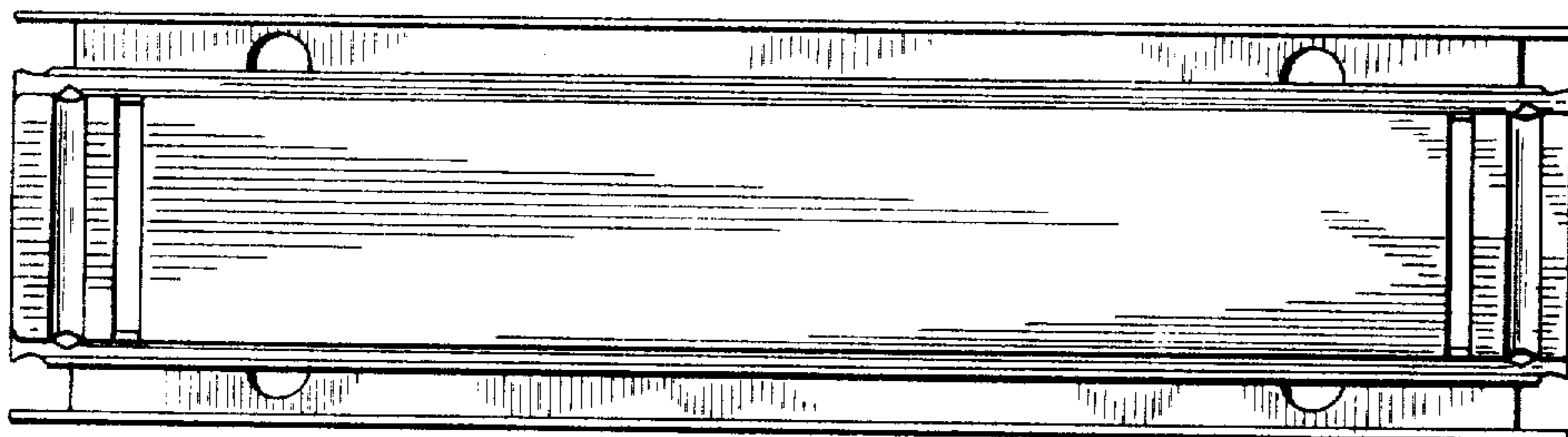
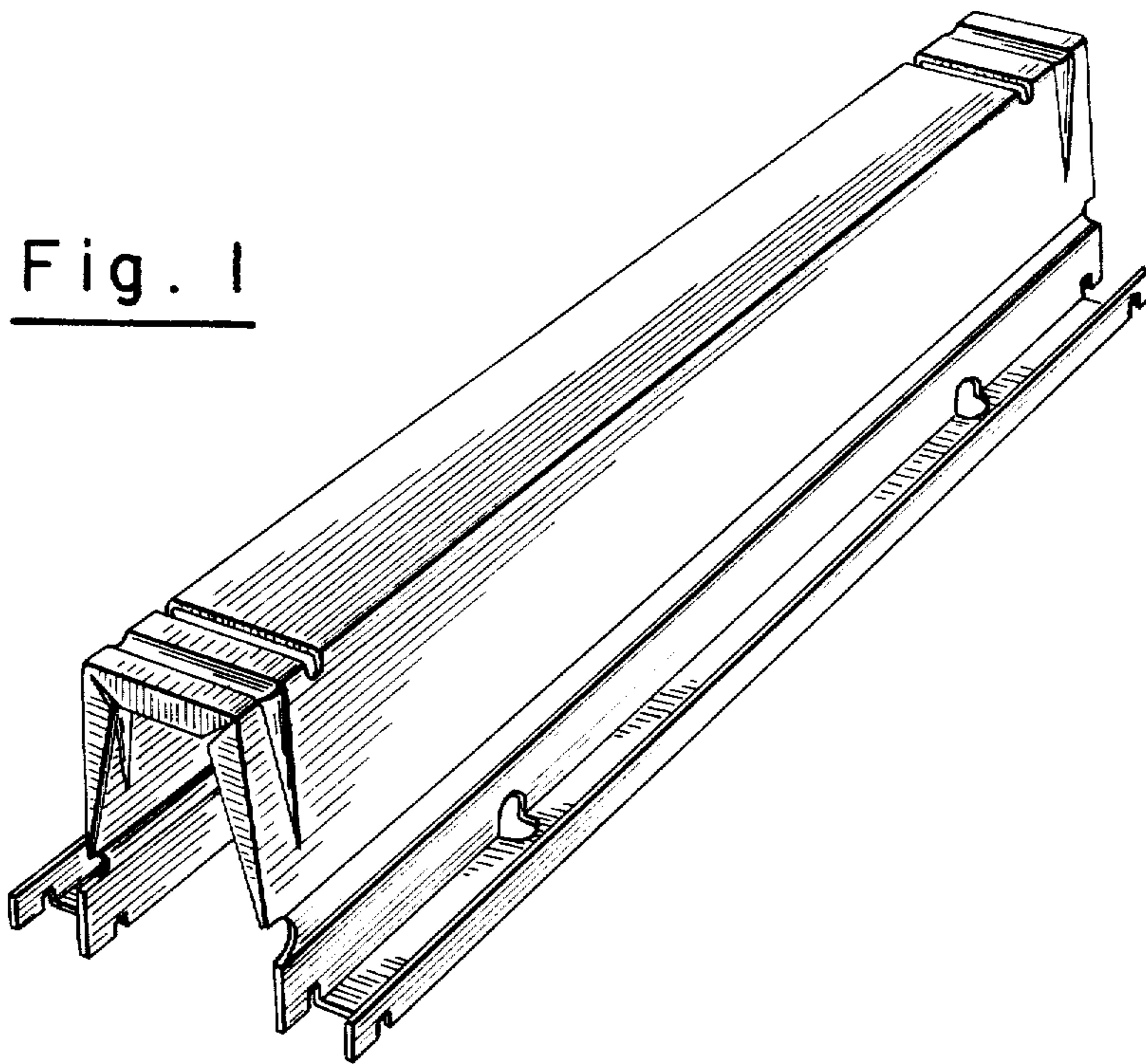


Fig. 2

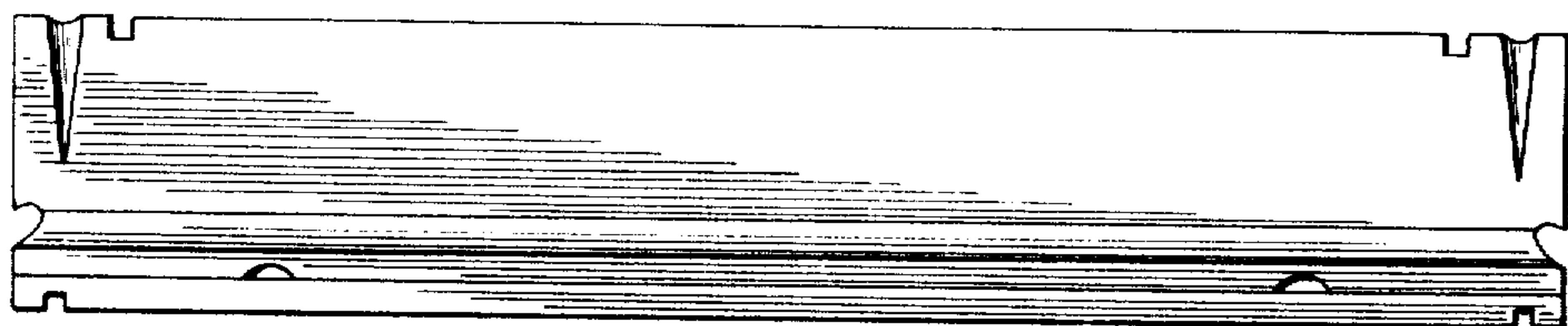


Fig. 3

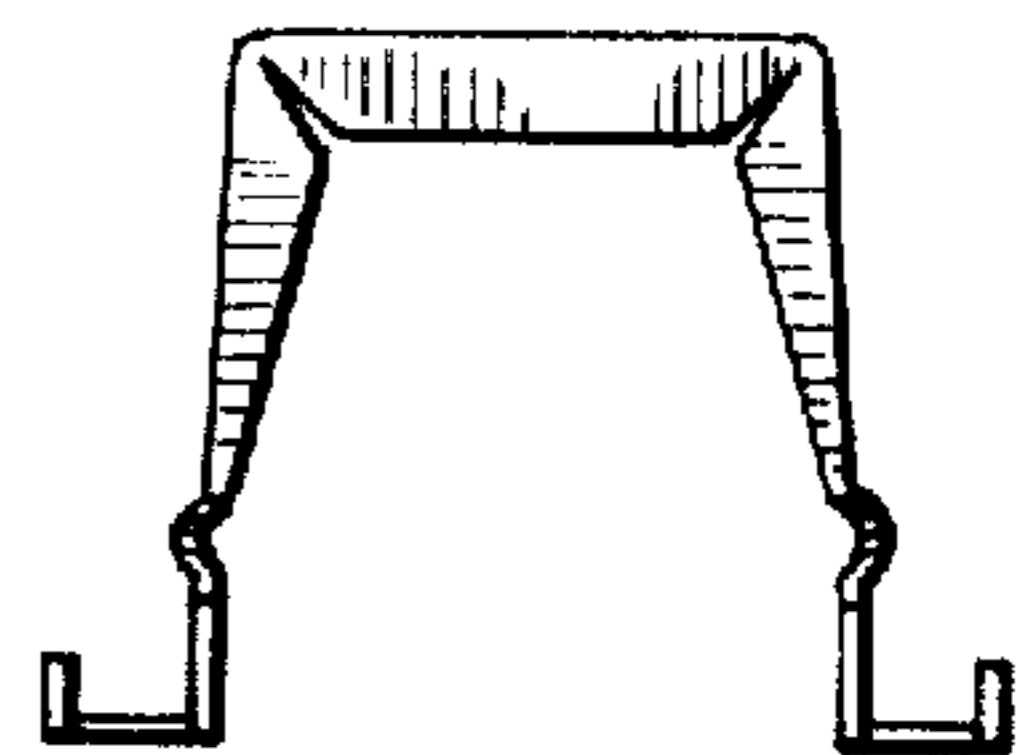


Fig. 4

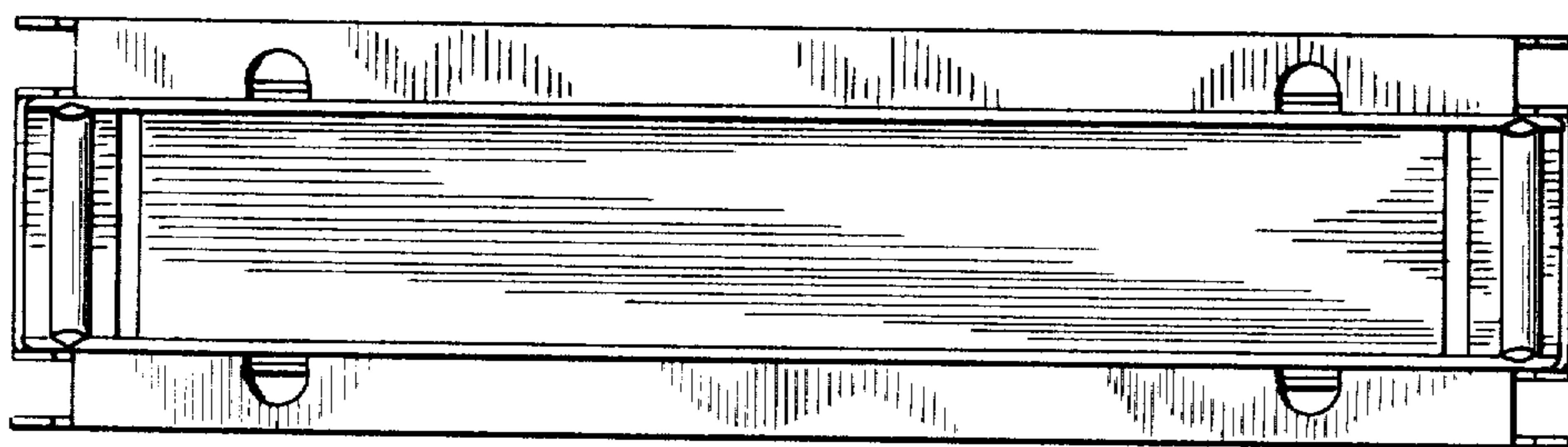


Fig. 5