

[54] **CONDITIONED AIR VESTIBULE**

[75] **Inventor:** George R. Smith, Brookeville, Md.

[73] **Assignee:** HCR Incorporated, Falls Church, Va.

[**] **Term:** 14 Years

[21] **Appl. No.:** 140,200

[22] **Filed:** Apr. 14, 1980

[51] **Int. Cl.** D23—04

[52] **U.S. Cl.** D23/140; D23/151;
D25/48; D25/60

[58] **Field of Search** D23/139, 151, 140;
D25/1, 47, 48, 50, 55, 58, 60, 98; 98/36

[56] **References Cited**

U.S. PATENT DOCUMENTS

3,112,686	12/1963	Peterson	98/36
3,115,818	12/1963	Smith	98/36
3,218,952	11/1965	Gygax	98/36
3,270,655	9/1966	Guirl et al.	98/36
3,859,900	1/1975	Fordsmand	98/36
4,074,620	2/1978	Jansson	98/36

Primary Examiner—A. Hugo Word
Attorney, Agent, or Firm—James L. Bean

[57] **CLAIM**

The ornamental design for a conditioned air vestibule, substantially as shown and described.

DESCRIPTION

FIG. 1 is a front perspective view of a conditioned air vestibule showing my new design, the rear perspective view being substantially identical thereto; FIG. 2 is a top plan view thereof; and FIG. 3 is a side elevation view thereof, the opposed side being substantially identical thereto.

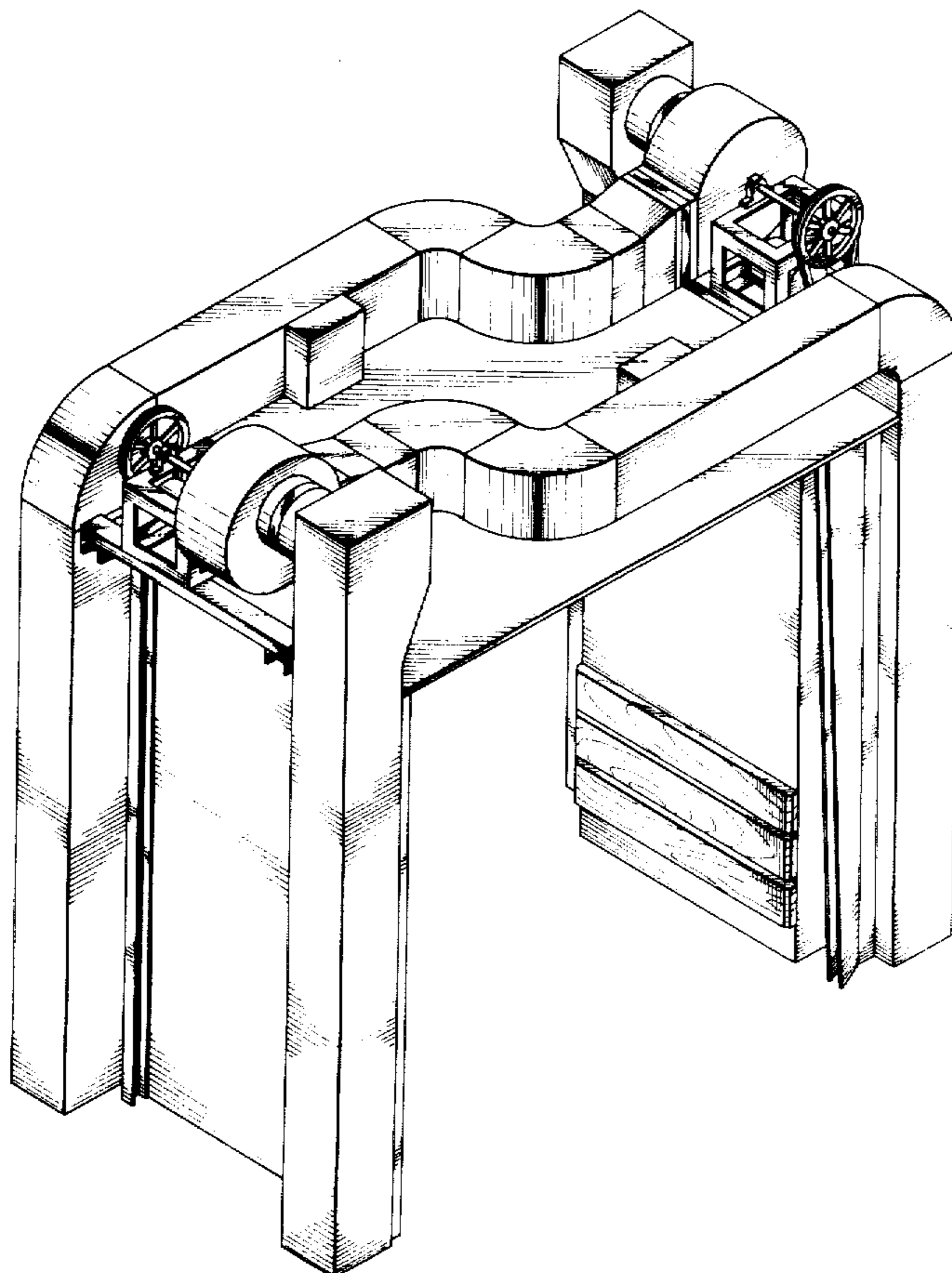


FIG. 1

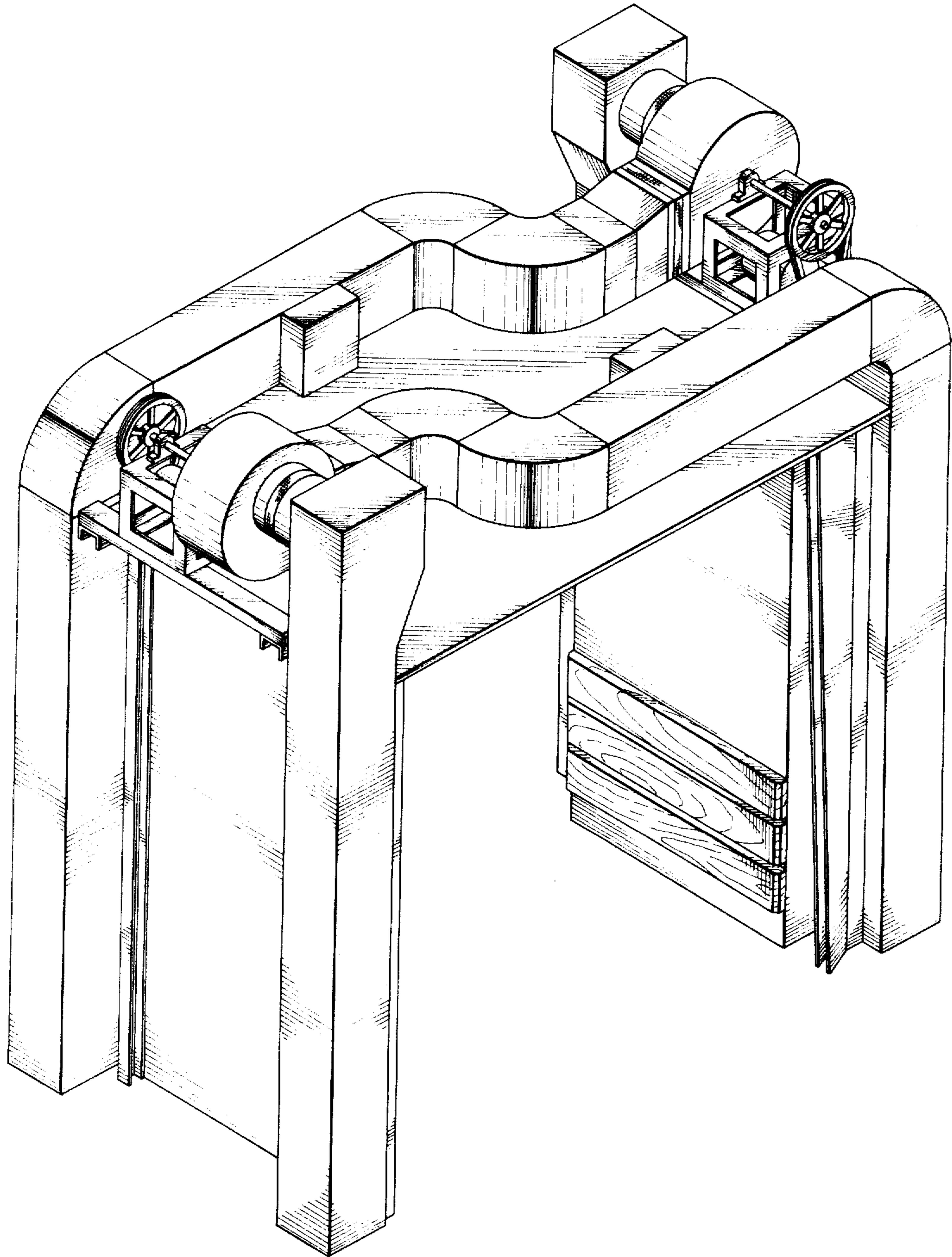


FIG. 2

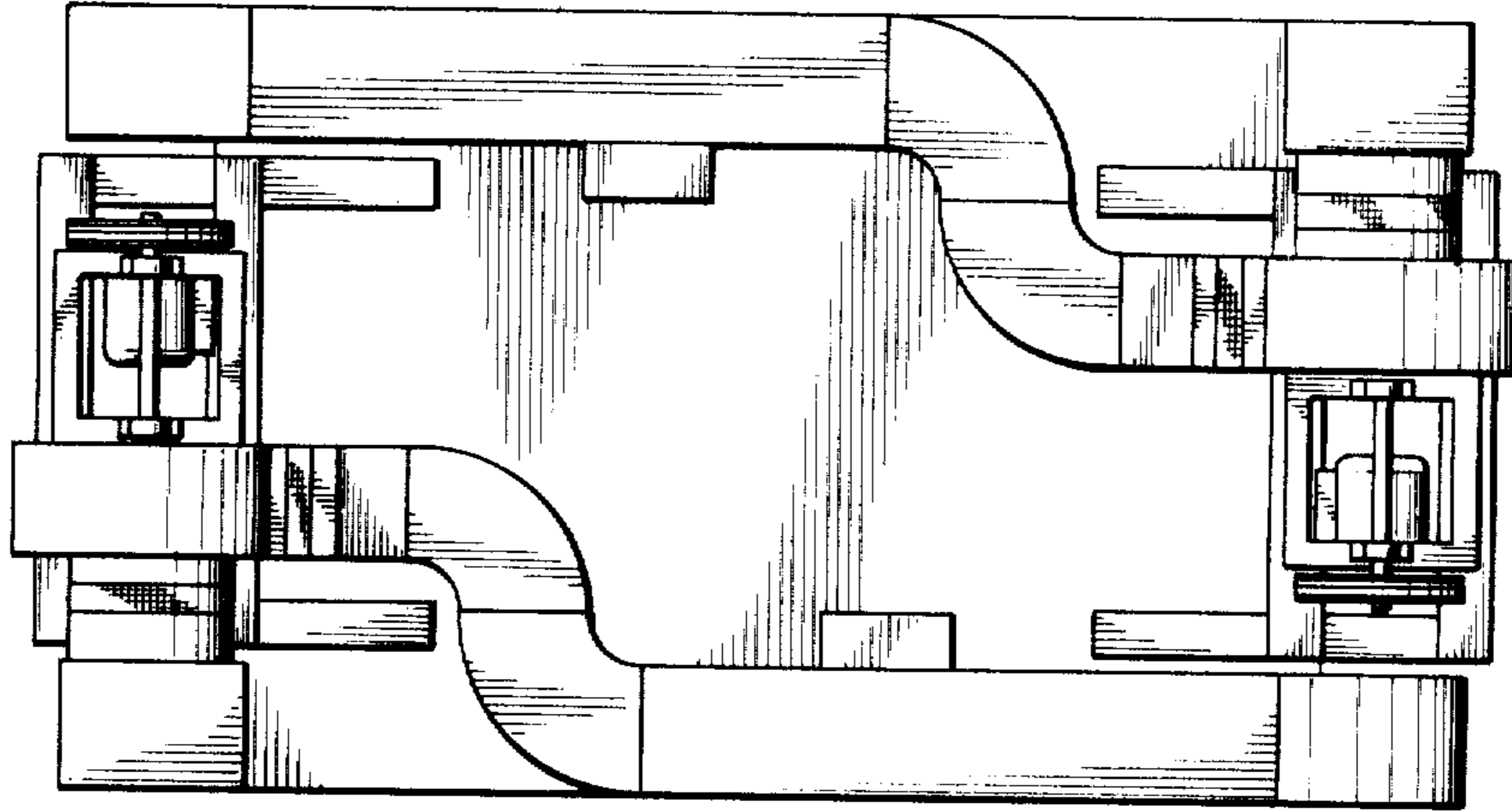


FIG. 3

