

[54] **COMBINED LAVATORY AND SUPPORT PEDESTAL**

[75] Inventor: **Hertha A. Bengtson**, Mölle, Sweden

[73] Assignee: **American Standard Inc.**, New York, N.Y.

[\*\*] Term: **14 Years**

[21] Appl. No.: **70,272**

[22] Filed: **Aug. 27, 1979**

[30] **Foreign Application Priority Data**

Mar. 22, 1979 [DE] Fed. Rep. of Germany ..... 20AR250

[51] Int. Cl. .... **D23—02**

[52] U.S. Cl. .... **D23/61**

[58] Field of Search ..... **D23/58-64;**  
4/619, 643, 646

[56] **References Cited**

**U.S. PATENT DOCUMENTS**

1,970,790 8/1934 Zwermann ..... 4/646

**OTHER PUBLICATIONS**

Domestic Engineering, May 1959, p. 150, top left item.

Design, Aug. 1961, p. 10.

Stile Industria, Jul. 18, 1960, p. XXXI.

*Primary Examiner*—James R. Largen

*Attorney, Agent, or Firm*—James J. Salerno, Jr.; Robert G. Crooks

[57] **CLAIM**

The ornamental design for a combined lavatory and support pedestal, substantially as shown and described.

**DESCRIPTION**

FIG. 1 is a perspective view of a combined lavatory and support pedestal illustrating my new design;

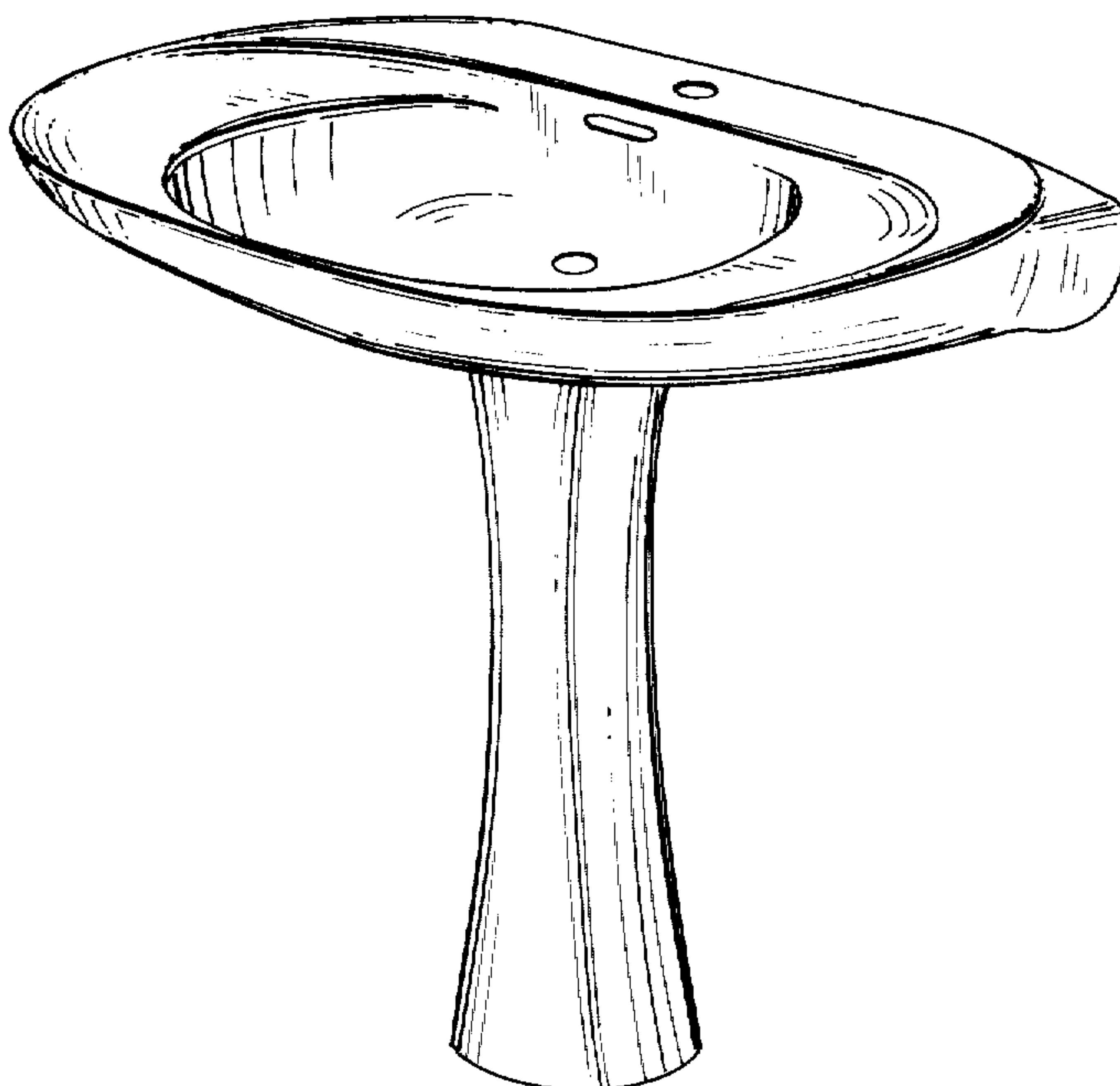
FIG. 2 is a front elevational view thereof;

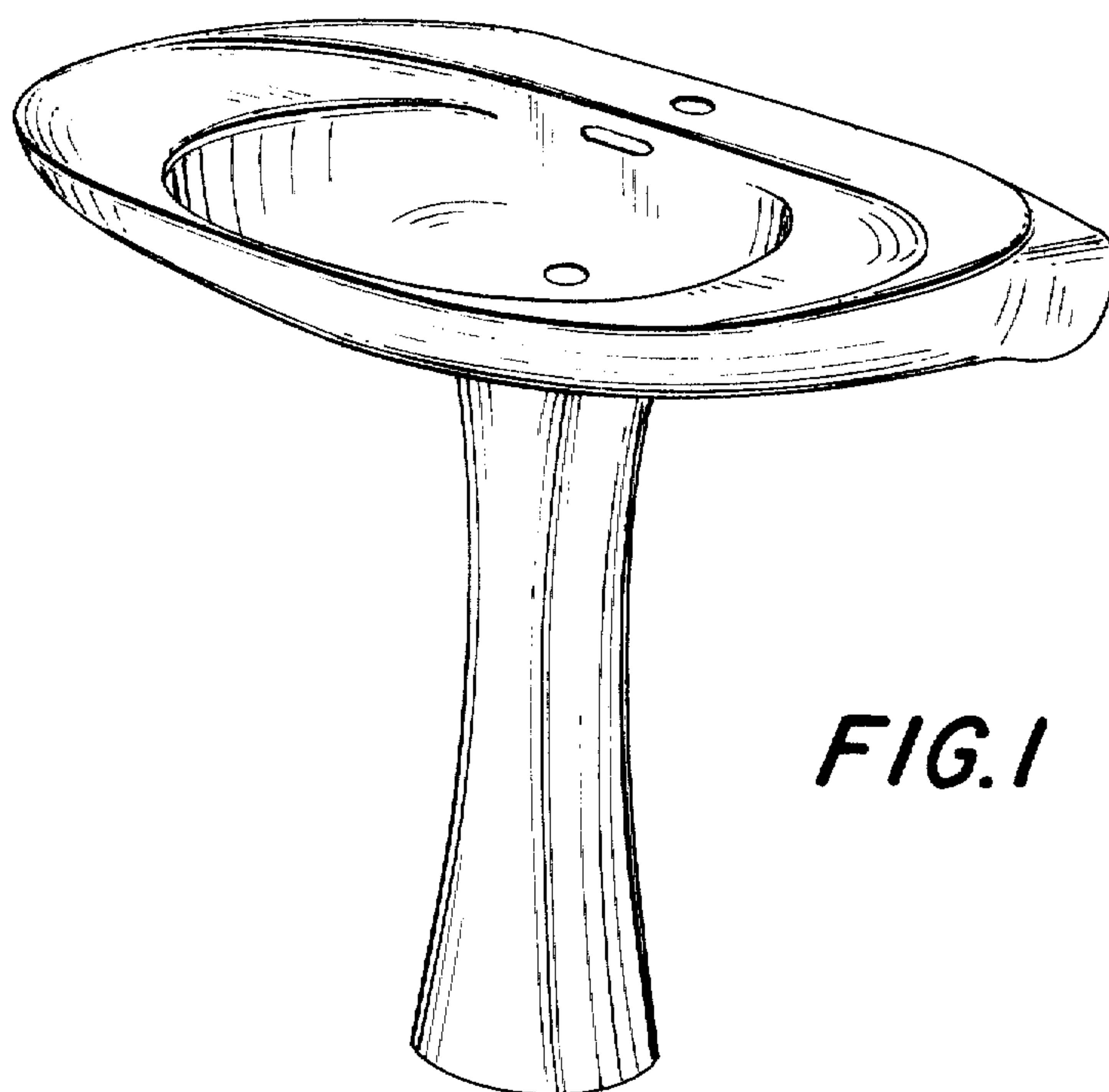
FIG. 3 is a right side elevational view thereof, the left side being a mirror image of the right side shown;

FIG. 4 is a top plan view thereof;

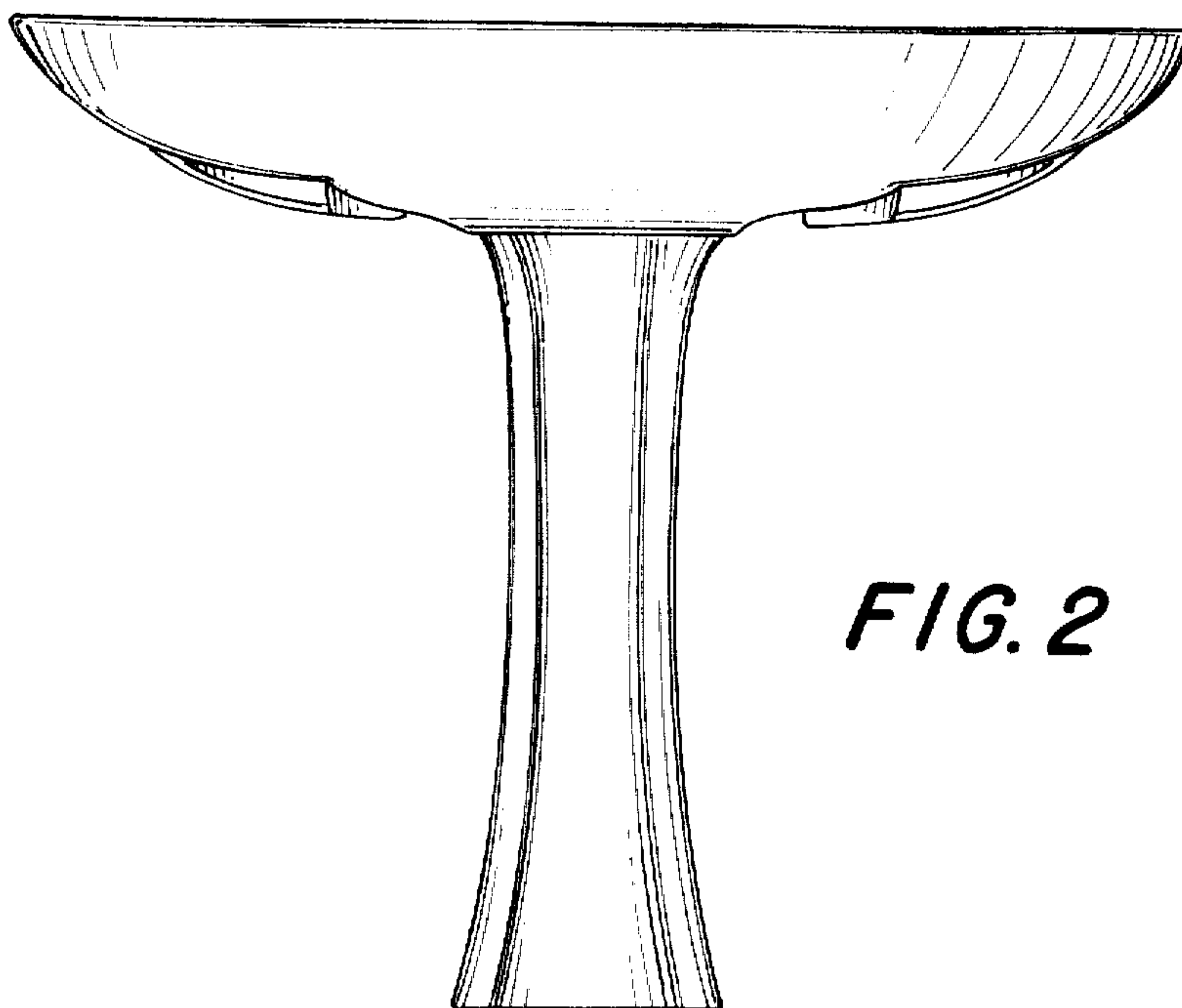
FIG. 5 is a rear elevational view thereof; and

FIG. 6 is a bottom plan view thereof.

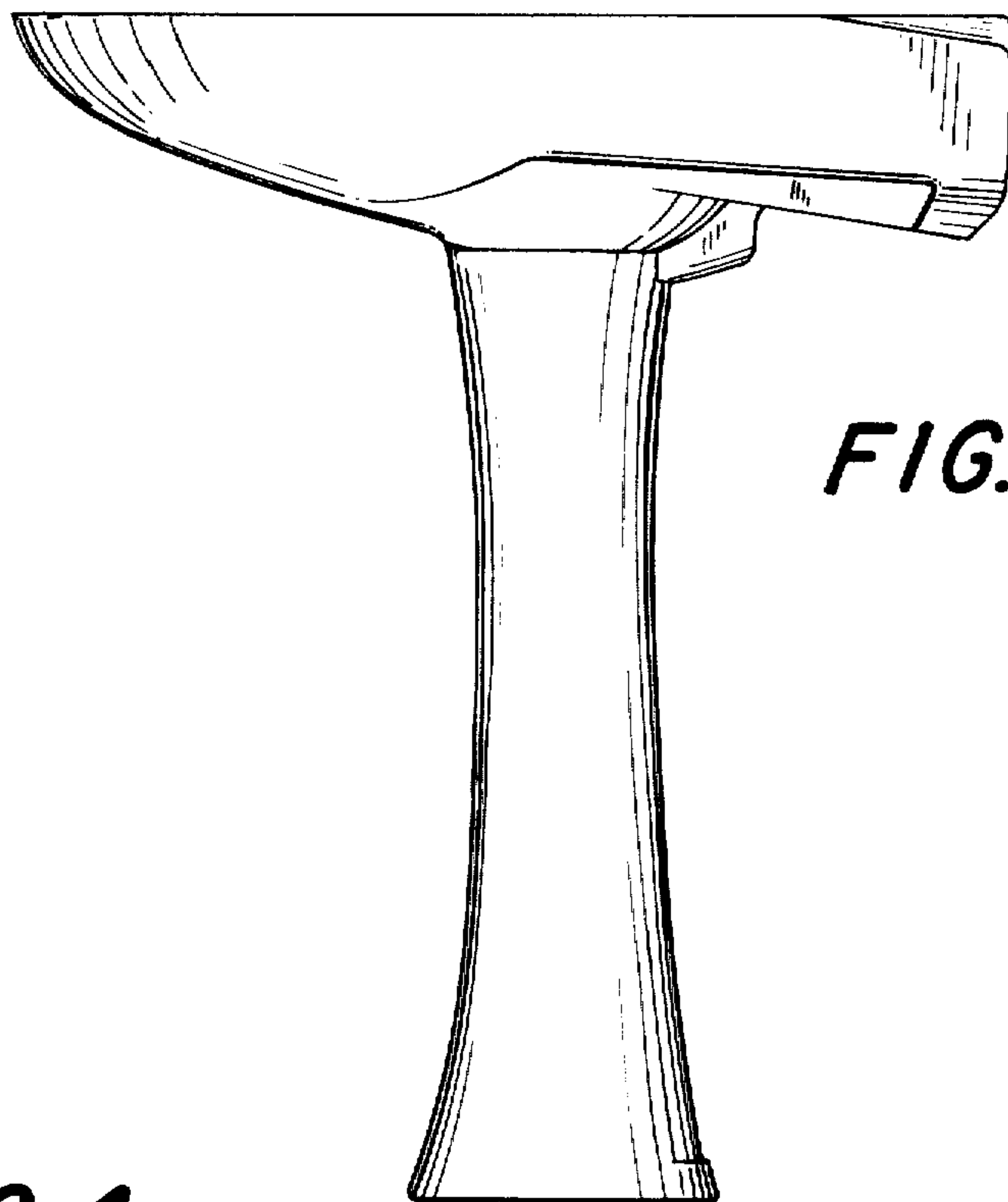




**FIG. 1**

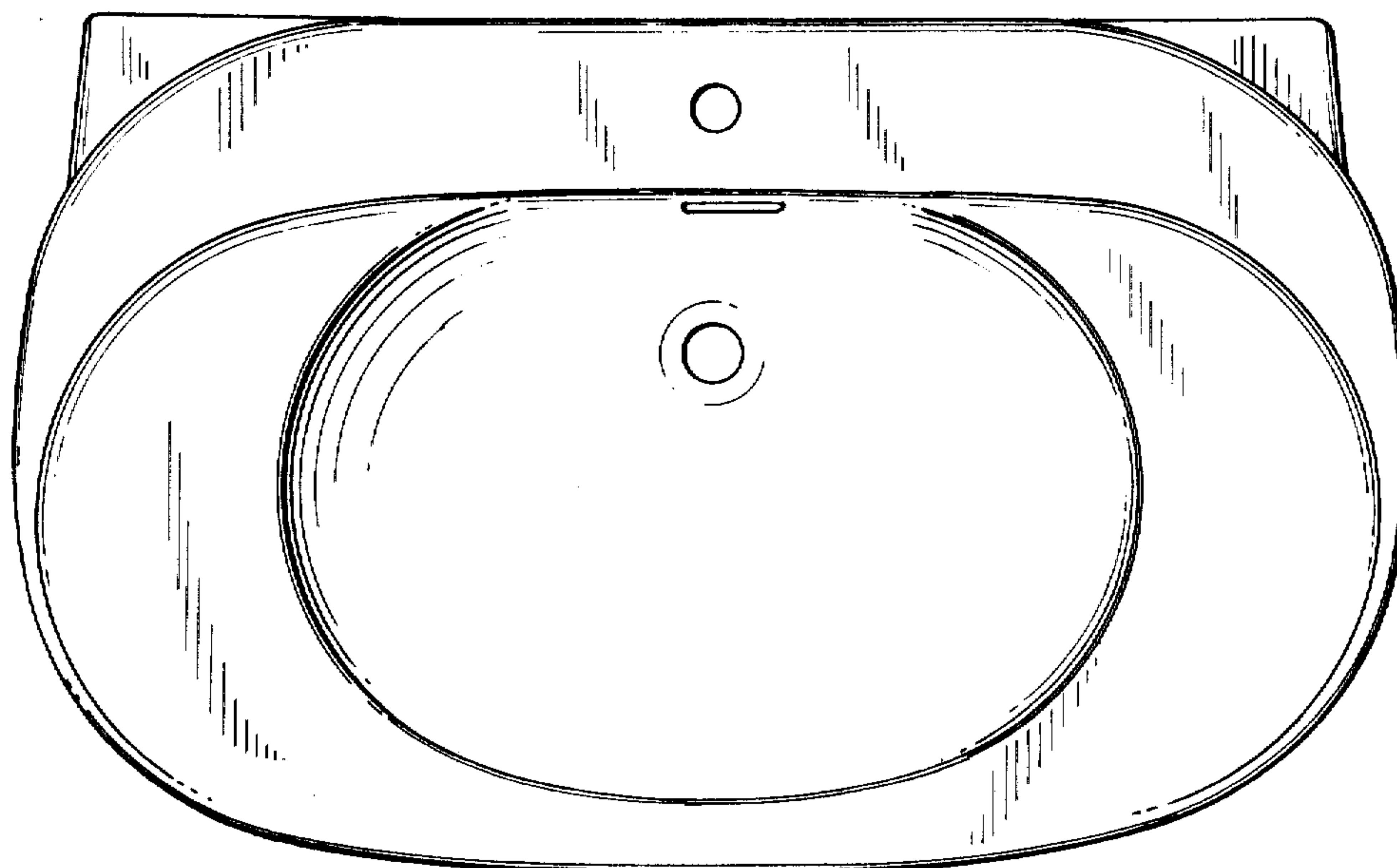


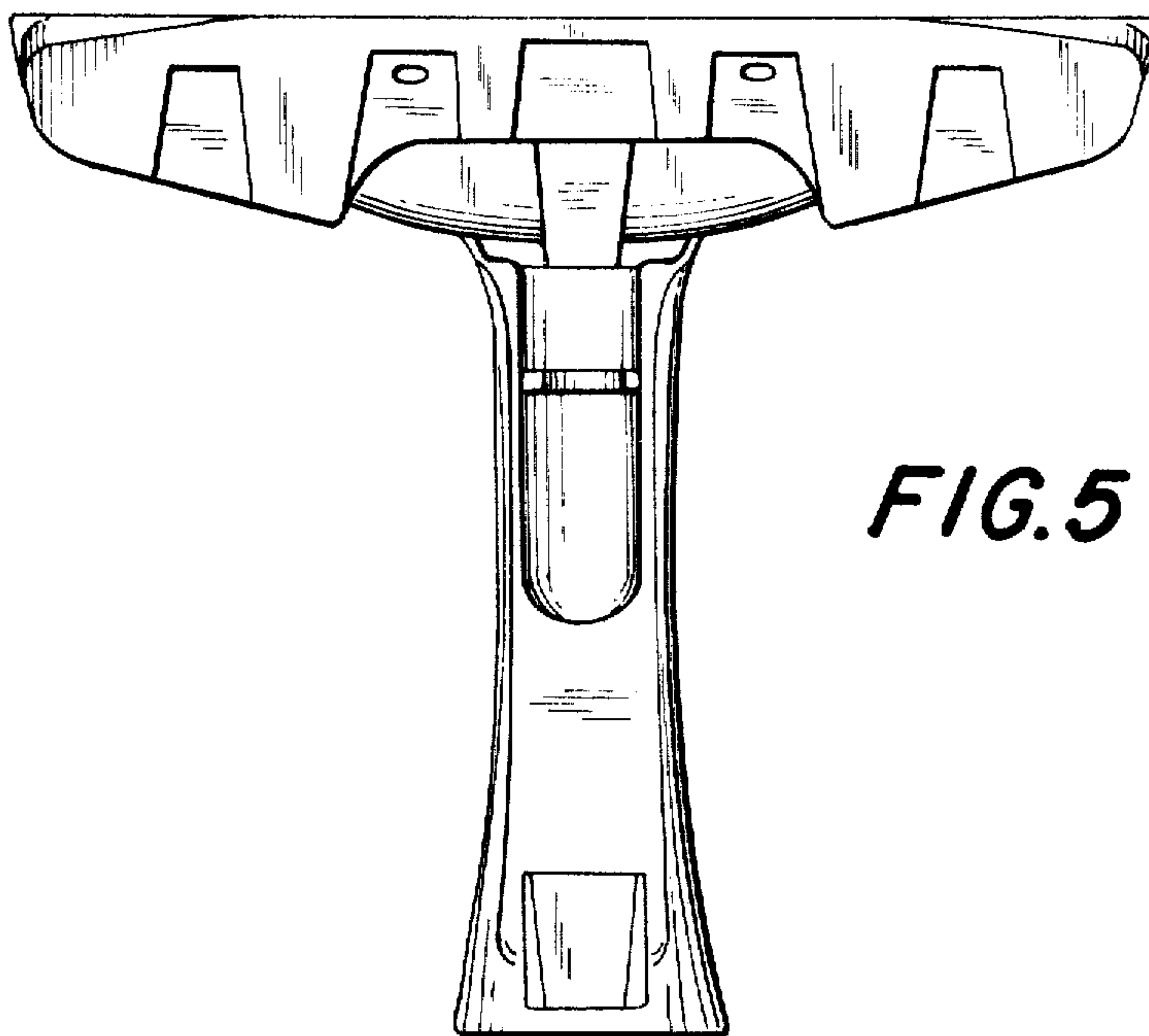
**FIG. 2**



**FIG. 3**

**FIG. 4 ·**





**FIG. 5**

**FIG. 6**

