

- [54] **ROLLER SKATE**
- [75] Inventor: **Wallace E. Orth, Sublette, Kans.**
- [73] Assignee: **Skee-Bike, Inc., Sublette, Kans.**
- [**] Term: **14 Years**
- [21] Appl. No.: **151,524**
- [22] Filed: **May 19, 1980**
- [51] Int. Cl. **D21-02**
- [52] U.S. Cl. **D21/226**
- [58] Field of Search **D21/224, 225, 226;**
280/11.23, 11.19, 11.18 T

- [56] **References Cited**
U.S. PATENT DOCUMENTS
D. 81,773 8/1930 Brinkman D21/226

D. 217,269	4/1970	Swanberg	D21/226
1,194,102	8/1916	Webb	D21/226
2,545,543	3/1951	Bottrill	280/11.23
4,108,451	8/1978	Scheck	280/11.2

Primary Examiner—Charles A. Rademaker
Attorney, Agent, or Firm—Lowe, Kokjer, Kircher,
Wharton & Bowman

[57] **CLAIM**

The ornamental design for a roller skate, as shown and described.

DESCRIPTION

FIG. 1 is a side elevational view of one side of a roller skate illustrating our new design, the other side appearing substantially a mirror image of the side shown; FIG. 2 is a top plan view thereof; FIG. 3 is a rear elevational view thereof; and FIG. 4 is a front elevational view thereof.

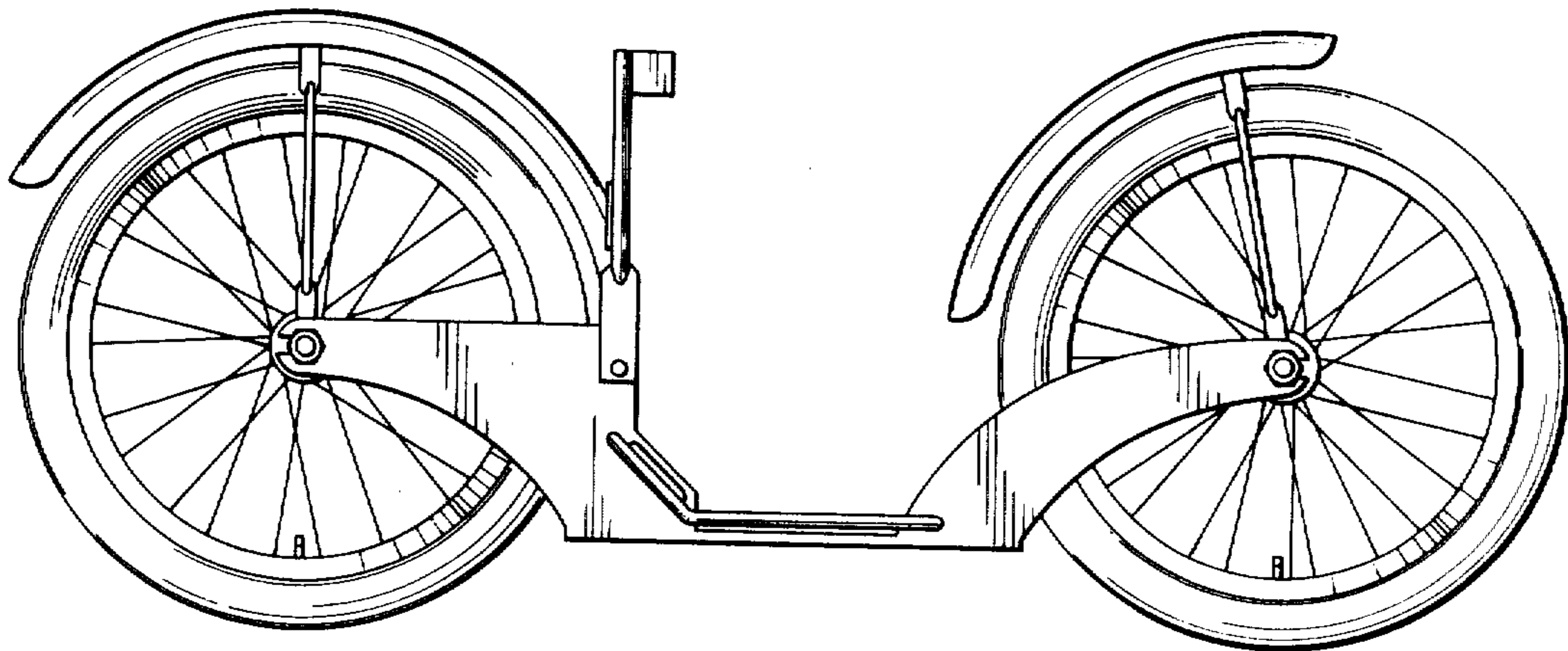


Fig. 1.

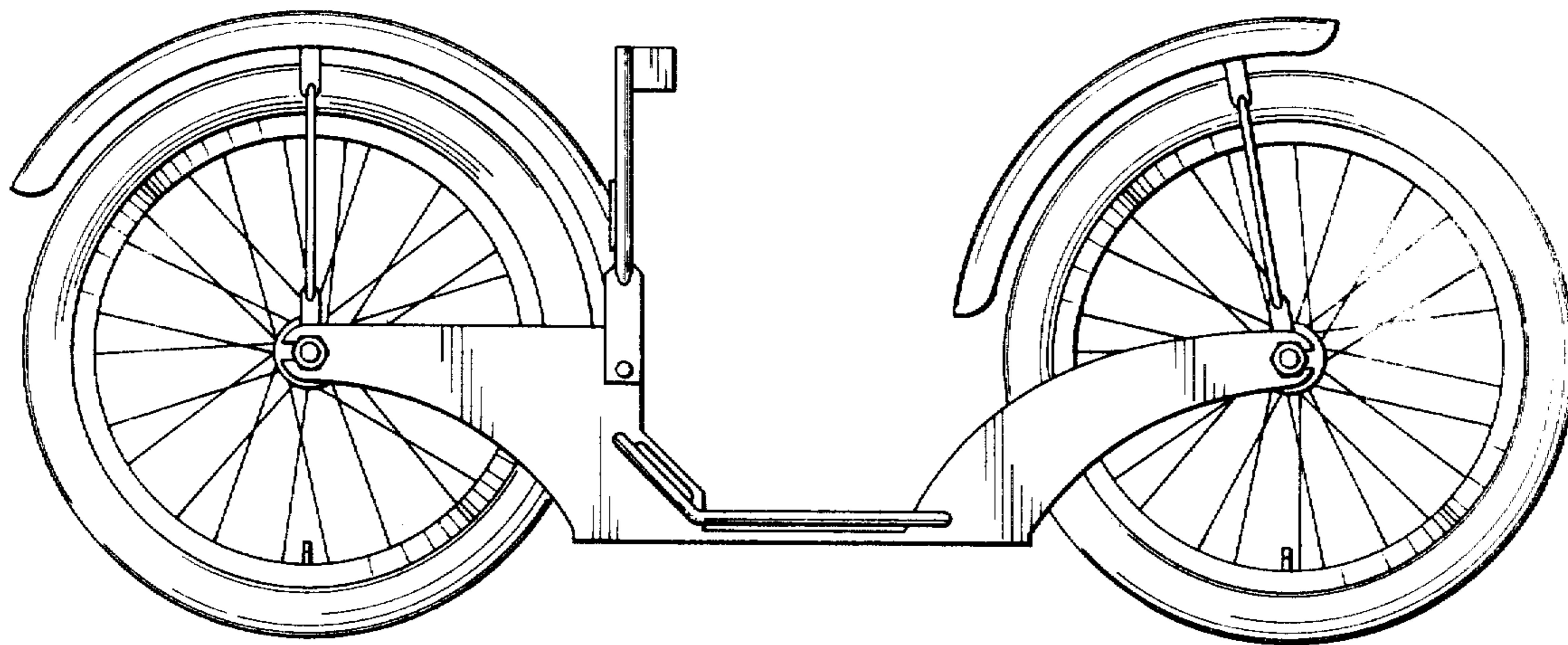


Fig. 2.

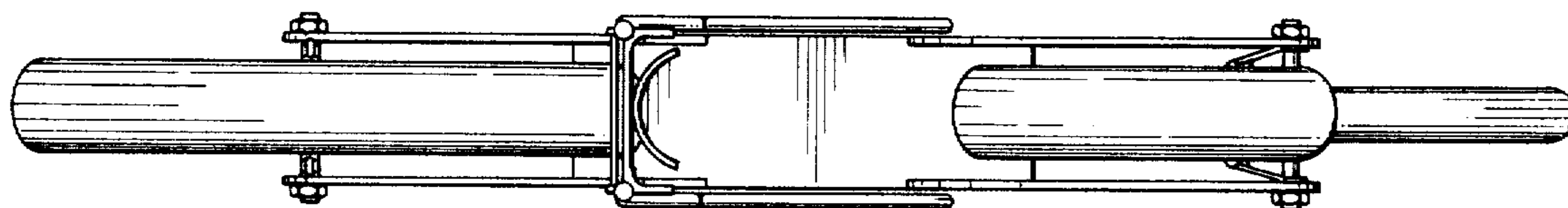


Fig. 3.

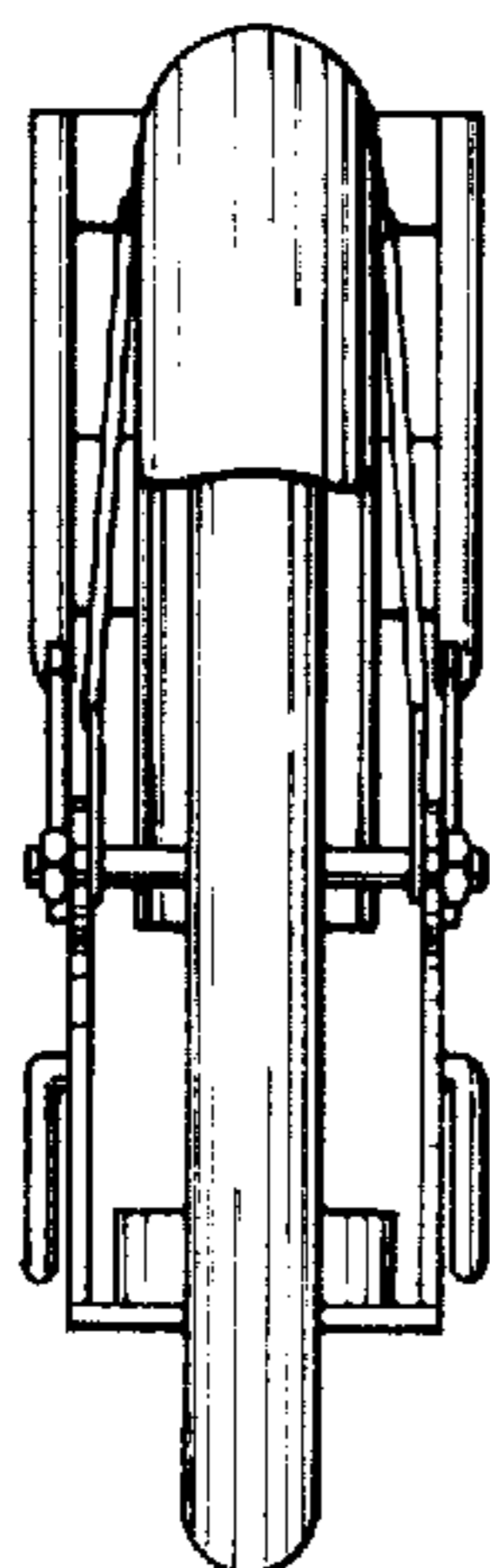


Fig. 4.

