

[54] WATER BASKETBALL GAME GOAL

2,818,254 12/1957 Dunn ..... D21/201

[76] Inventors: **Dennis H. Merino**, 2873 King Edward Dr., El Dorado Hills, Calif. 95630; **J. Clyde Ralph**, 2773 Curtis Way, Sacramento, Calif. 95818

OTHER PUBLICATIONS

The Sporting Goods Dealer, Jun. 1975, p. 61, Basketball Goal.

[\*\*] Term: **14 Years**

*Primary Examiner*—Melvin B. Feifer  
*Attorney, Agent, or Firm*—Gerald L. Price

[21] Appl. No.: **106,458**

[57] CLAIM

[22] Filed: **Dec. 26, 1979**

The ornamental design for a water basketball game goal, as shown.

[51] Int. Cl. .... **D21-02**

[52] U.S. Cl. .... **D21/201**

[58] Field of Search ..... **D21/201; 273/1.5**

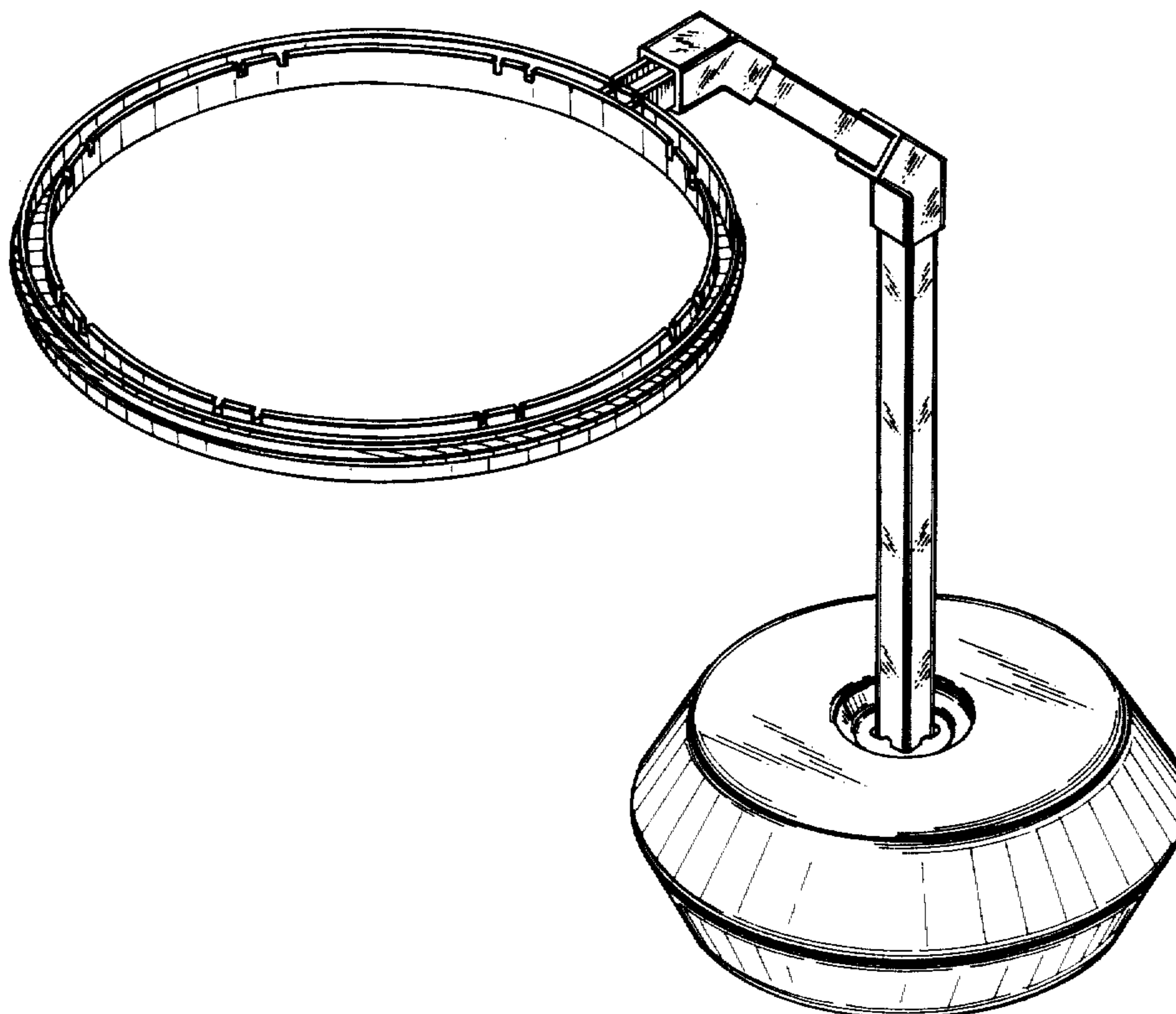
DESCRIPTION

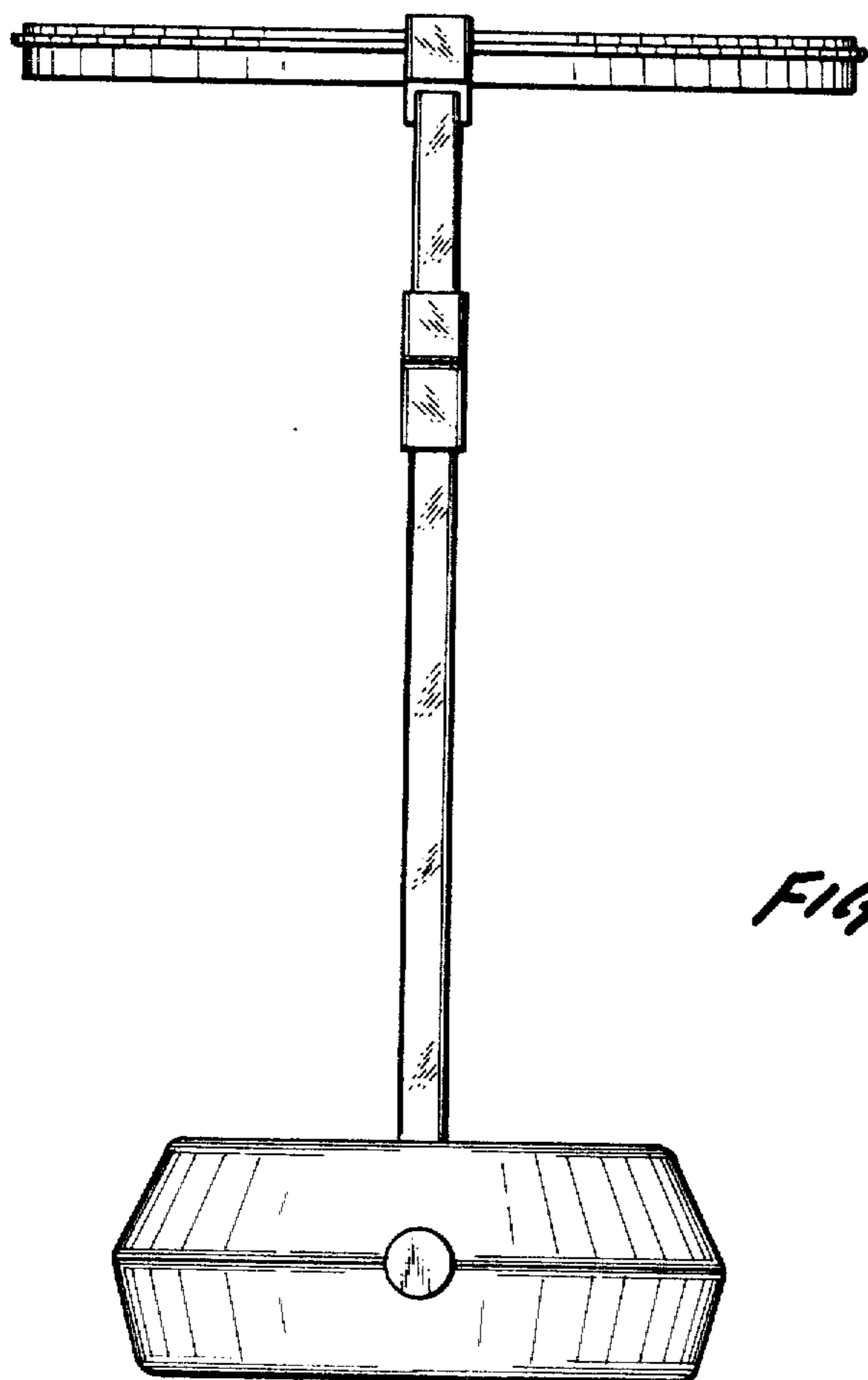
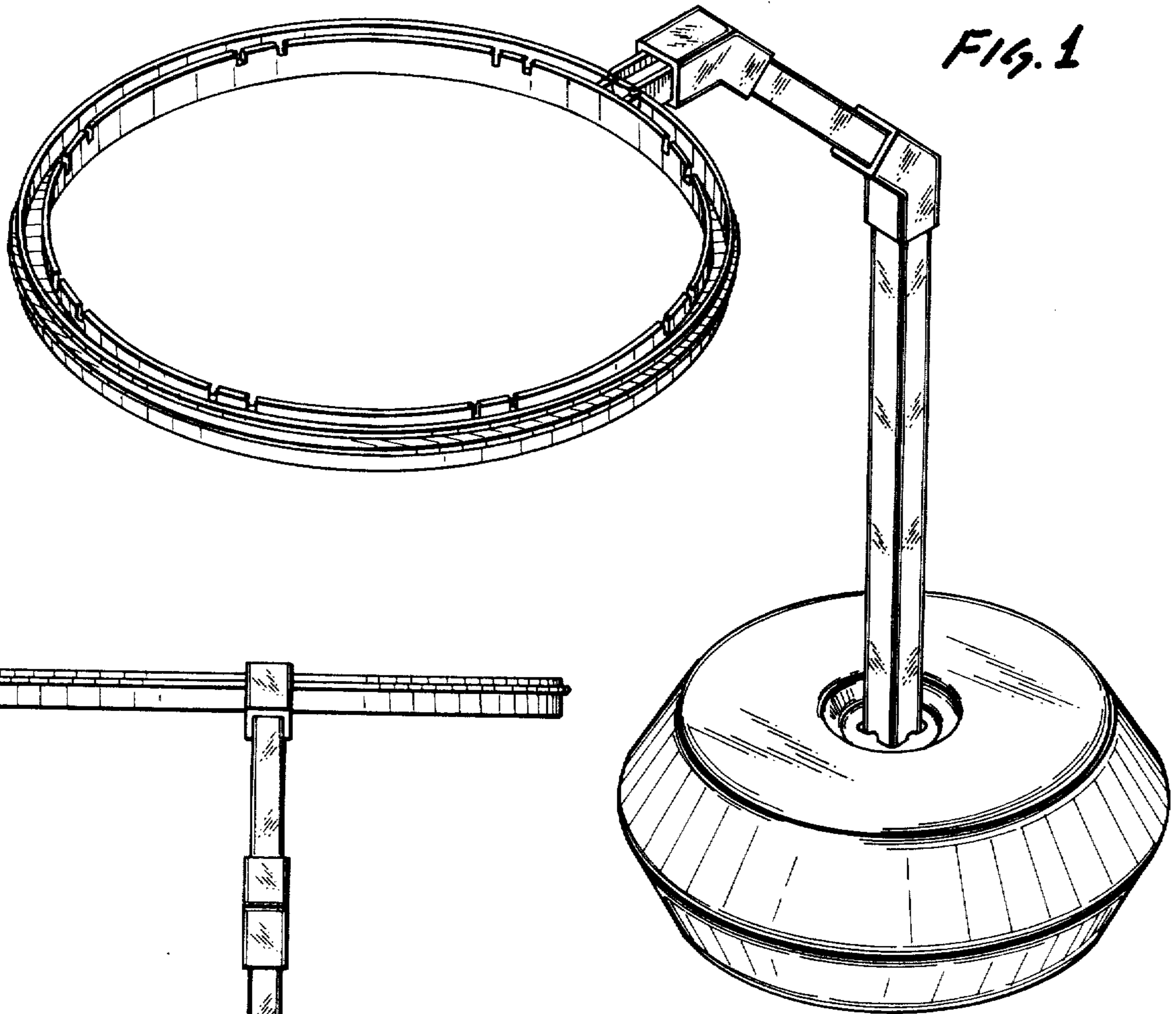
[56] References Cited

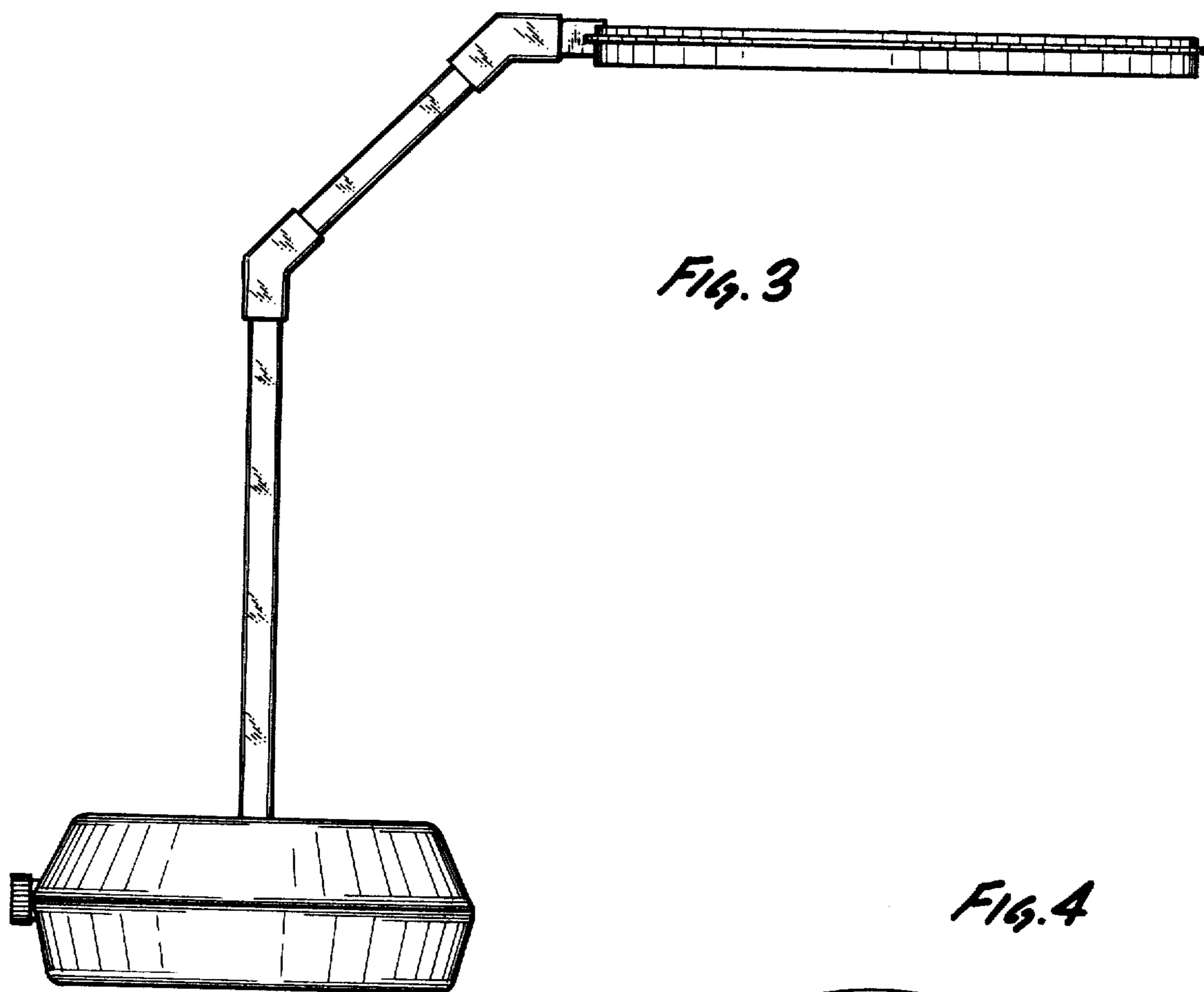
U.S. PATENT DOCUMENTS

- D. 229,430 11/1973 Fortin ..... D21/201
- D. 235,361 6/1975 Benton ..... D21/201

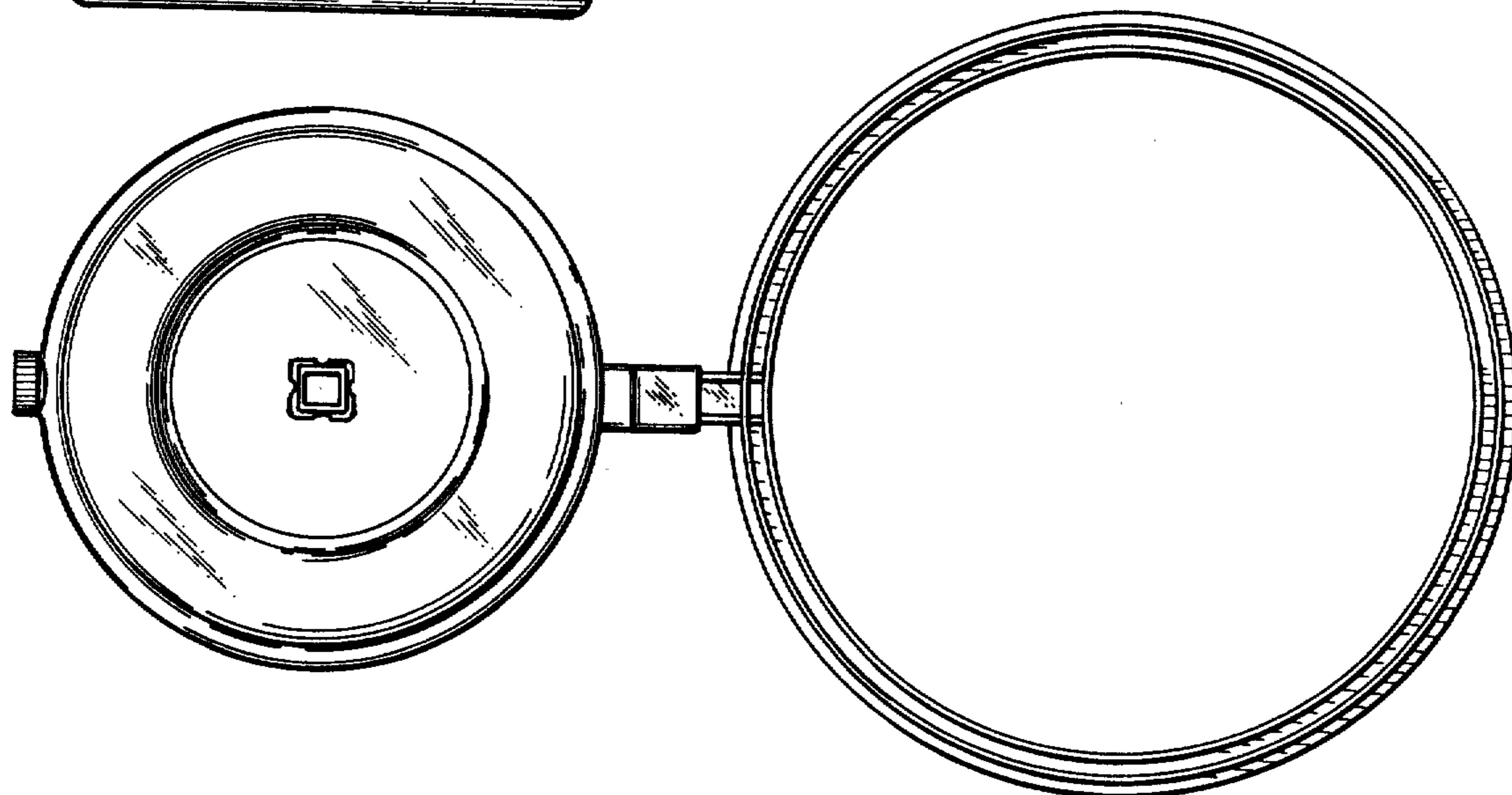
FIG. 1 is a perspective view of a water basketball game goal showing our new design;  
FIG. 2 is a rear elevational view thereof;  
FIG. 3 is a left side elevational view with the right side being a mirror image of same; and,  
FIG. 4 is a bottom plan view thereof.







*Fig. 3*



*Fig. 4*