

[54] **HAND GRIP EXERCISER**

[75] **Inventor:** Marvin Cooper, New Rochelle, N.Y.

[73] **Assignee:** Dynamic Classics, Ltd., New York, N.Y.

[**] **Term:** 14 Years

[21] **Appl. No.:** 147,512

[22] **Filed:** May 7, 1980

[51] **Int. Cl.** D21—02

[52] **U.S. Cl.** D21/198

[58] **Field of Search** D21/198, 199; 272/67, 272/68, 125; D8/303, 307, 308, 309

[56] **References Cited**

U.S. PATENT DOCUMENTS

D. 231,044 3/1974 Morris D8/303

OTHER PUBLICATIONS

Toys & Novelties, 3-1962, p. 111, Hand Grip Exerciser at top of page.

American Bicyclist & Motorcyclist, 10-1958, p. 18, Hand-Grip at #5.

Primary Examiner—Charles A. Rademaker
Attorney, Agent, or Firm—Amster, Rothstein & Engelberg

[57] **CLAIM**

The ornamental design for a hand grip exerciser, substantially as shown and described.

DESCRIPTION

FIG. 1 is a top plan view of my hand grip exerciser showing my new design;

FIG. 2 is a side elevational view thereof;

FIG. 3 is an end elevational view thereof; and,

FIG. 4 is a bottom plan view thereof.

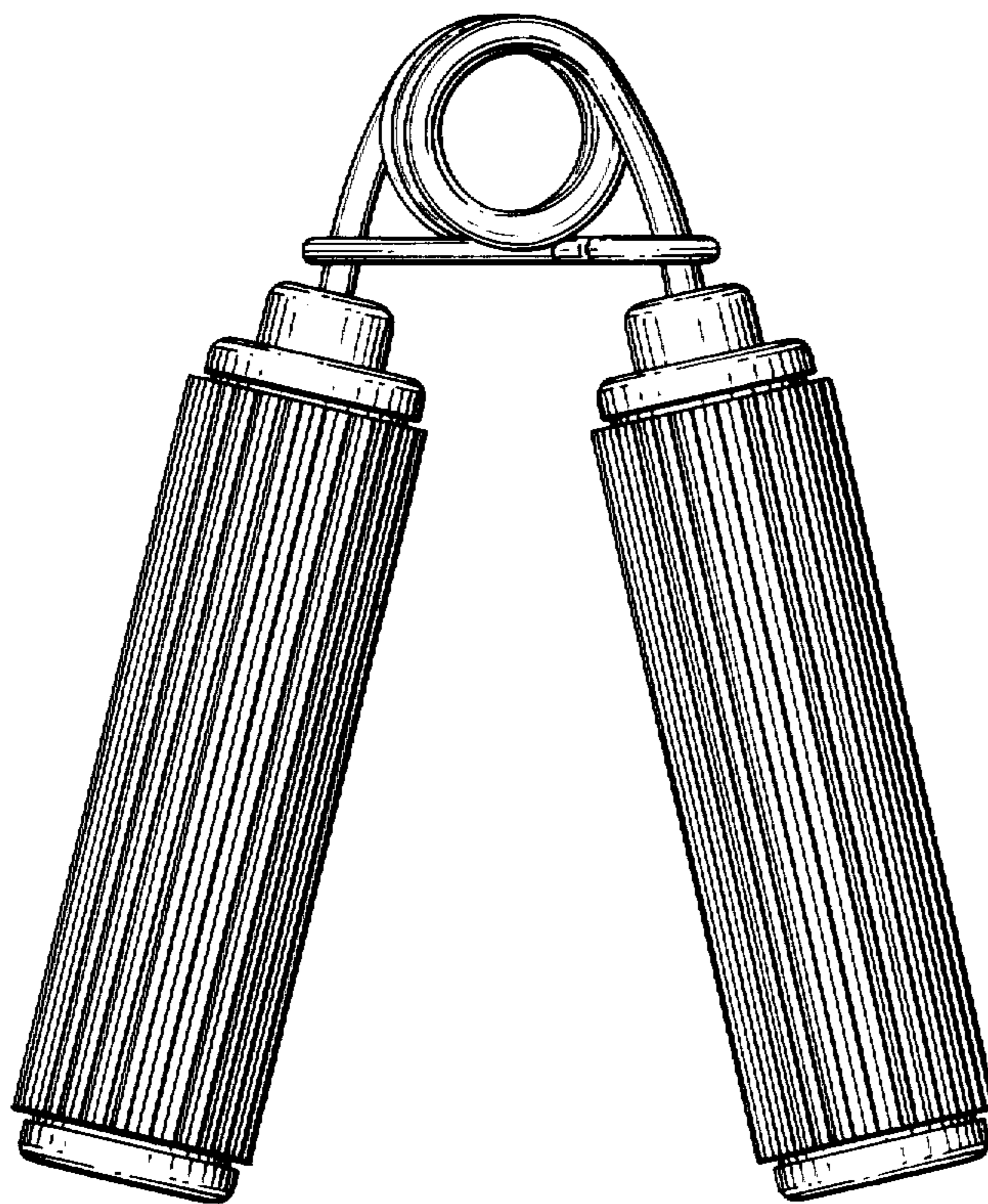


FIG. 1

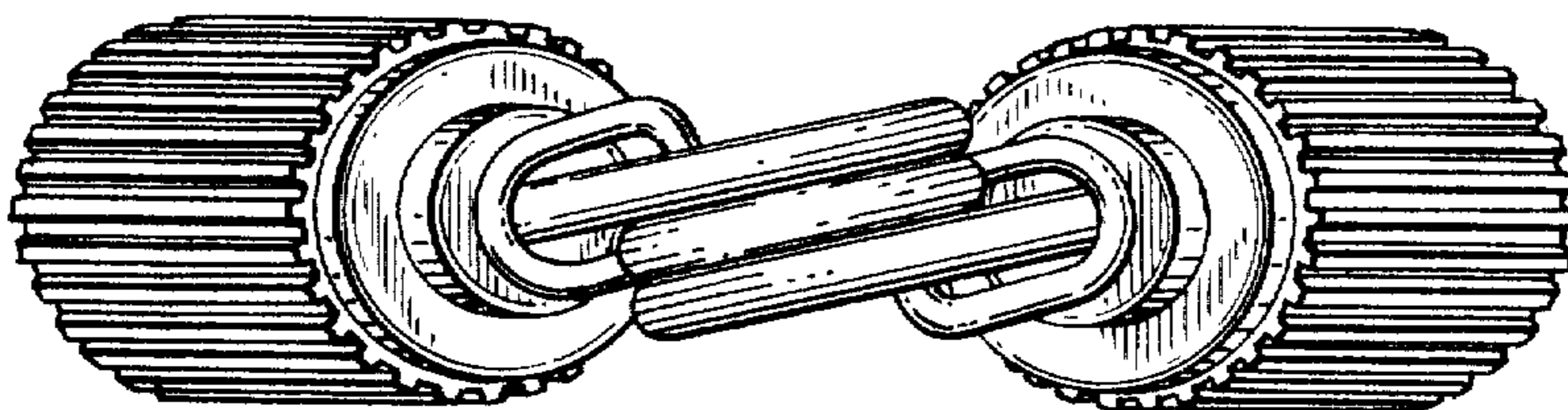


FIG. 2

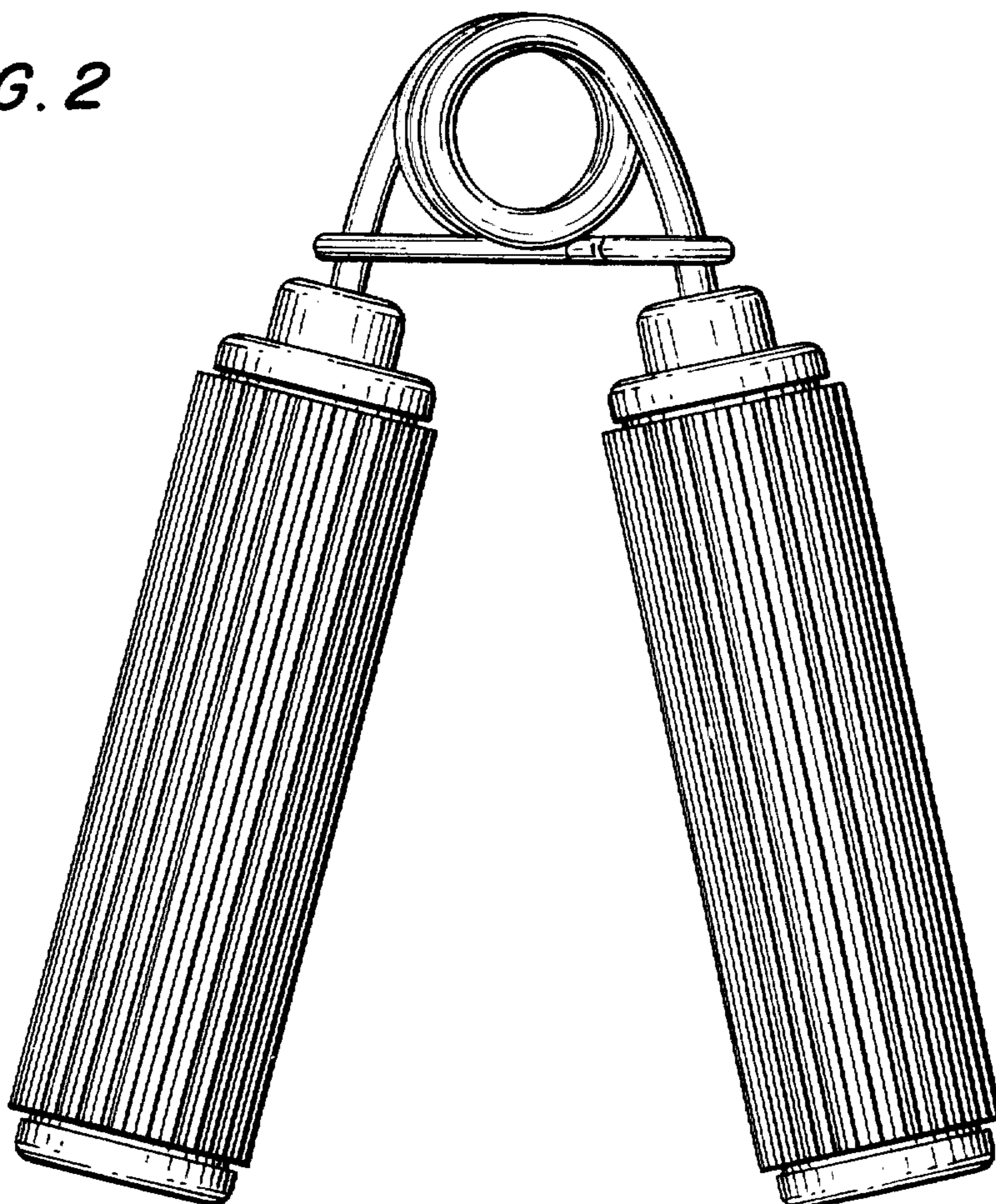


FIG. 3

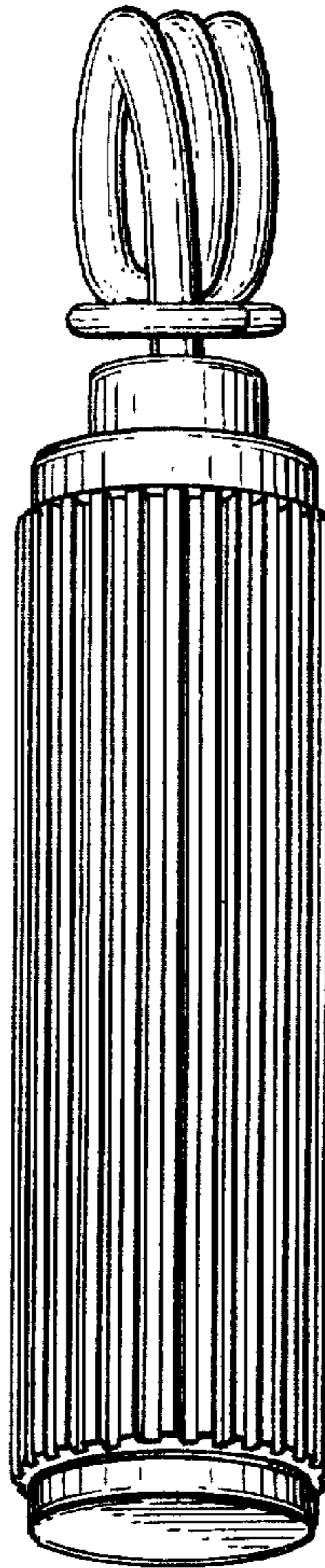


FIG. 4

