

[54] **EXERCISE BOOT**
[76] Inventor: **Robert C. Wolf**, 28 Muirfield Rd.,
Rockville Center, N.Y. 11570
[**] Term: **14 Years**
[21] Appl. No.: **152,418**
[22] Filed: **May 22, 1980**
[51] Int. Cl. **D21-02**
[52] U.S. Cl. **D21/196**
[58] Field of Search **D21/191-198;**
D2/176; 272/73, 79 R, 119, 125; 36/93

4,083,127 4/1978 Hanson 36/93

OTHER PUBLICATIONS

Ski Flash Magazine, 11-1978, p. 27, Ski Boot at left at bottom of page.
Washington Star, 12-10-1967, Magazine, Item #1, "Rosemount" Boot.

Primary Examiner—Charles A. Rademaker
Attorney, Agent, or Firm—Pennie & Edmonds

[57] **CLAIM**

The ornamental design for an exercise boot, substantially as shown and described.

DESCRIPTION

FIG. 1 is a left side elevational view of an exercise boot showing my new design;
FIG. 2 is a front elevational view thereof;
FIG. 3 is a right side elevational view thereof;
FIG. 4 is a rear elevational view thereof;
FIG. 5 is a top plan view thereof; and,
FIG. 6 is a bottom plan view thereof.

[56] **References Cited**

U.S. PATENT DOCUMENTS

D. 207,946	6/1967	Kotlarek	D2/276
771,938	10/1904	Ruhl	272/73
2,114,790	4/1938	Venables	272/119
2,214,052	9/1940	Good	272/73
3,343,836	9/1967	James	272/73
3,964,343	6/1976	Lauterbach	272/73

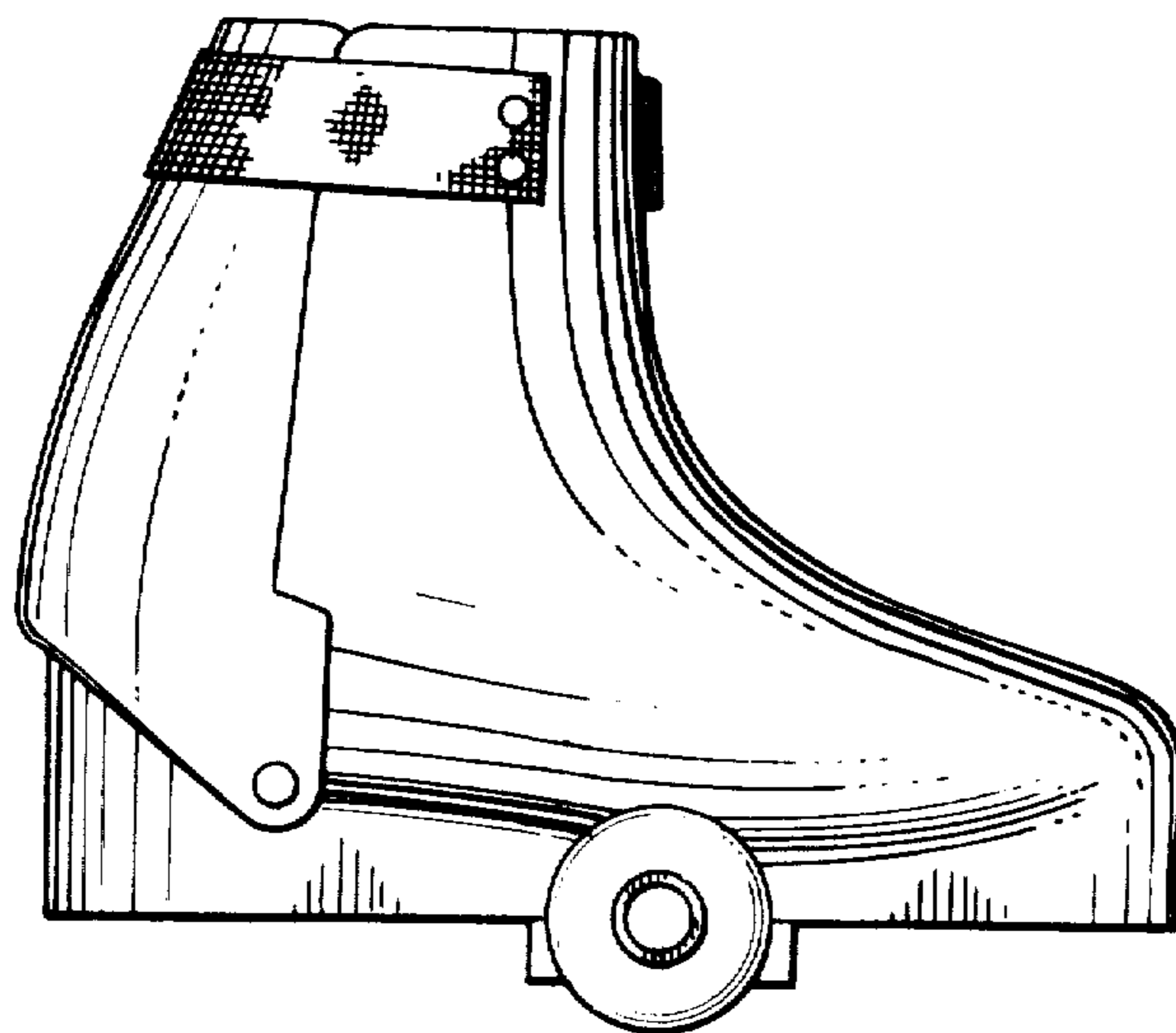


FIG. 1

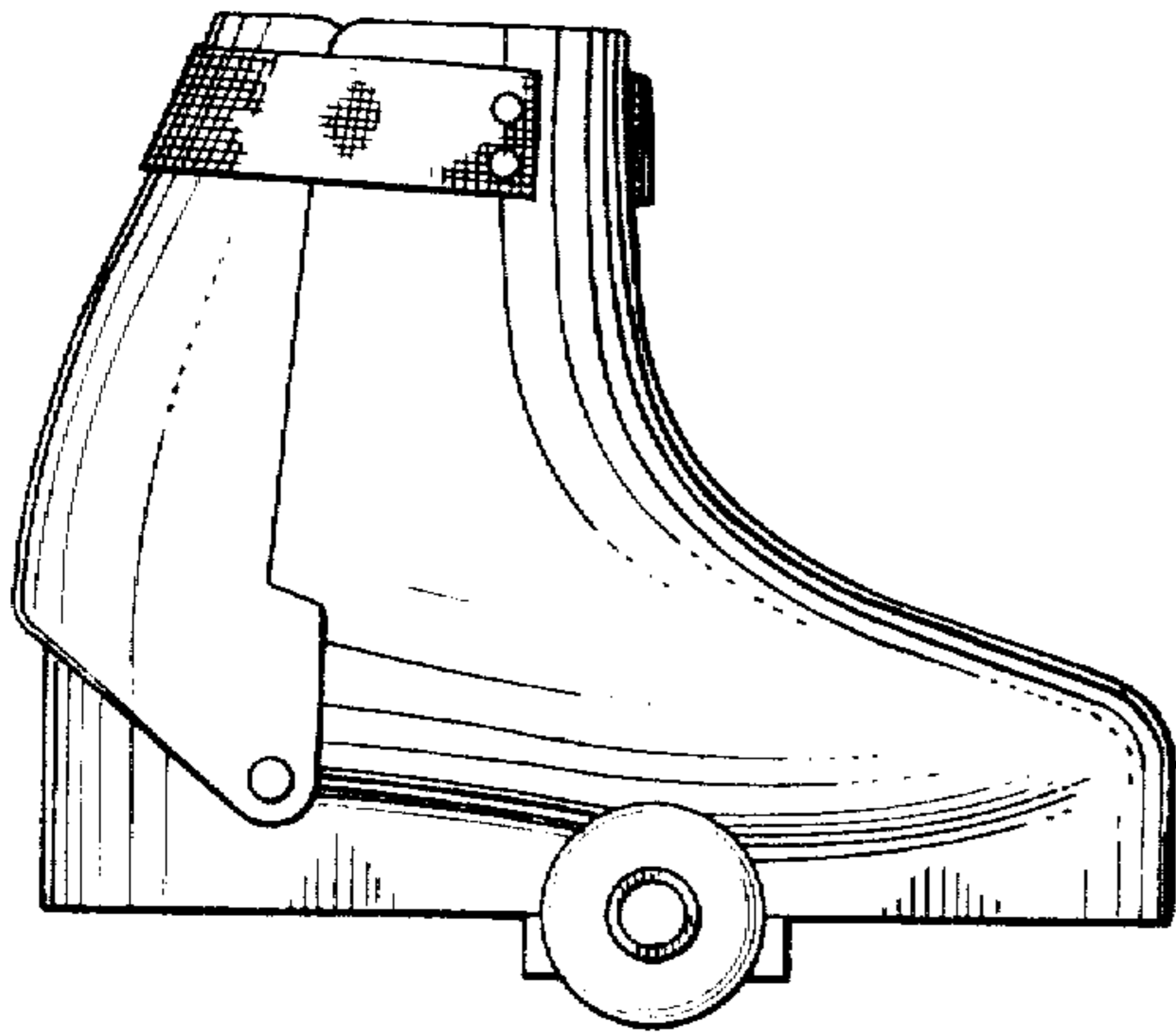


FIG. 2

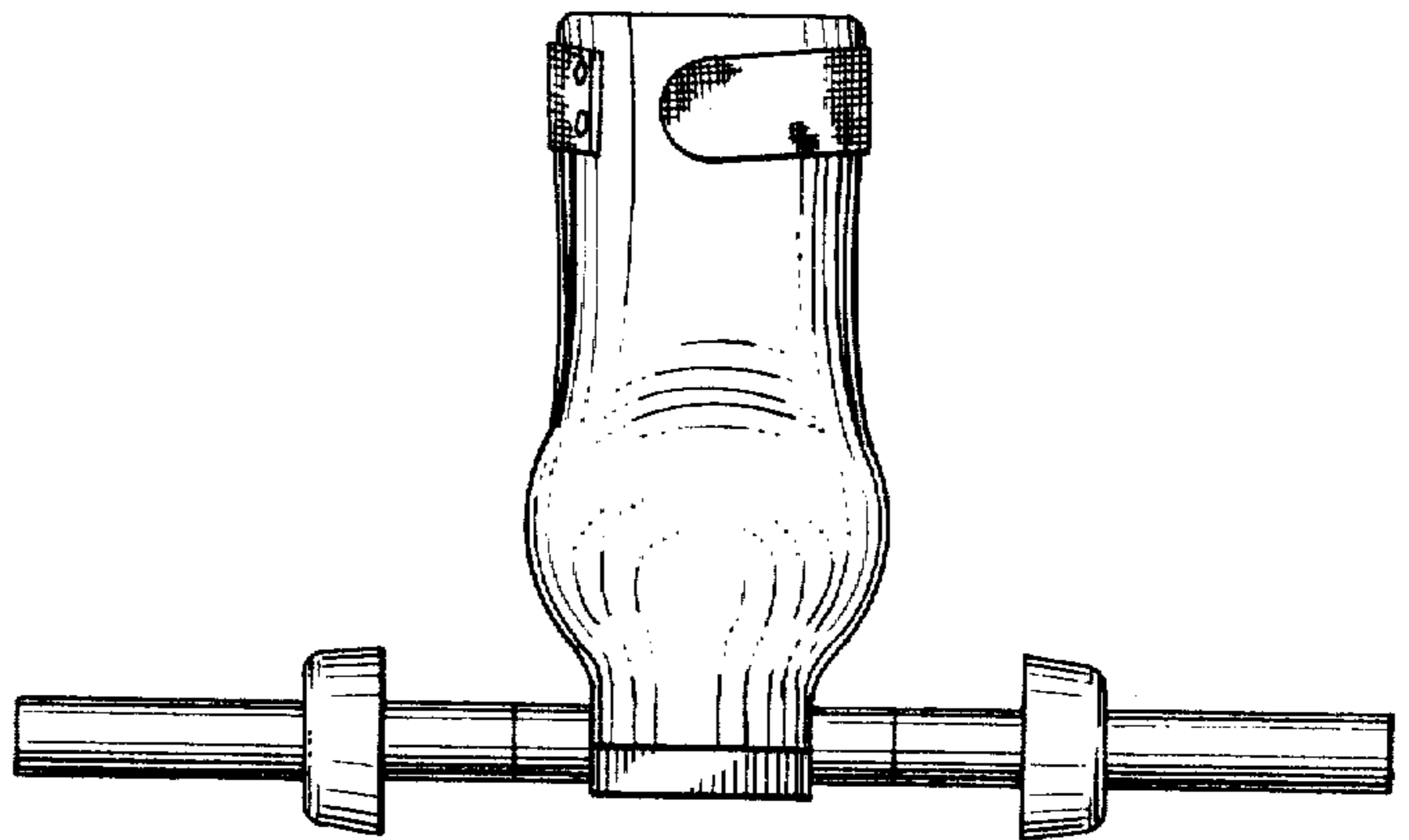


FIG. 3

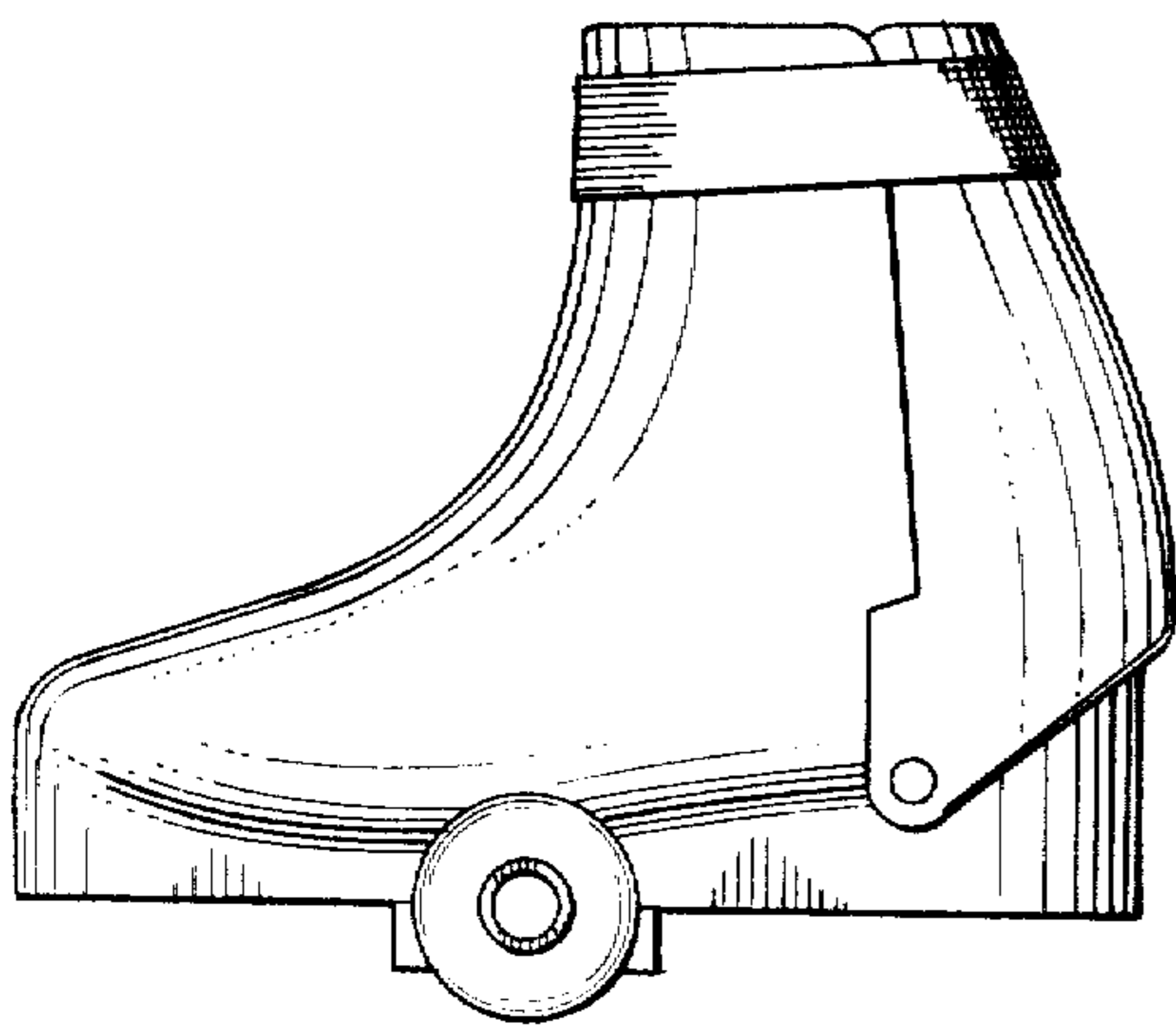


FIG. 4

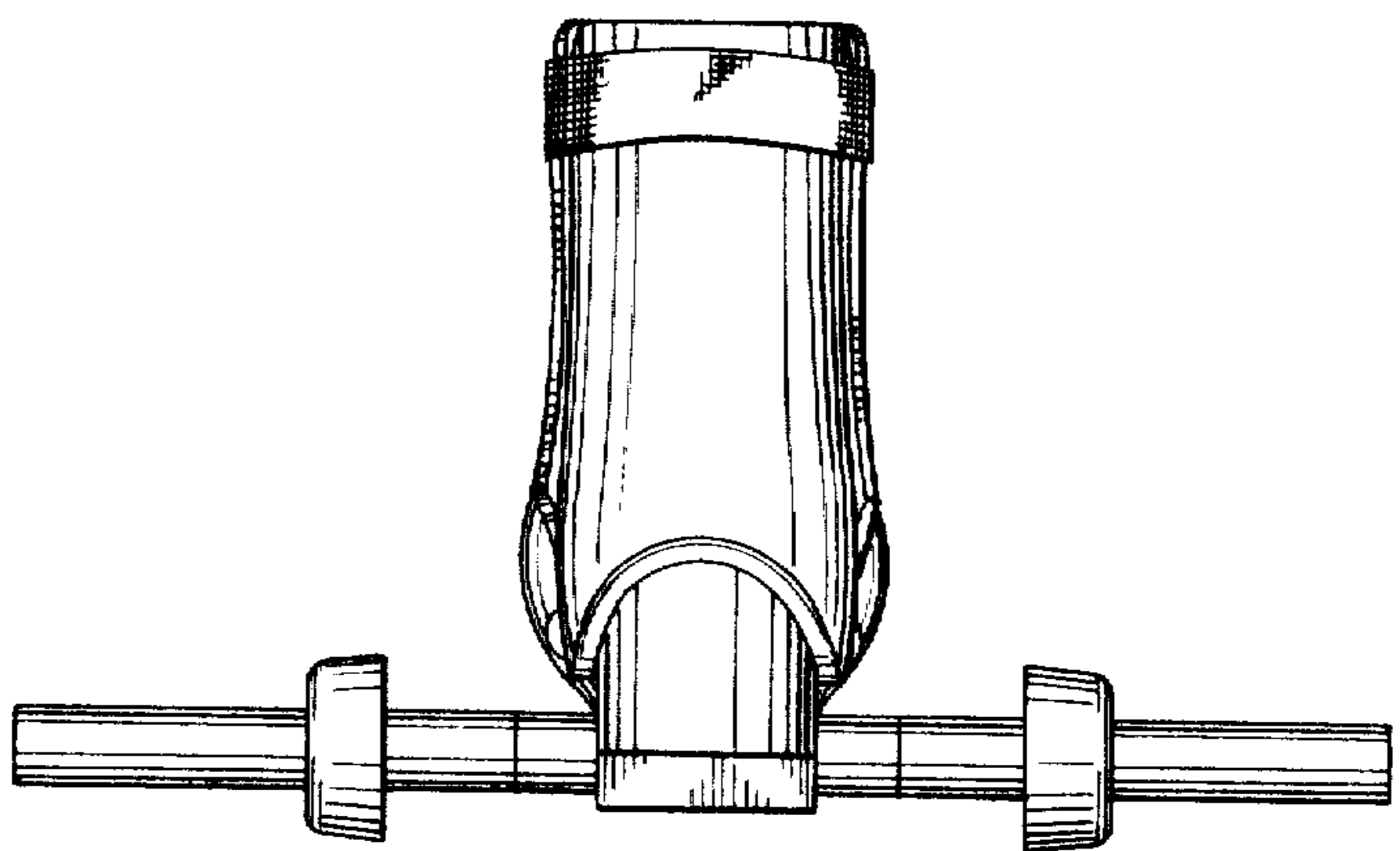


FIG. 5

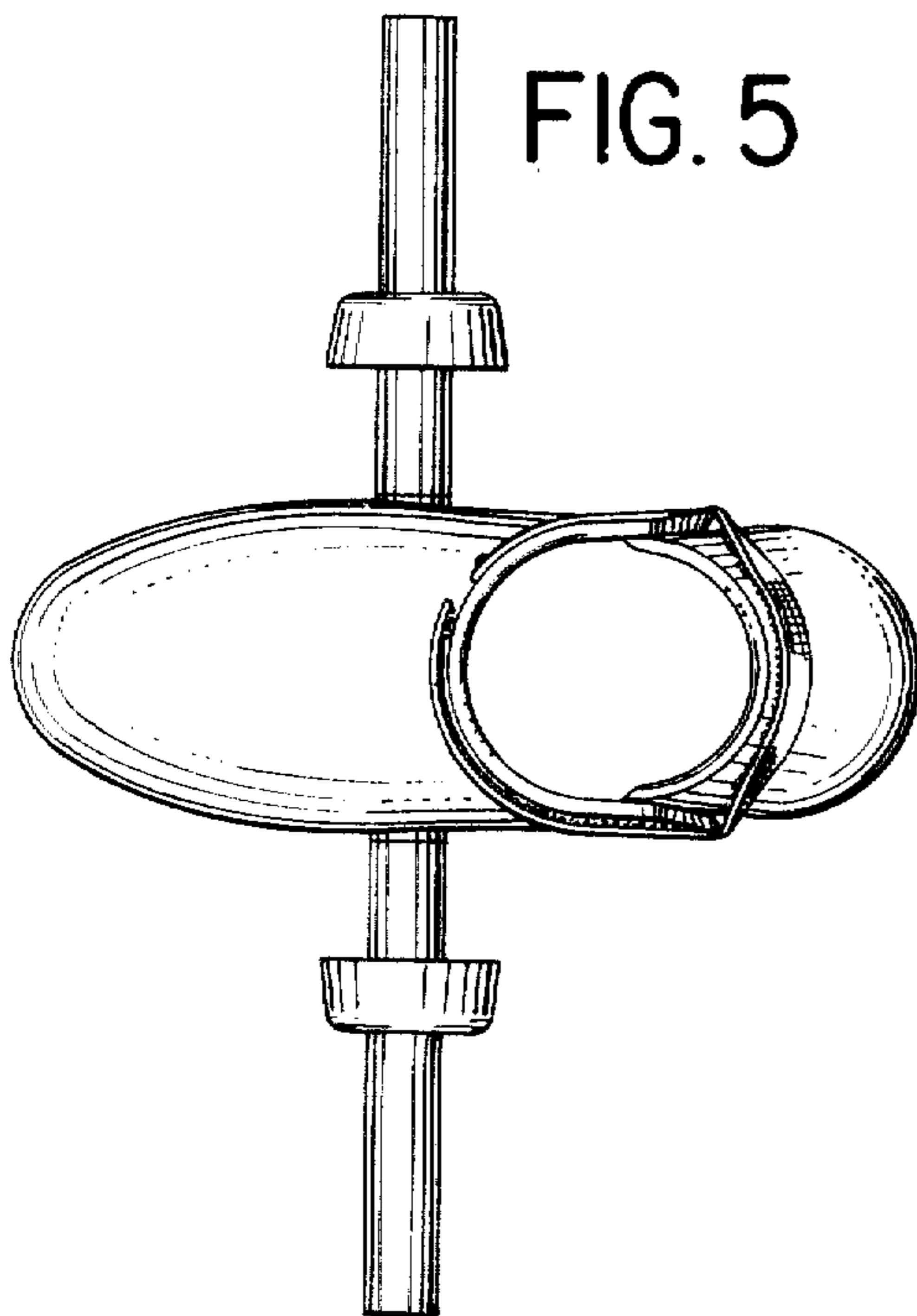


FIG. 6

