

[54] **DISPLAY CARD HOLDER**

[76] Inventor: **Bernard E. Shuman**, 3230 Clubhouse Rd., Merrick, N.Y. 11566

[\*\*] Term: **14 Years**

[21] Appl. No.: **118,628**

[22] Filed: **Feb. 4, 1980**

[51] Int. Cl. .... **D20—02**

[52] U.S. Cl. .... **D20/40**

[58] Field of Search ..... **D20/40; 40/10 B, 10 R, 40/10 D, 16, 16.4, 606, 611**

[56] **References Cited**

**U.S. PATENT DOCUMENTS**

1,376,716	5/1921	Marshel	40/16
3,015,899	1/1962	Ensign et al.	40/16
3,611,604	10/1971	Saltzman	40/10 R X
4,138,787	2/1979	Sarkisian	40/16

*Primary Examiner—Veronica O'Keefe*  
*Attorney, Agent, or Firm—Darby & Darby*

[57] **CLAIM**

The ornamental design for a display card holder, as shown and described.

**DESCRIPTION**

FIG. 1 is a perspective view of a display card holder showing my new design;

FIG. 2 is a front elevational view of a display card holder showing my new design;

FIG. 3 is a side elevational view of a display card holder showing my new design;

FIG. 4 is a top plan view of a display holder showing my new design;

FIG. 5 is a bottom plan view of a display holder showing my new design; and

FIGS. 6, 7, 8, 9 and 10 are respectively a perspective view, front elevational view, side elevational view, top plan view and bottom plan view of a second embodiment of a display card holder showing my new design.

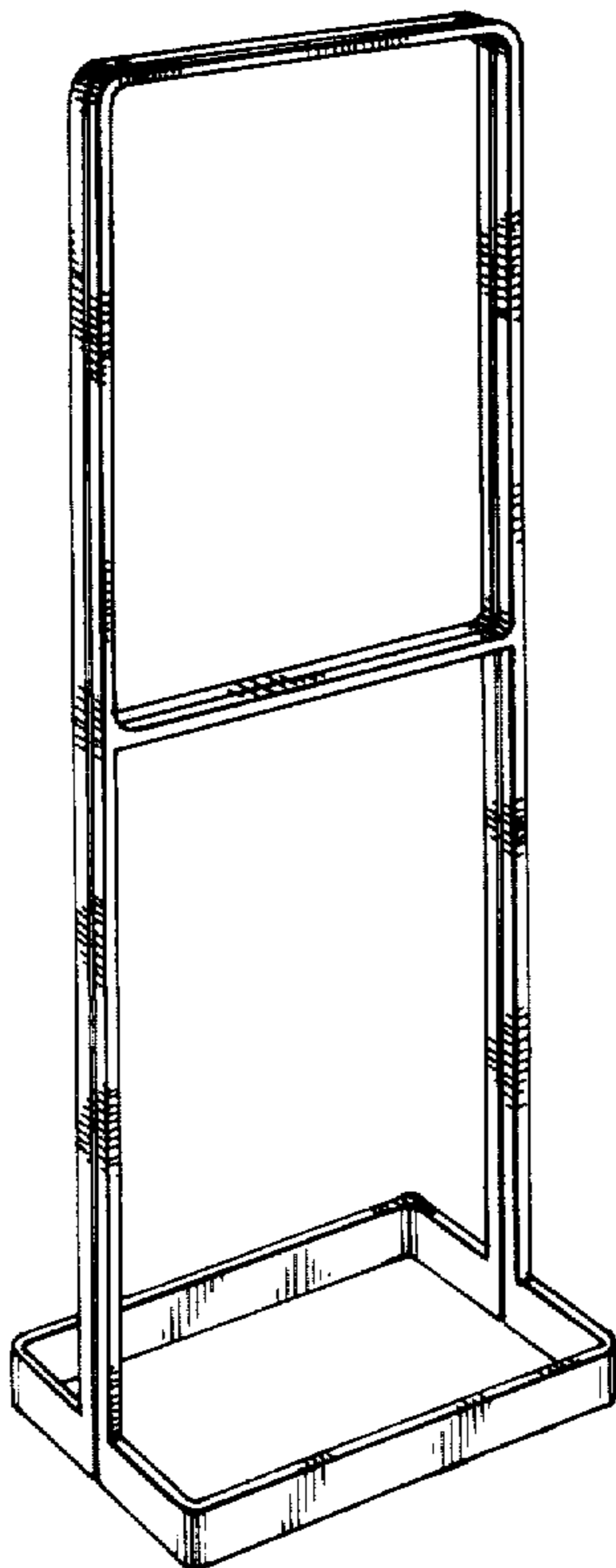


FIG. 1

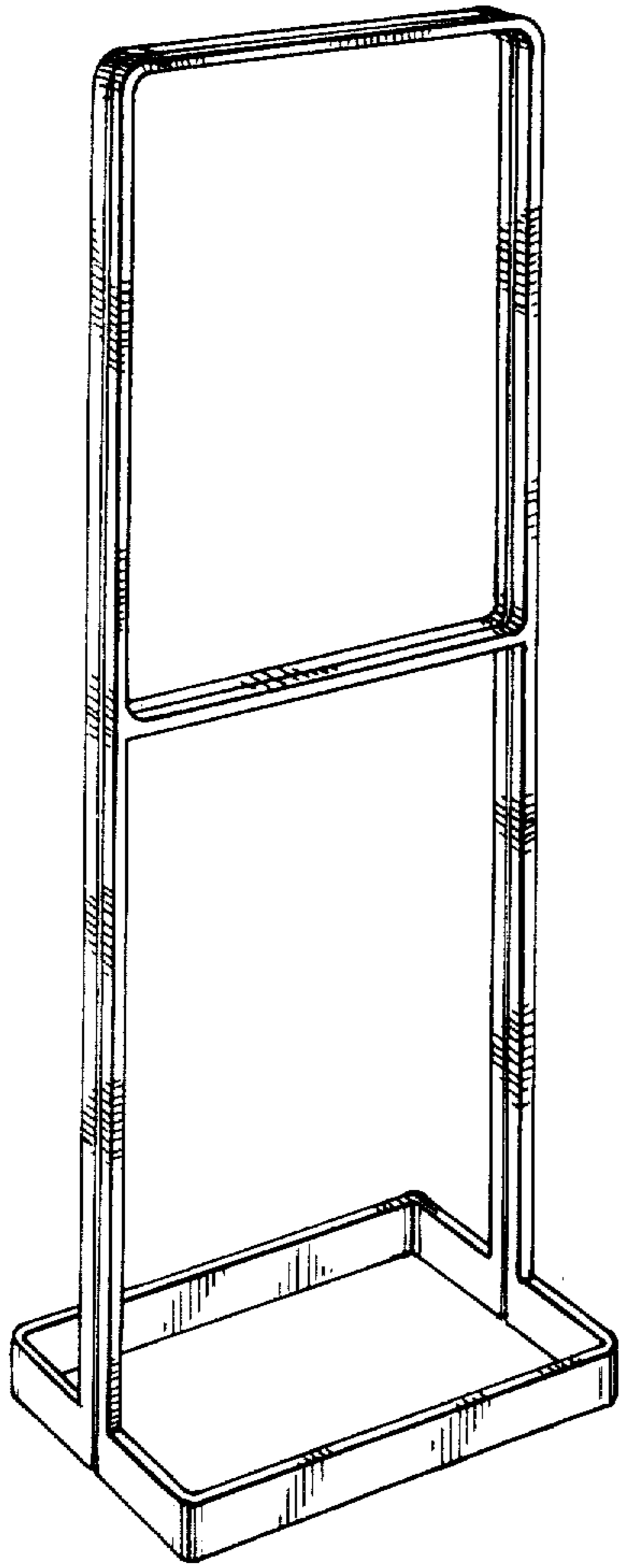


FIG. 2

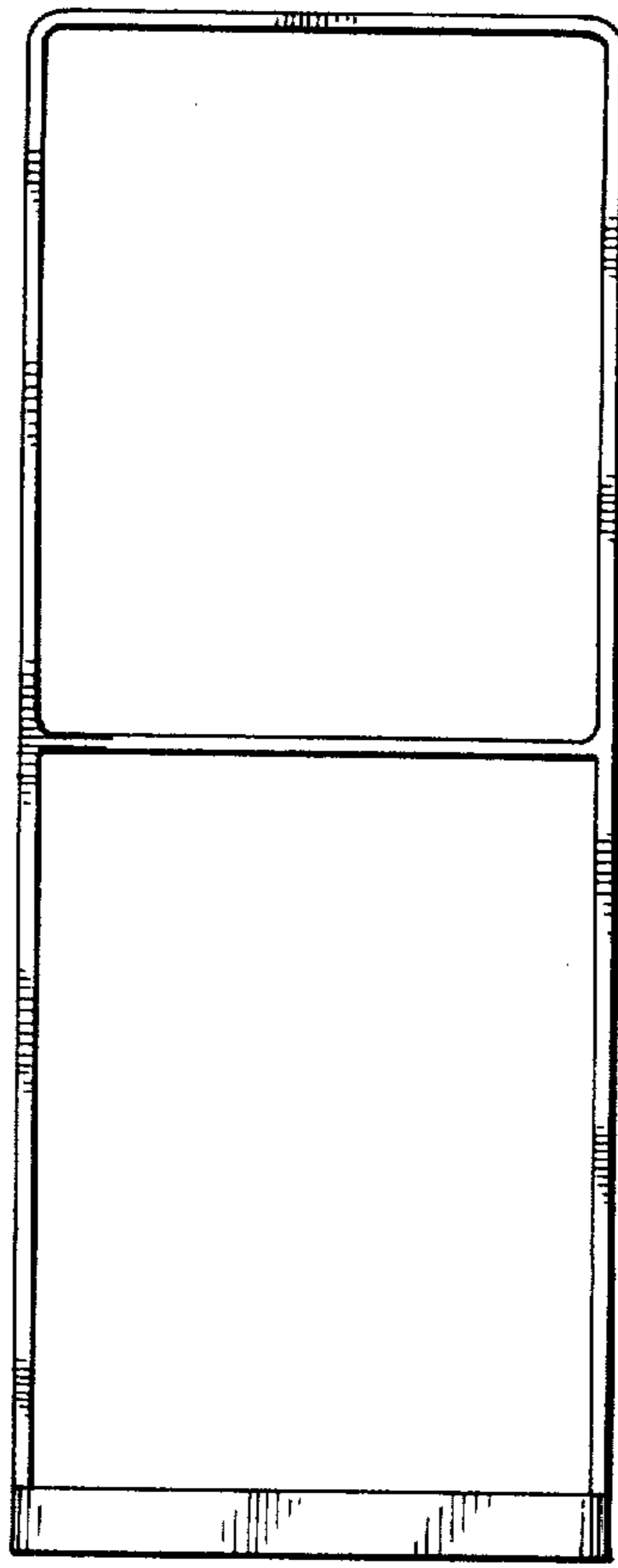


FIG. 3

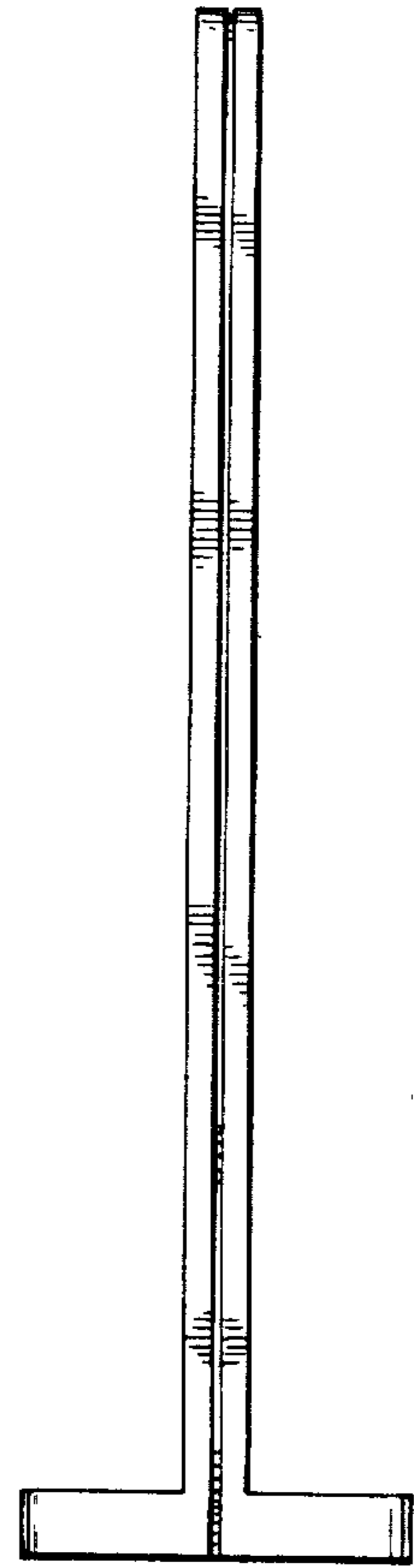


FIG. 4

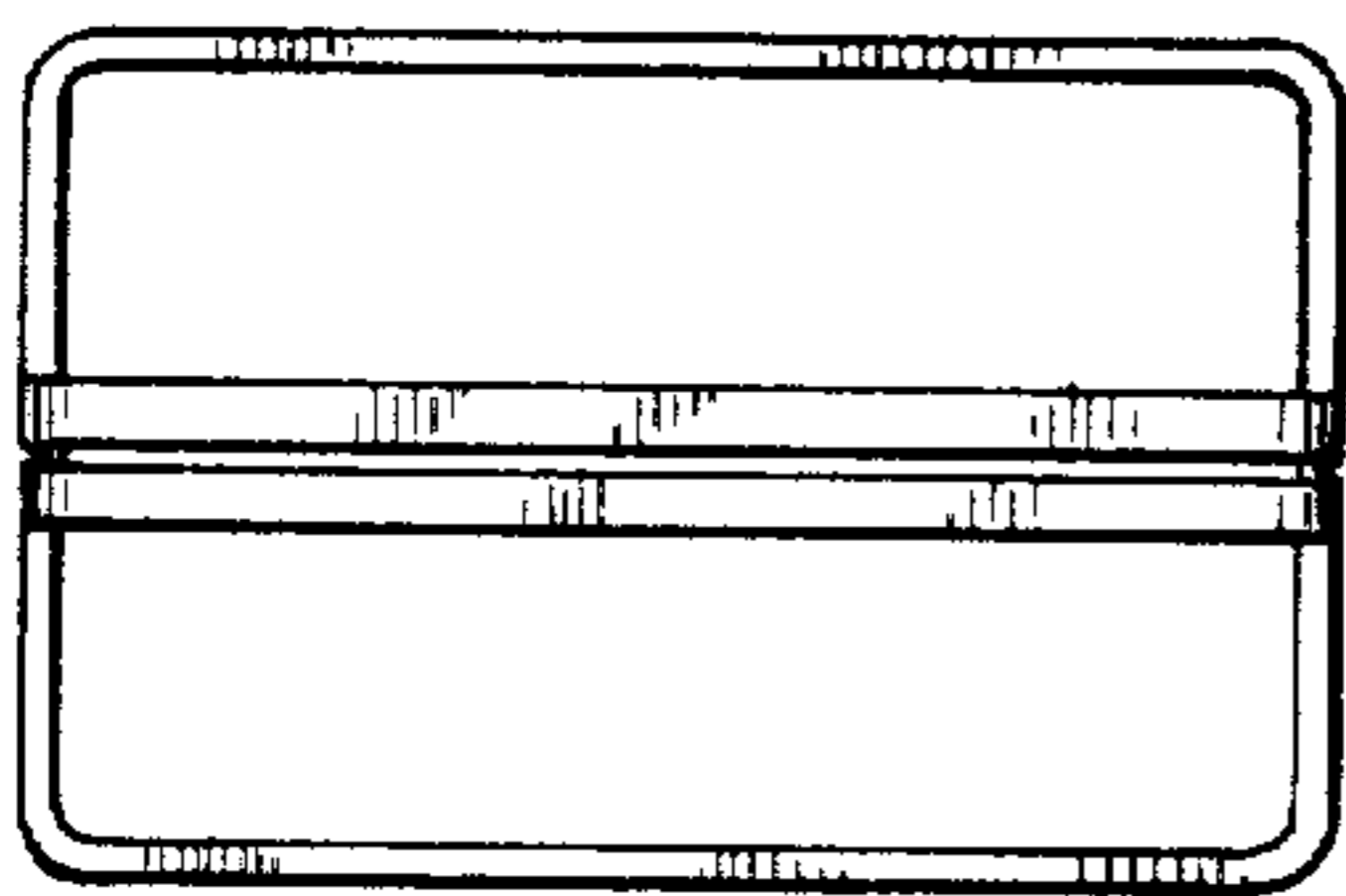


FIG. 5

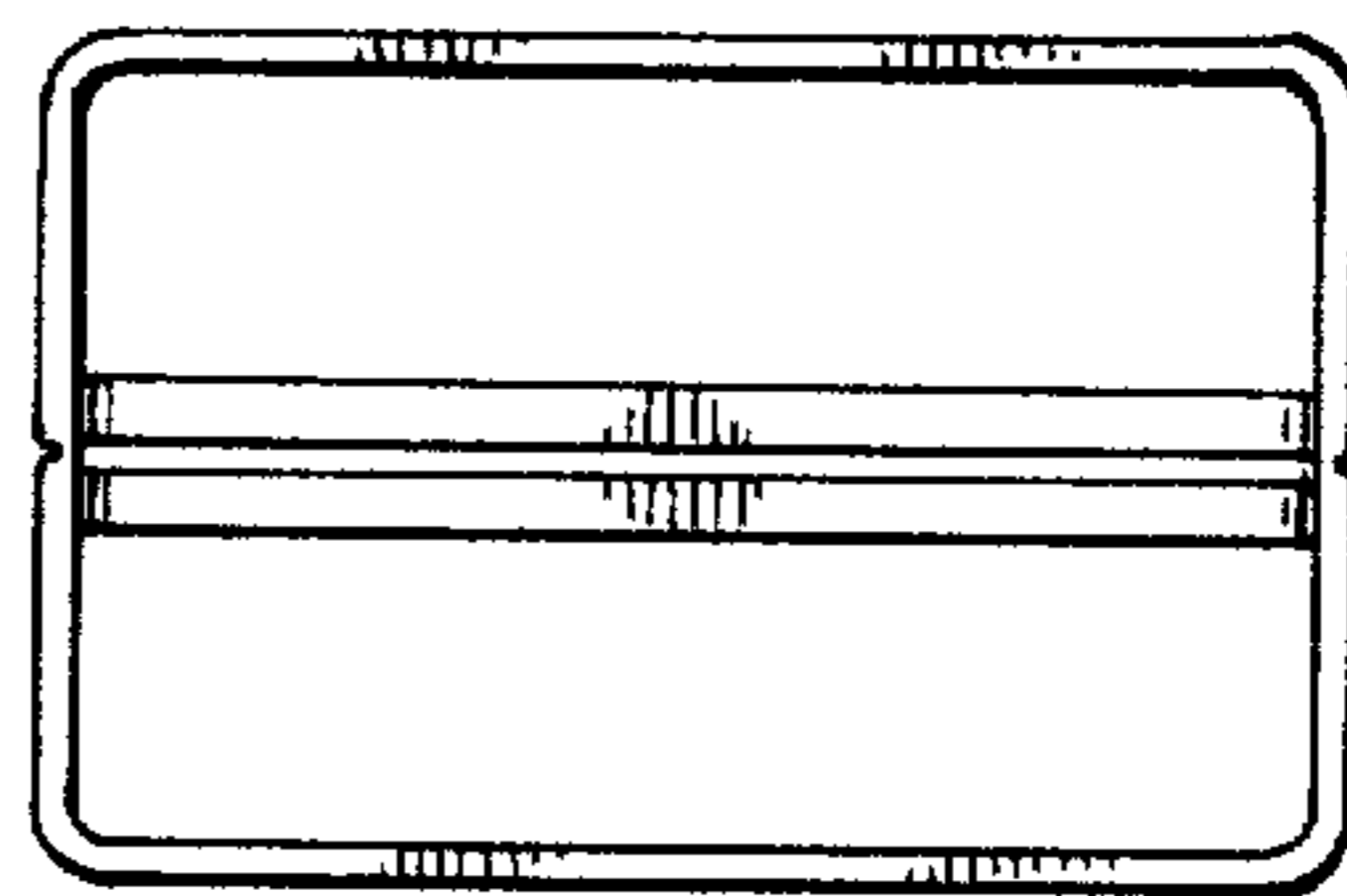


FIG. 6

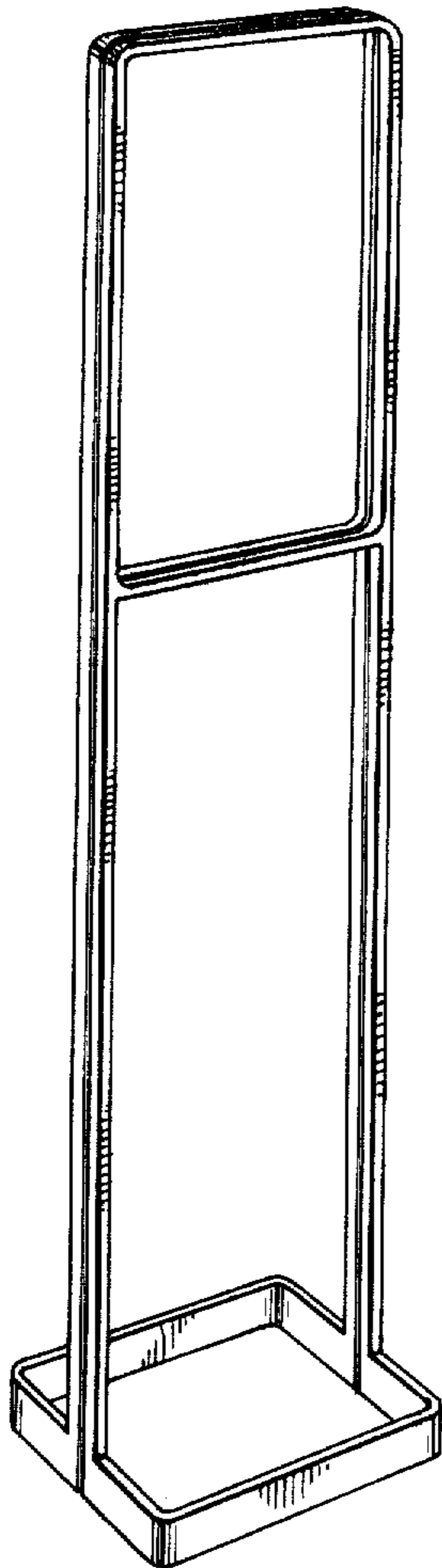


FIG. 7

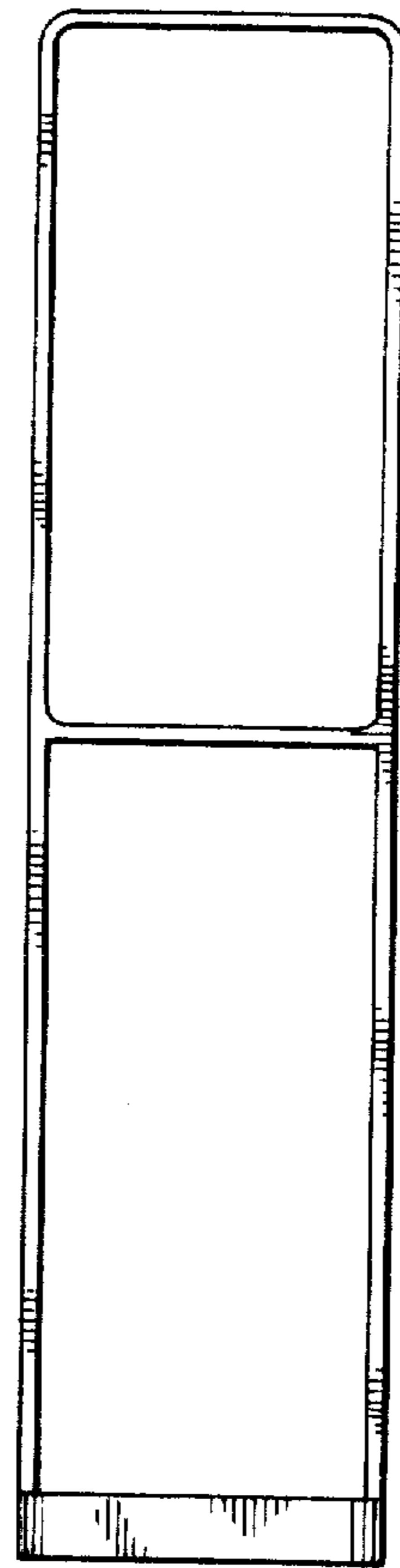


FIG. 8

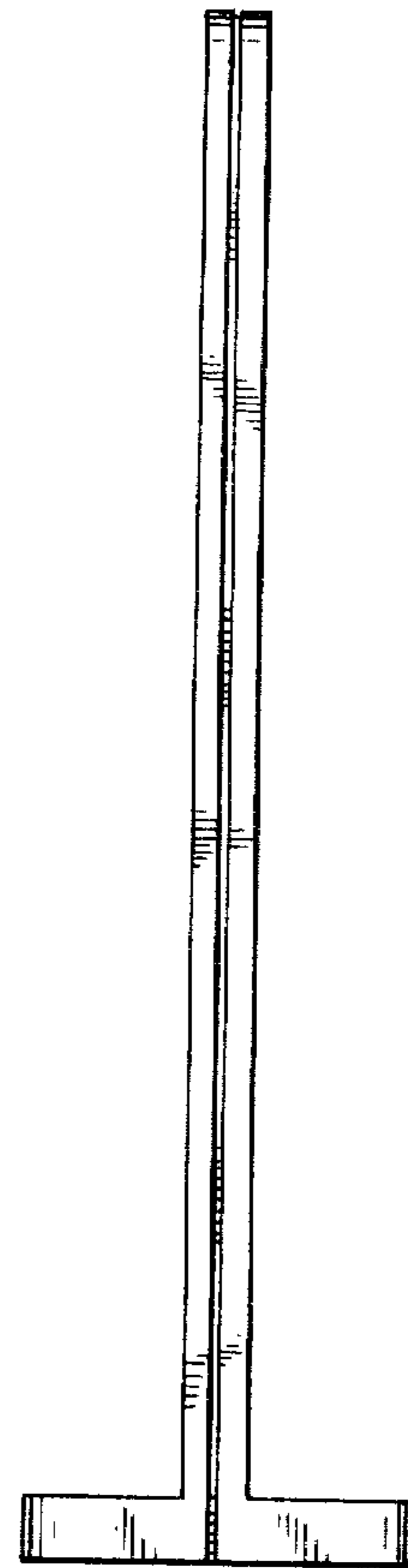


FIG. 9

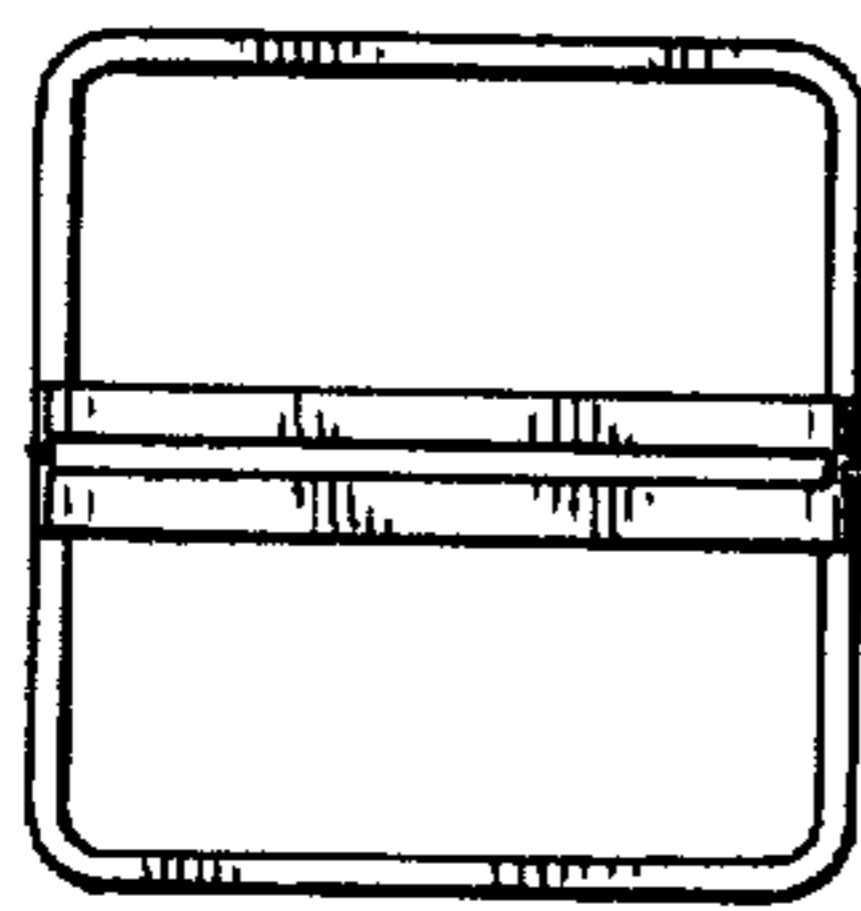


FIG. 10

