

[54] CAMERA TRIPOD OR THE LIKE

[75] Inventor: Osamu Iwasaki, Tokorozawa, Japan

[73] Assignee: Slik Tripod Co., Ltd., Saitama, Japan

[**] Term: 14 Years

[21] Appl. No.: 876

[22] Filed: Jan. 4, 1979

[30] Foreign Application Priority Data

Sep. 12, 1978 [JP] Japan 53-38566

[51] Int. Cl. D16-05

[52] U.S. Cl. D16/45

[58] Field of Search D16/44, 45, 46, 47; 248/163, 164, 431, 432, 166, 168, 169, 176, 188.1, 188.6, 188.7; 354/80, 81, 82, 293

[56] References Cited

U.S. PATENT DOCUMENTS

- D. 179,828 3/1957 Welt D16/45
- D. 222,596 11/1971 Leubner D16/45
- D. 257,261 10/1980 Shinohara D16/45
- D. 258,661 3/1981 Shiraishi D16/45

OTHER PUBLICATIONS

Velbon AEF-3 Catalog-Mar. 1978-Tripod Models AEF-3 and VEF-3.

W. Bell & Co. 1978 Catalog- ©1977-p. 251-Professional Tripod K #81401C.

Primary Examiner—Catherine E. Kemper
Attorney, Agent, or Firm—Frishauf, Holtz, Goodman & Woodward

[57] CLAIM

The ornamental design for camera tripod or the like, substantially as shown and described.

DESCRIPTION

FIG. 1 is a perspective view of a camera tripod or the like showing my new design, in which each leg is in retracted position;

FIG. 2 is a perspective view thereof, in which each leg is partially extended position;

FIG. 3 is a front view thereof;

FIG. 4 is a right side view thereof;

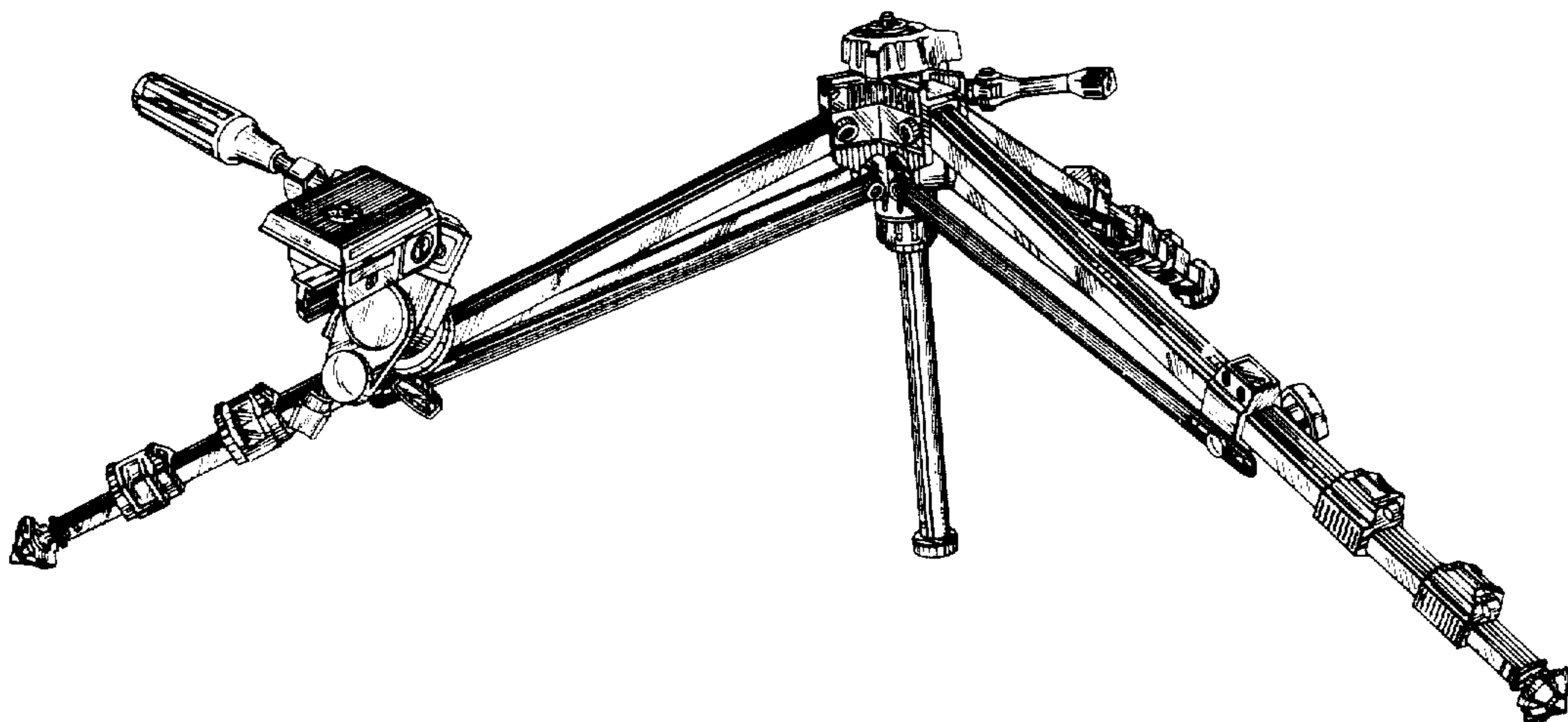
FIG. 5 is a top plan view thereof;

FIG. 6 is a bottom plan view thereof;

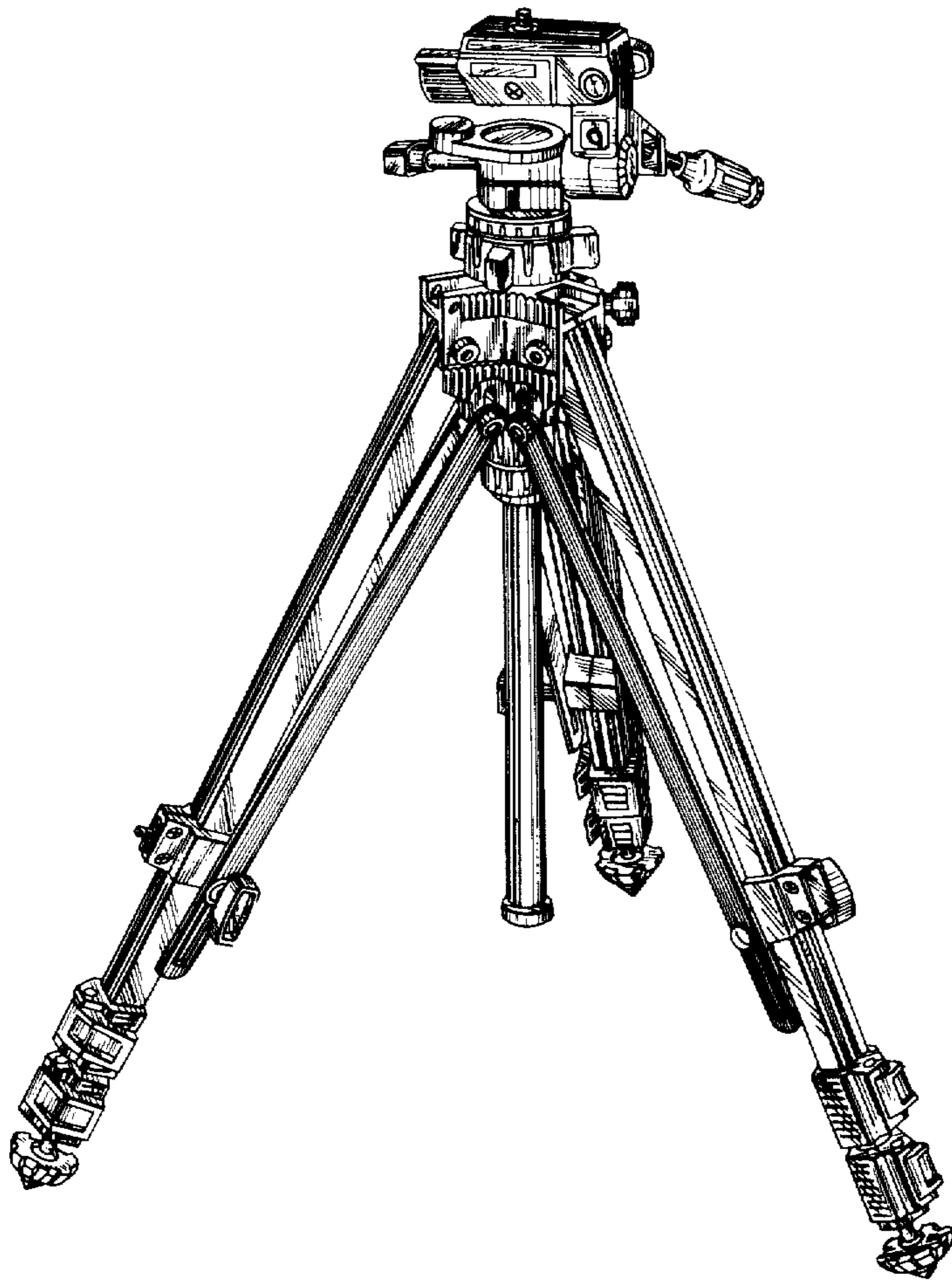
FIG. 7 is a perspective view thereof, in which a universal head is removed from the top of a center column to the intermediate portion of one leg and a platform of the universal head is in horizontal position;

FIG. 8 is a front view of a modified embodiment of the camera tripod shown in FIG. 1, in which three stays connecting the center column and each leg are removed; and

FIG. 9 is a right side view thereof.



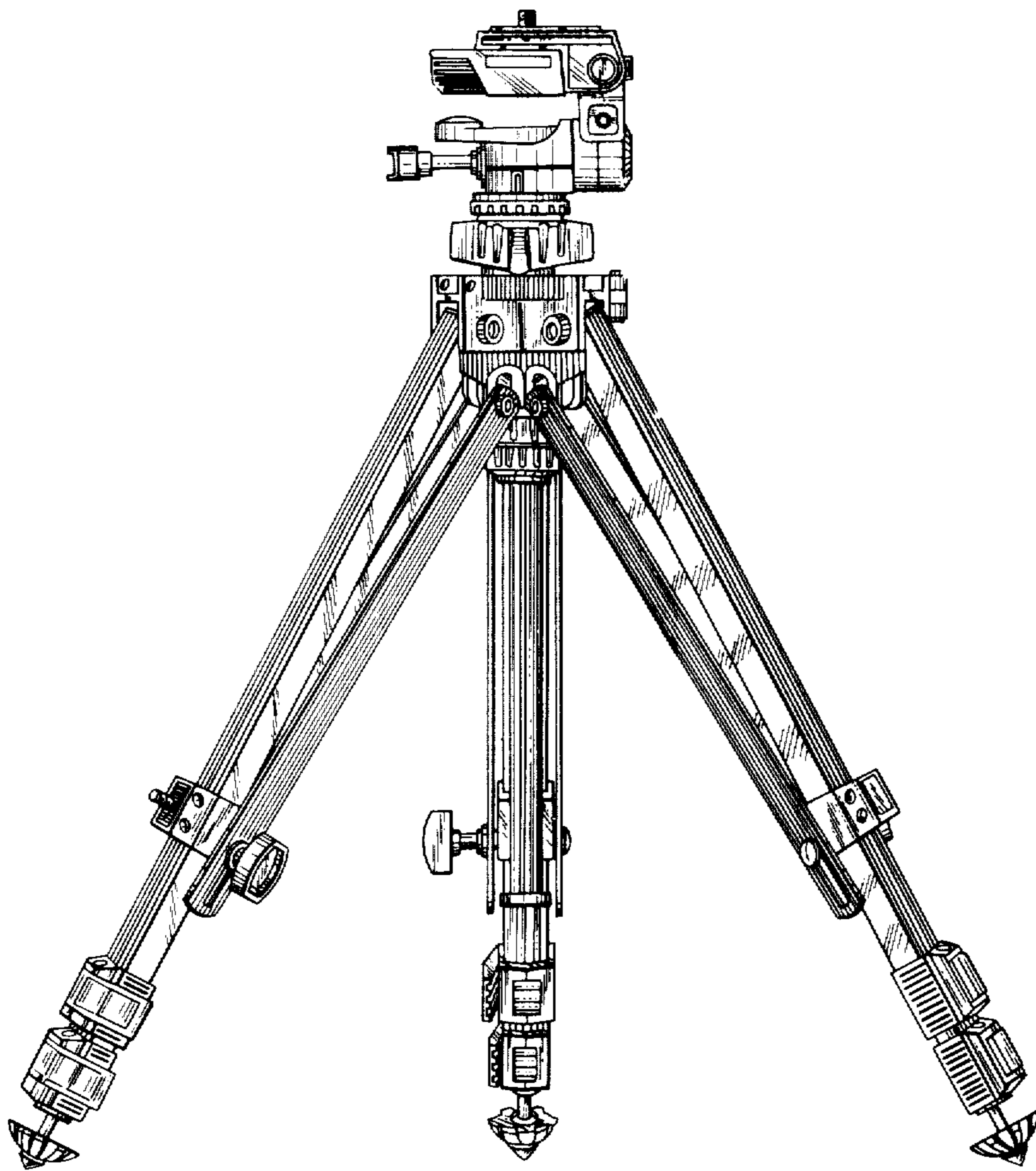
F I G. 1



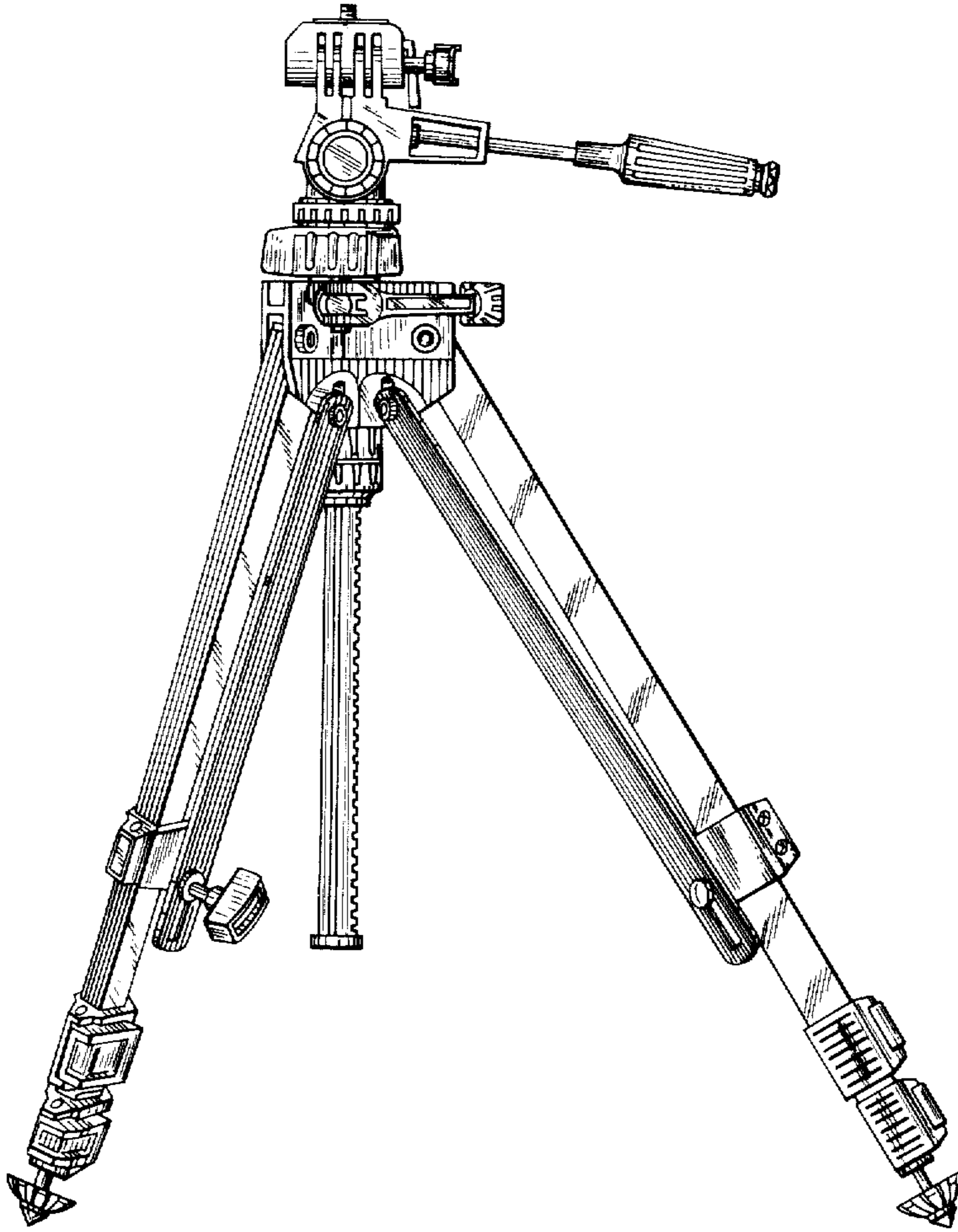
F I G. 2



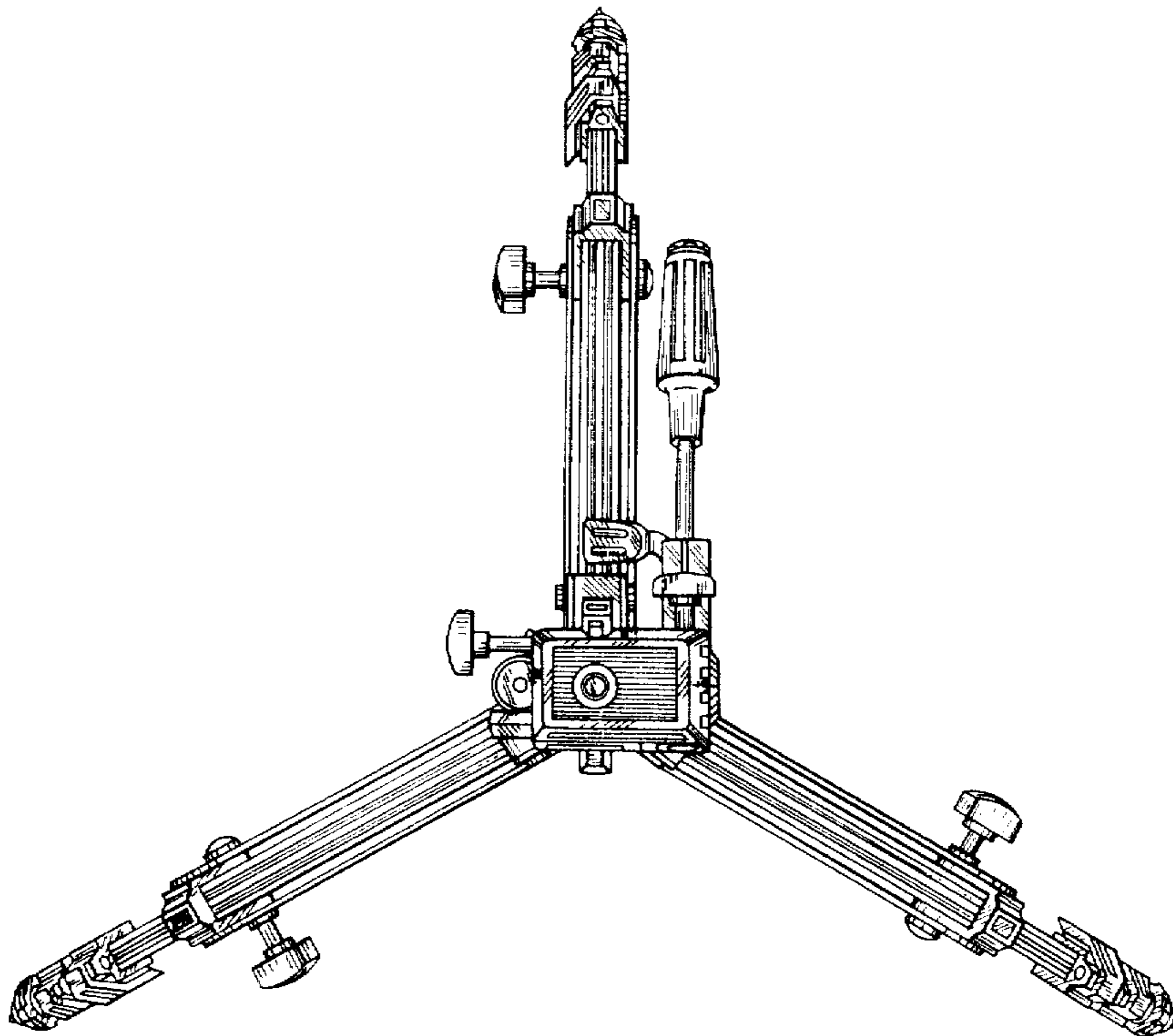
FIG. 3



F I G. 4



F I G. 5



F I G. 6

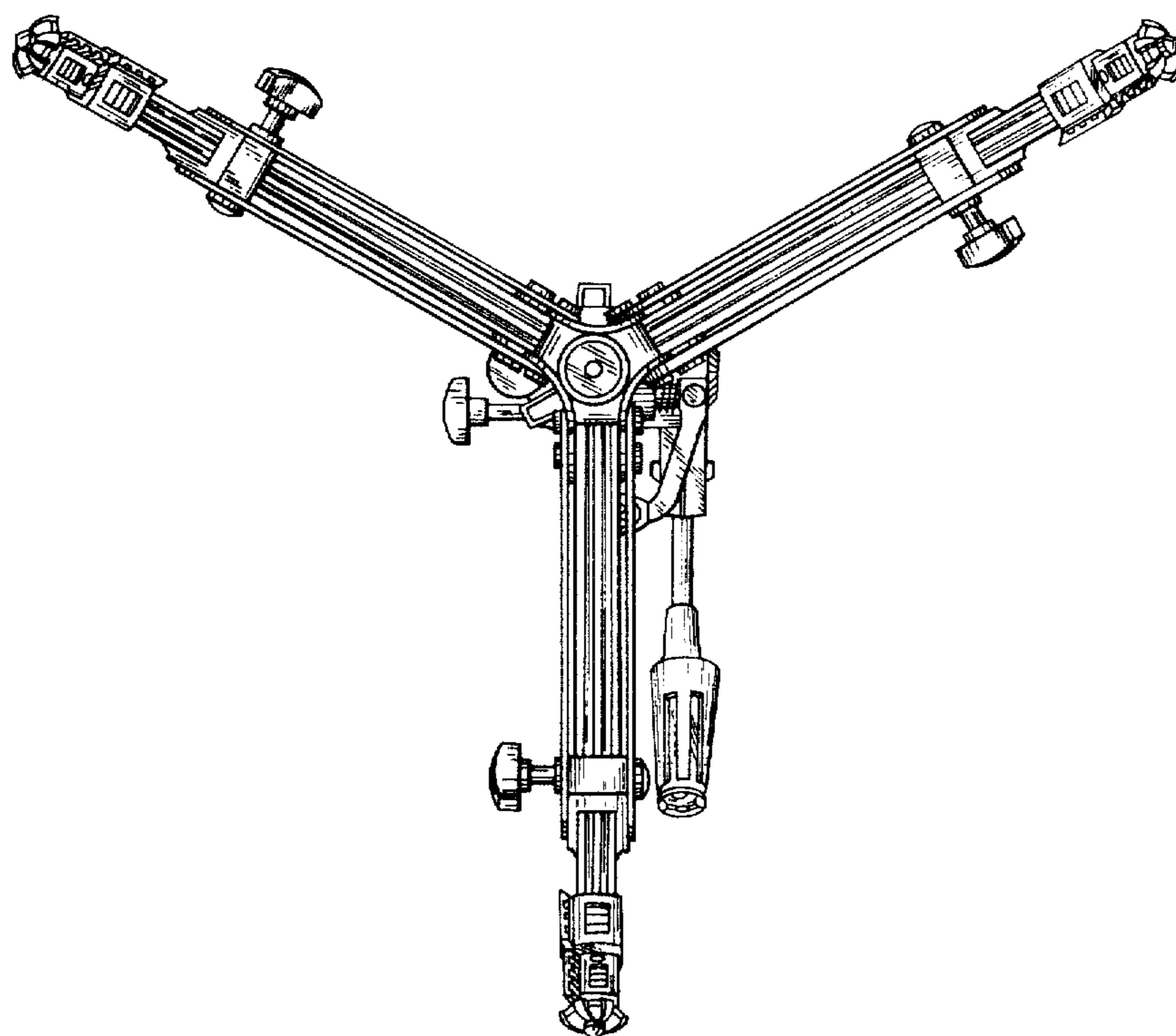
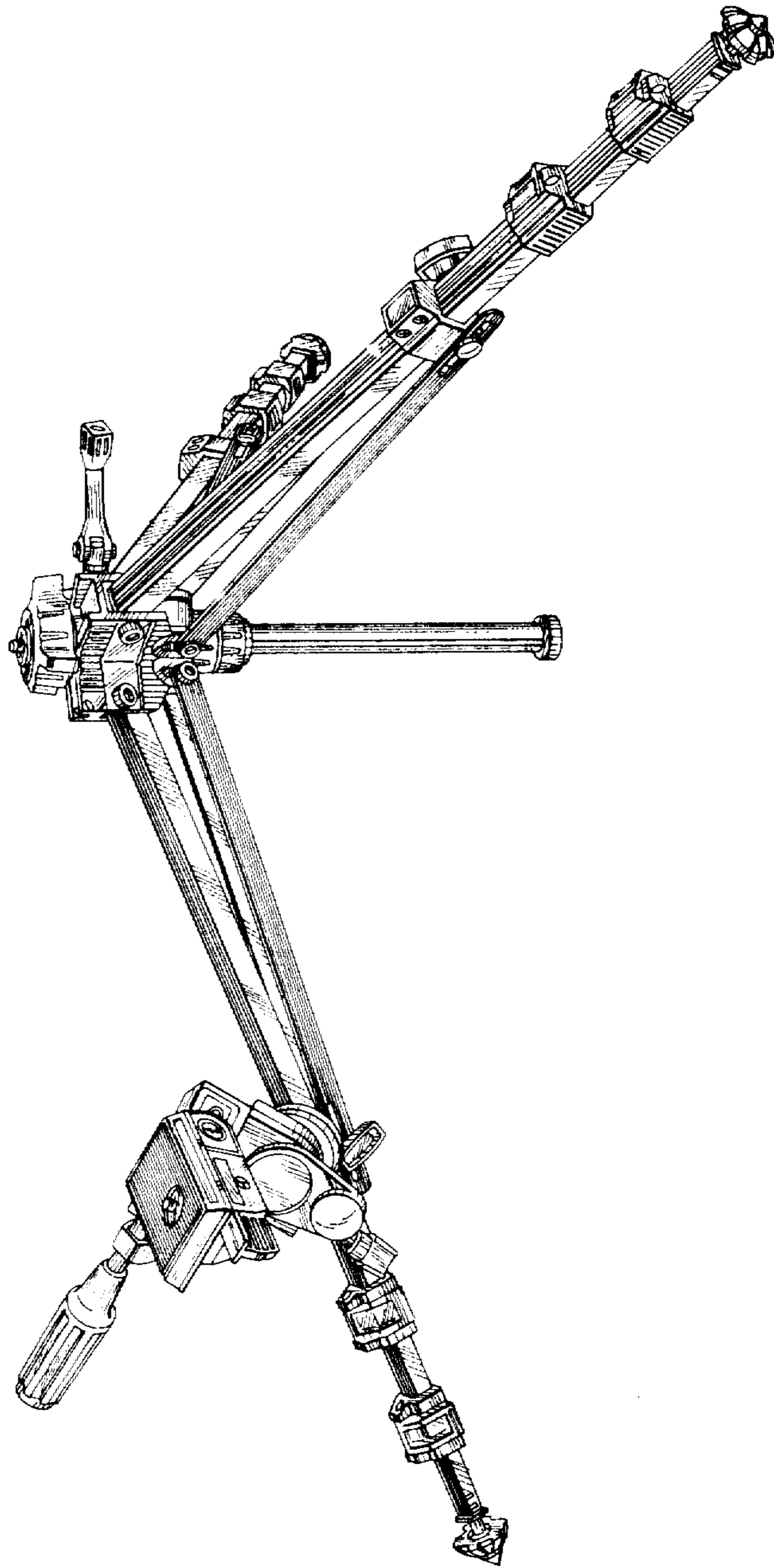
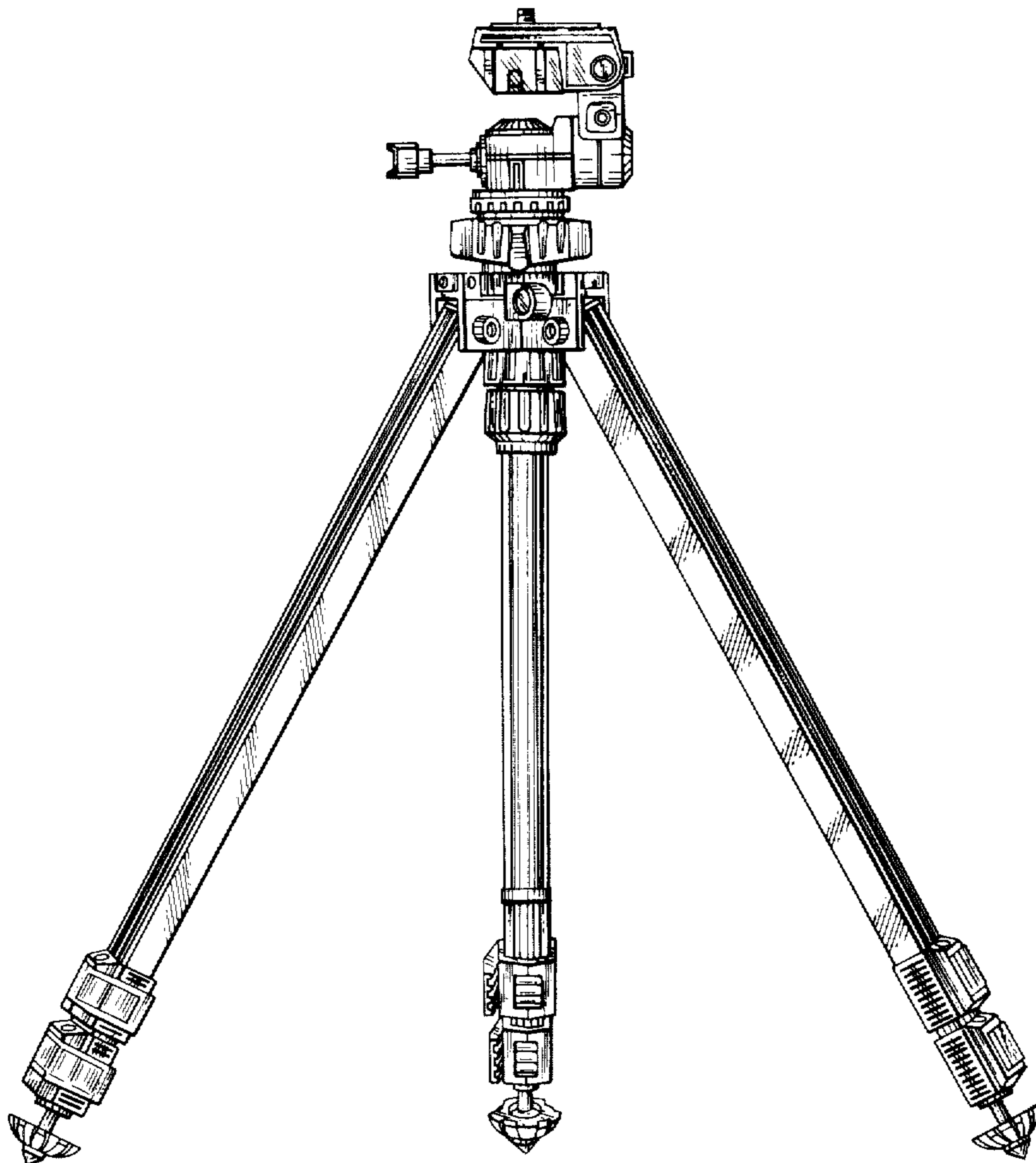


FIG. 7



F I G. 8



F I G. 9

