

[54] ELECTROPHOTOGRAPHIC COPIER

[75] Inventor: Hiroyuki Tokuda, Kawasaki, Japan

[73] Assignee: Canon Kabushiki Kaisha, Tokyo, Japan

[\*\*] Term: 14 Years

[21] Appl. No.: 140,105

[22] Filed: Apr. 14, 1980

[51] Int. Cl. .... D16-03

[52] U.S. Cl. .... D16/31

[58] Field of Search ..... D16/27, 29, 30, 31; 355/3, 8, 11, 50, 51

[56] References Cited

U.S. PATENT DOCUMENTS

D. 251,912	5/1979	Nakade	.....	D16/31
3,424,526	1/1969	Sacre	.....	355/8
3,740,132	6/1973	Komori	.....	355/8
3,861,796	1/1975	Tanaka	.....	355/8

4,136,941 1/1979 Sawaoka ..... 355/8

Primary Examiner—Nelson C. Holtje  
Attorney, Agent, or Firm—Fitzpatrick, Cella, Harper & Scinto

[57] CLAIM

The ornamental design for an electrophotographic copier, as shown and described.

DESCRIPTION

FIG. 1 is a front elevational view of an electrophotographic copier showing my new design;  
FIG. 2 is a rear elevational view thereof;  
FIG. 3 is a top plan view thereof;  
FIG. 4 is a bottom plan view thereof;  
FIG. 5 is a left side elevational view thereof;  
FIG. 6 is a right side elevational view thereof;  
FIG. 7 is a left front perspective view thereof;  
FIG. 8 is a left front perspective view thereof with the paper feed and receiving trays in the operational position.

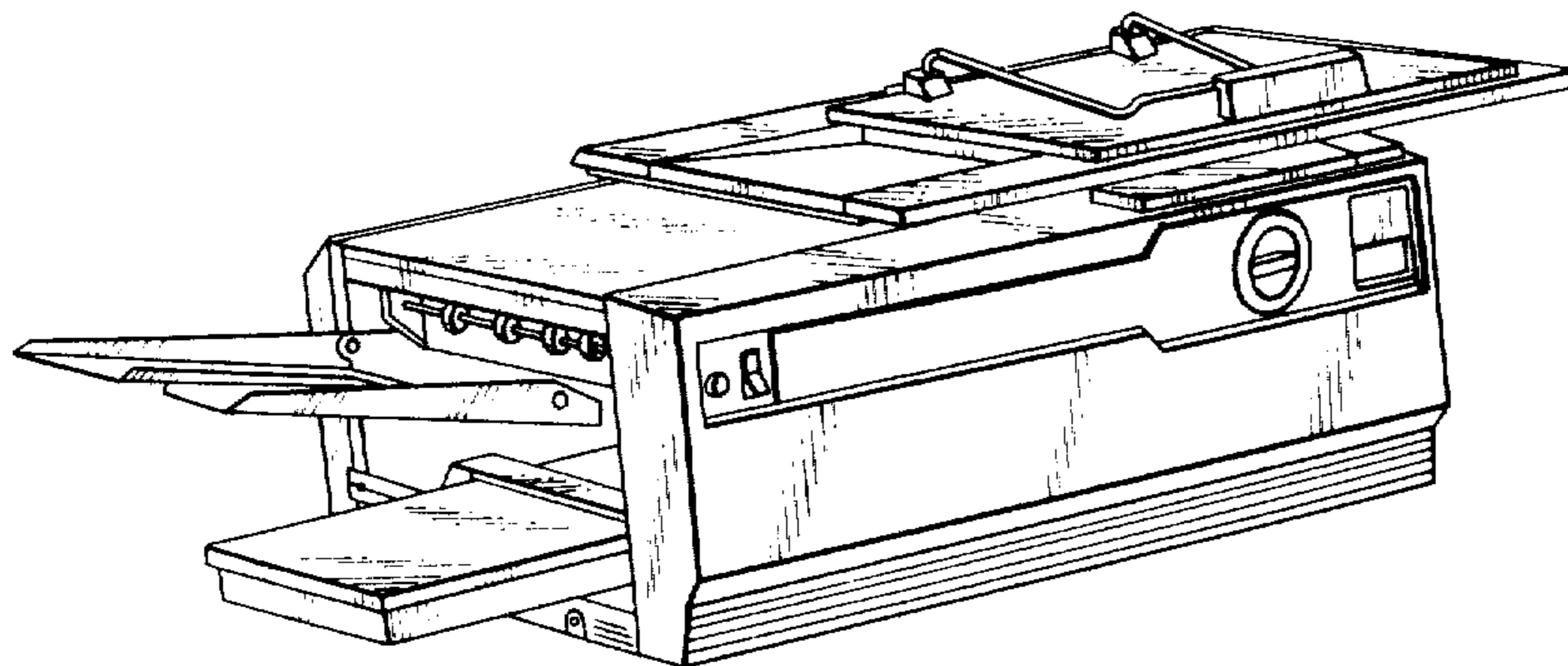


FIG. 1

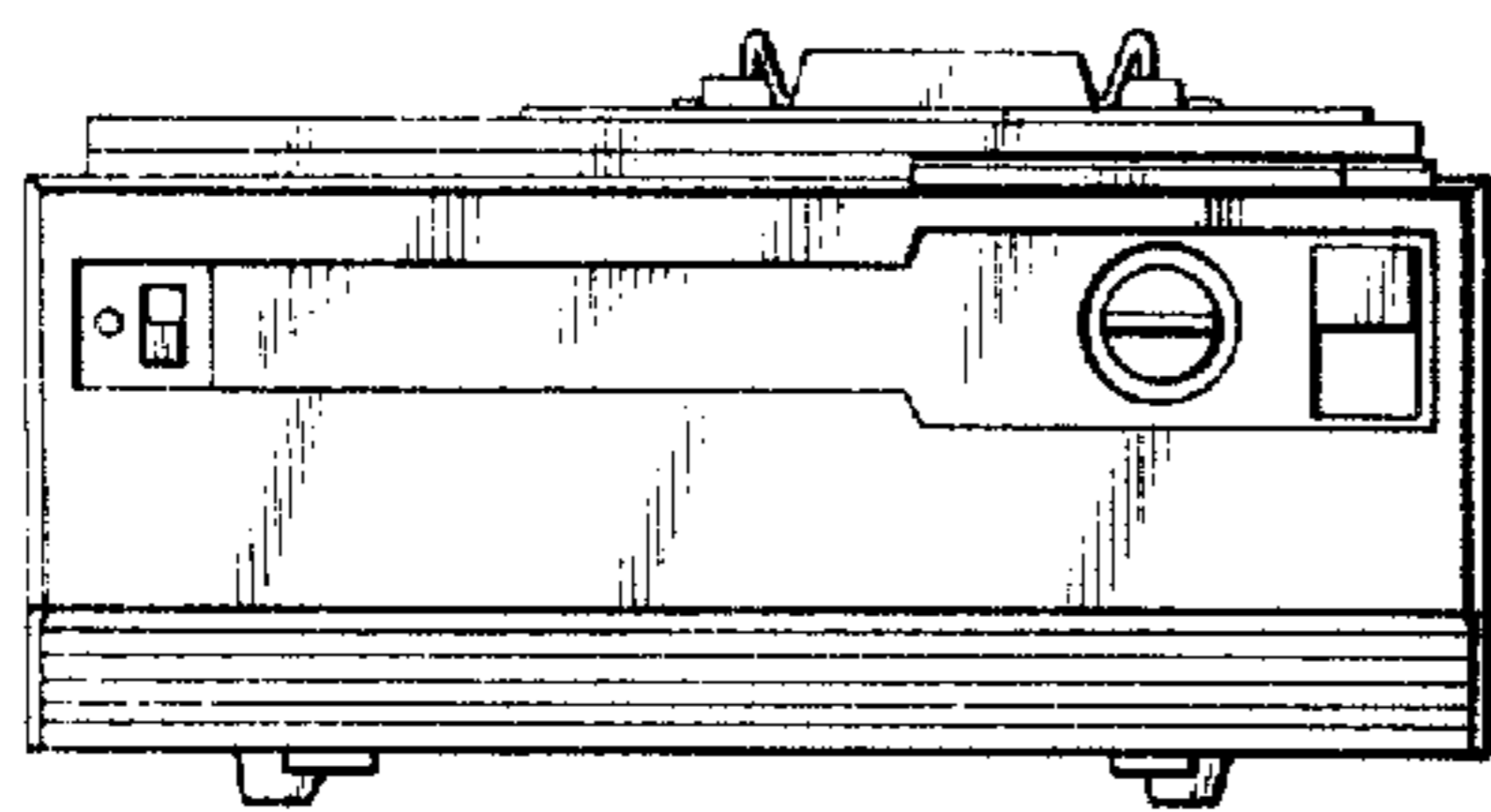


FIG. 2

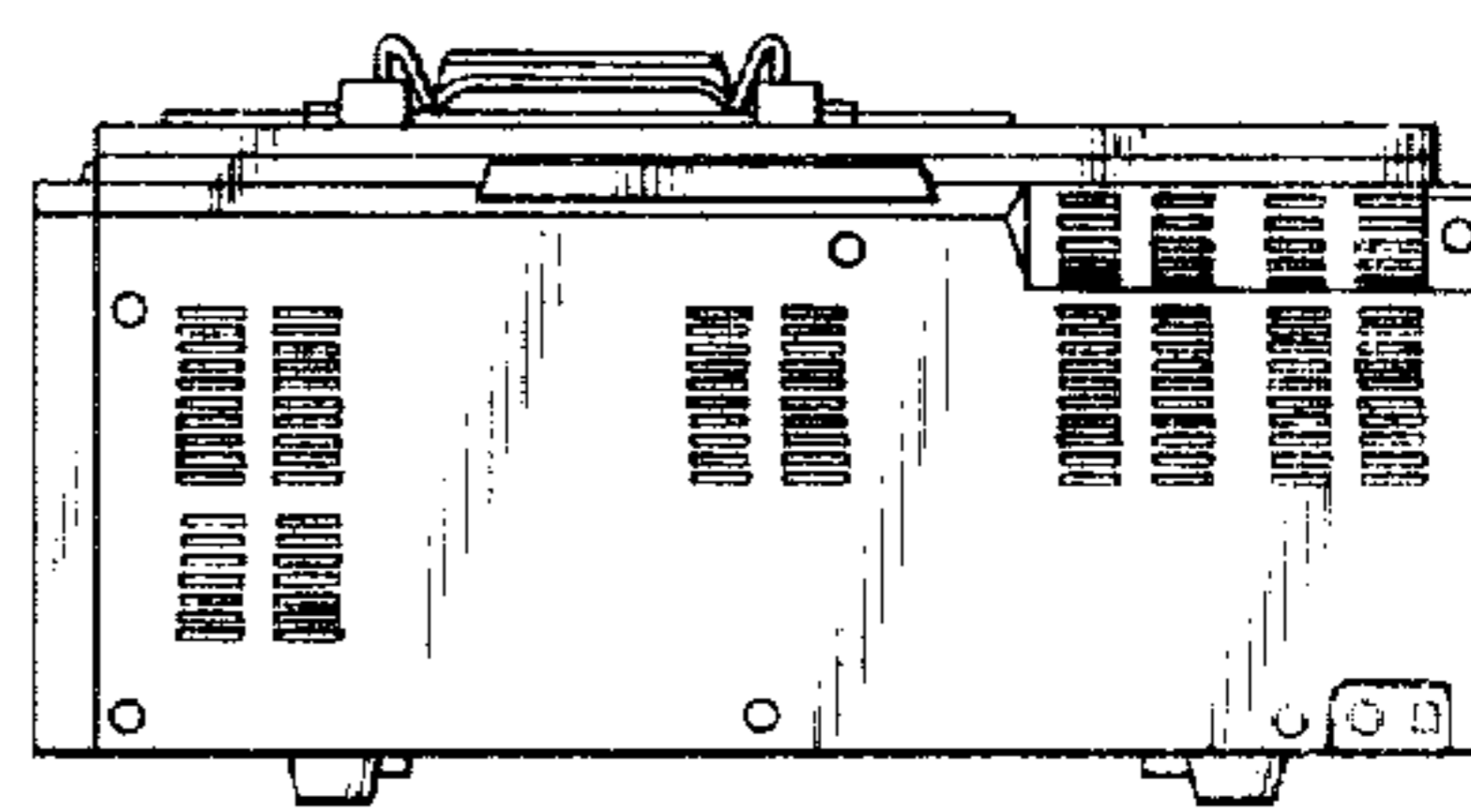


FIG. 3

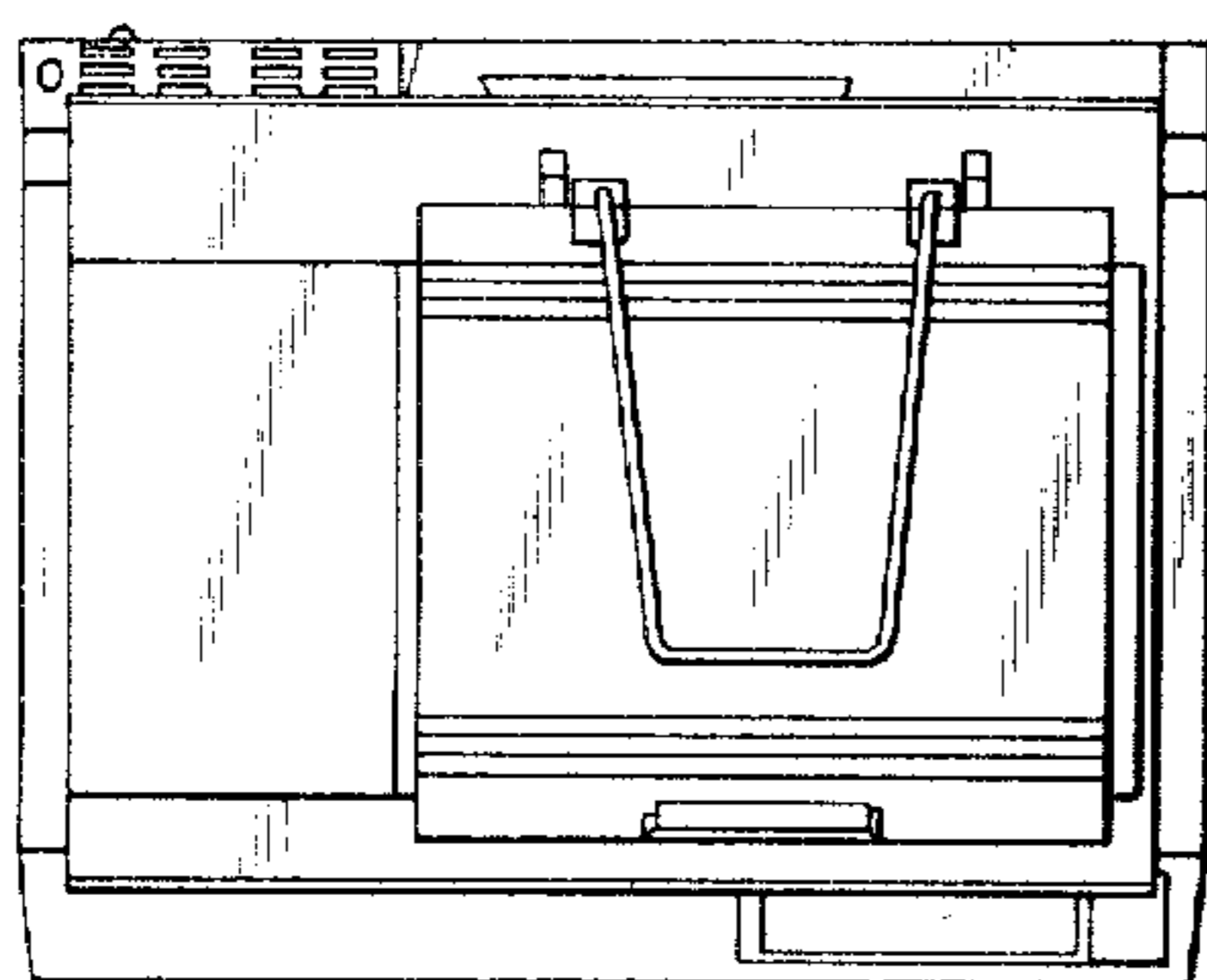


FIG. 4

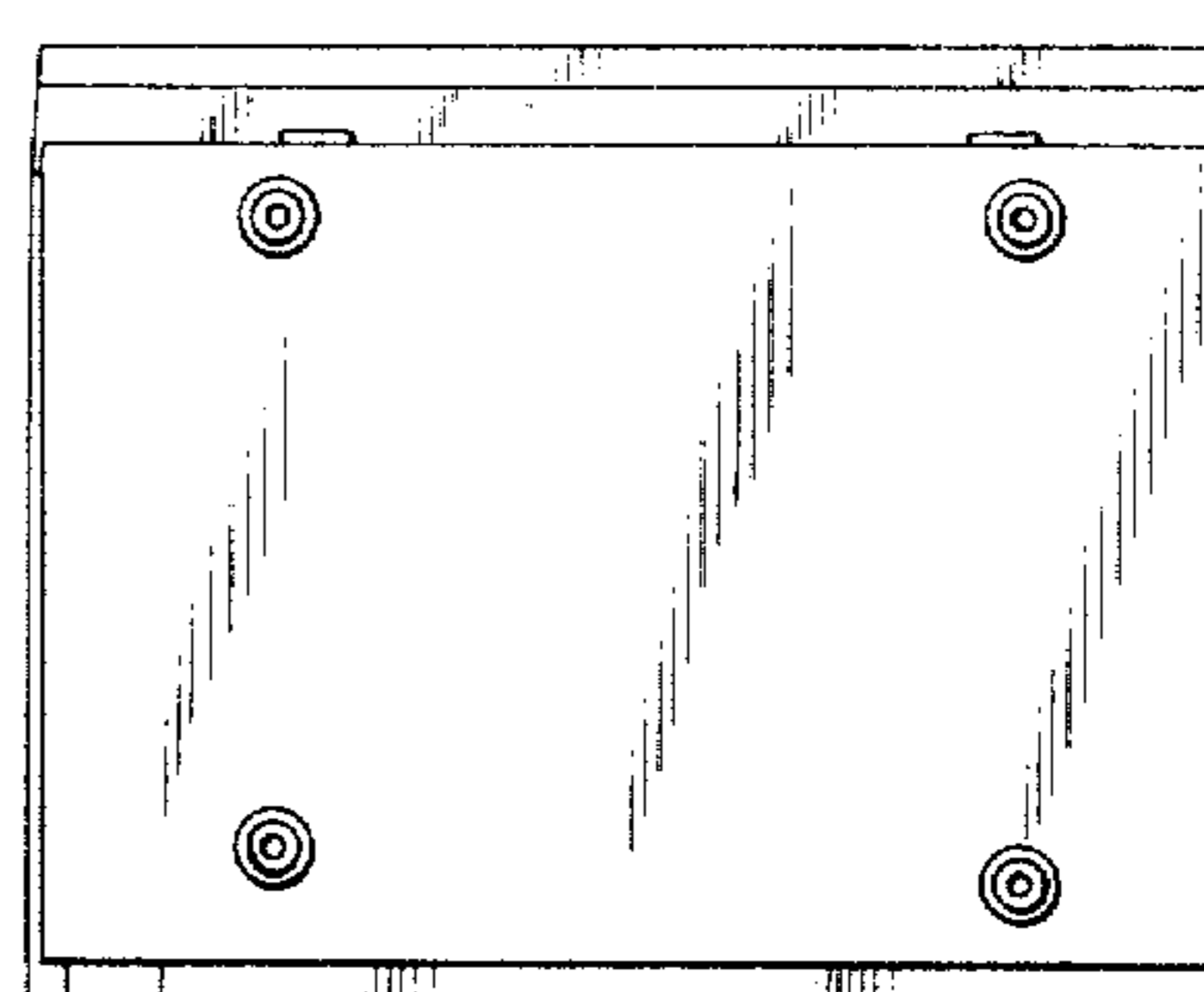


FIG. 5

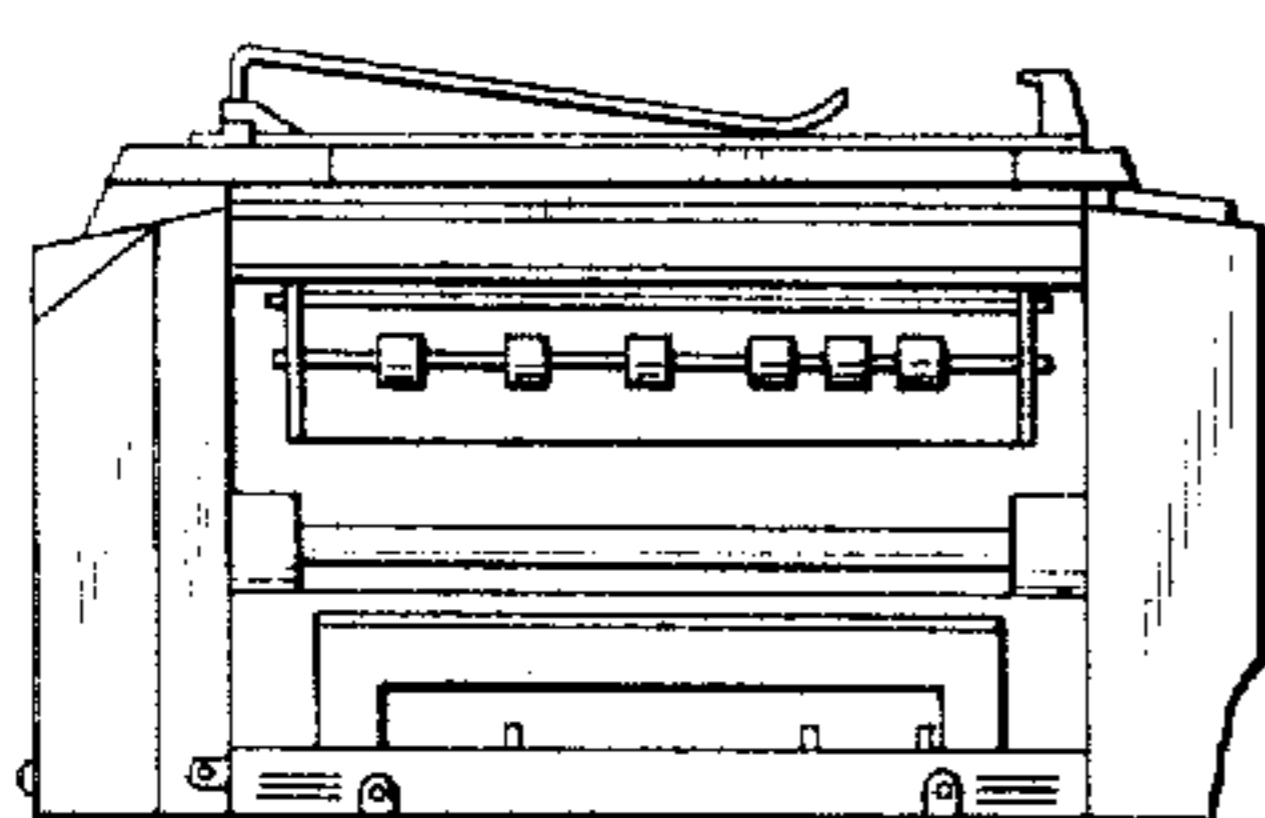


FIG. 6

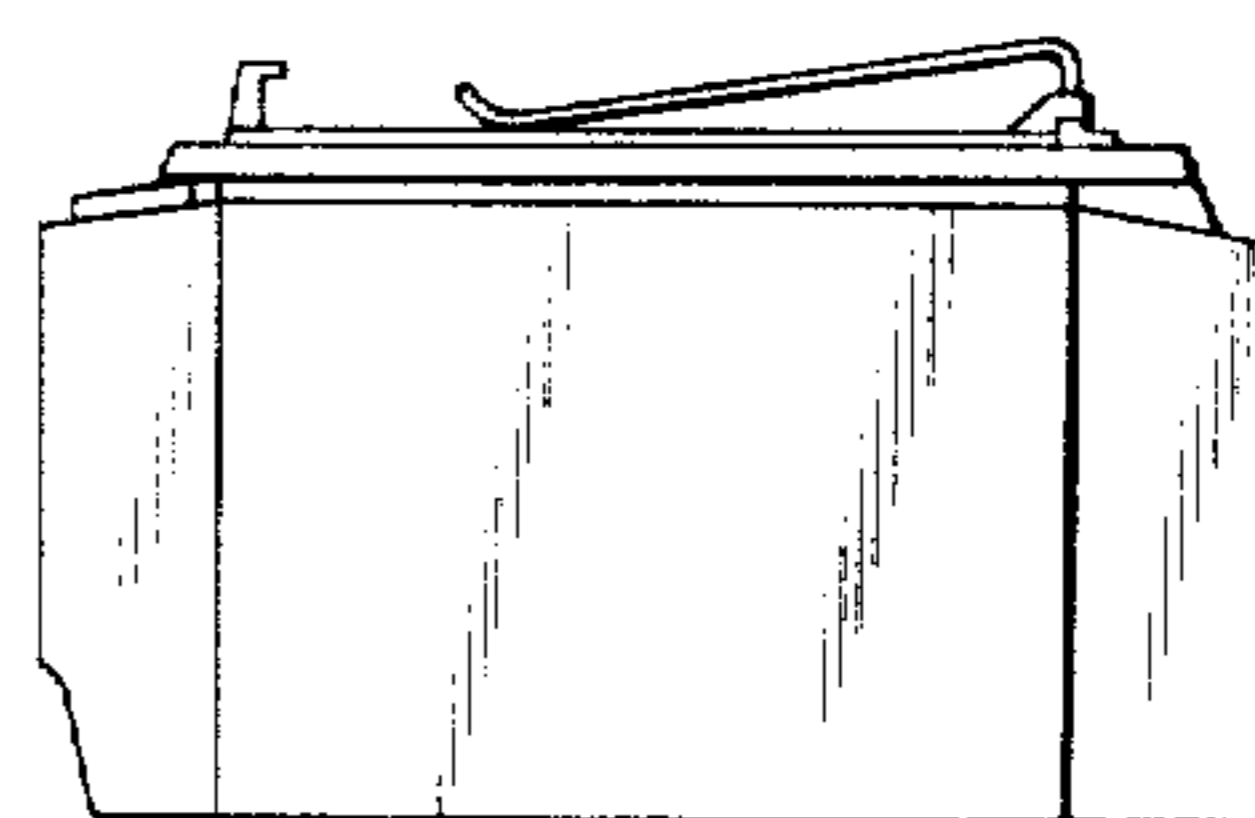


FIG. 7

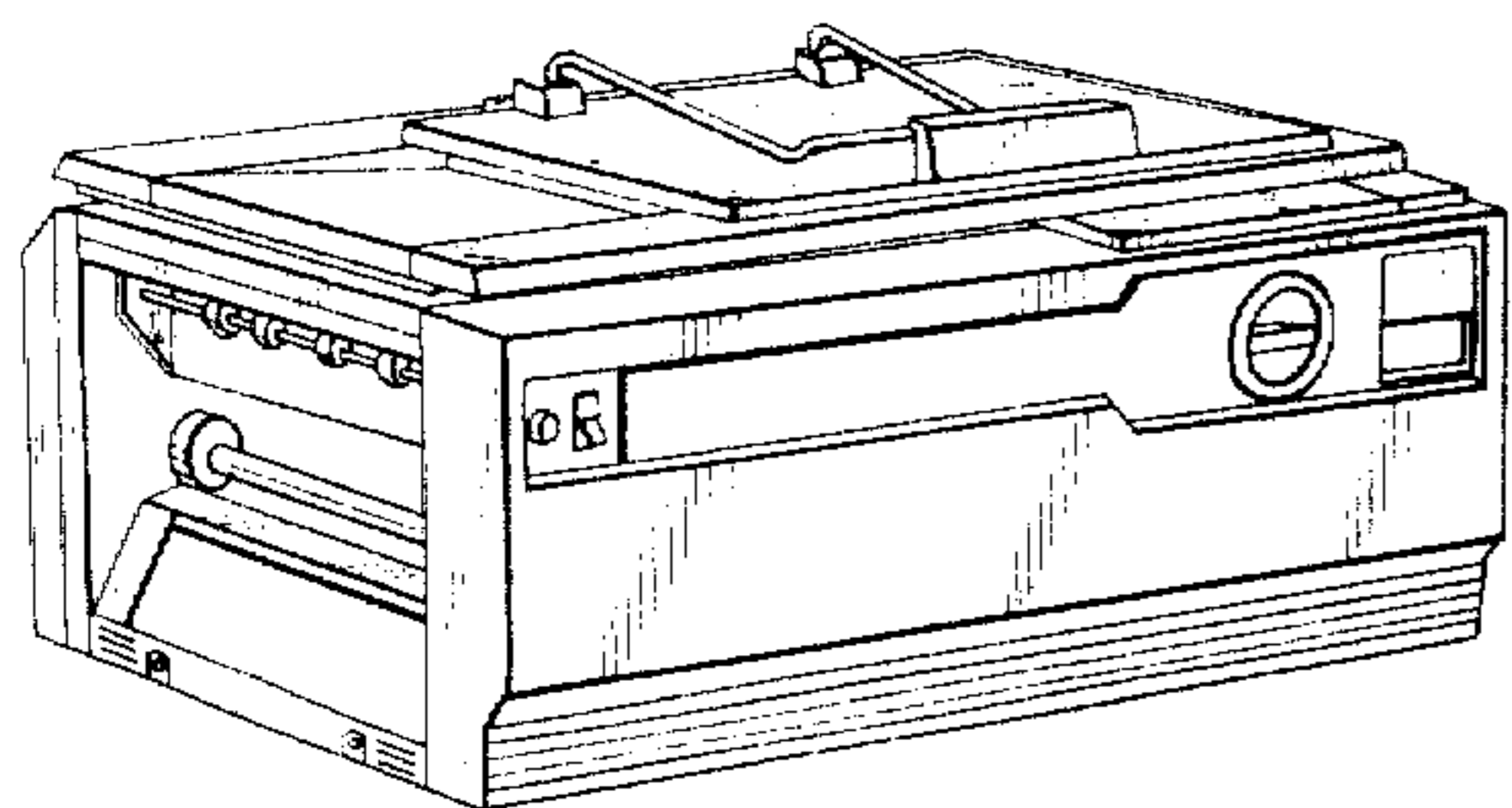
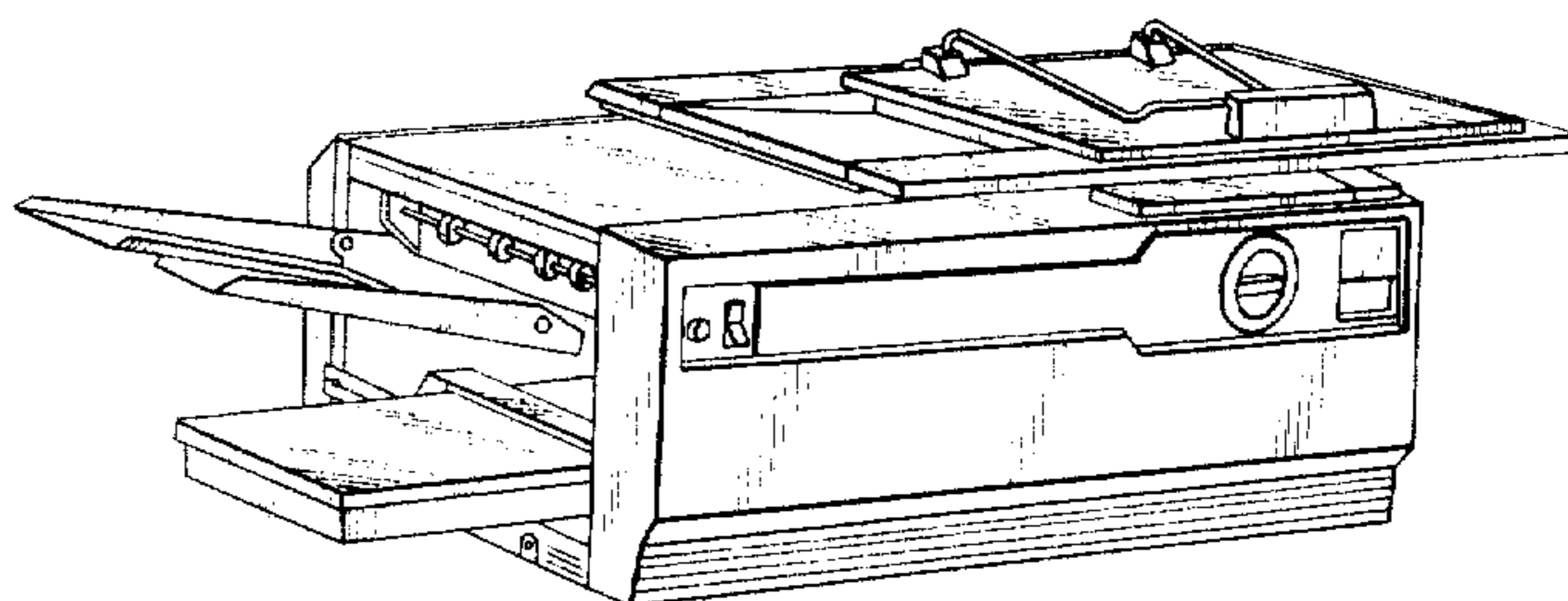


FIG. 8



UNITED STATES PATENT AND TRADEMARK OFFICE  
**CERTIFICATE OF CORRECTION**

PATENT NO. : Des. 264,725  
DATED : June 1, 1982  
INVENTOR(S) : HIROYUKI TOKUDA

It is certified that error appears in the above—identified patent and that said Letters Patent is hereby corrected as shown below:

On the title page,  
between items [22] and [51] insert the following  
priority information:

--[30] Foreign Application Priority Data  
October 24, 1979 [JP] Japan .....44633/1979--

**Signed and Sealed this**  
*Twenty-seventh Day of July 1982*

[SEAL]

*Attest:*

*Attesting Officer*

GERALD J. MOSSINGHOFF  
*Commissioner of Patents and Trademarks*