

[54] **MERCHANDISE BAGGING DEVICE**

[75] **Inventor:** Eiichi Tsujimoto, Kobe, Japan

[73] **Assignee:** Kawasaki Steel Corporation, Kobe, Japan

[\*\*] **Term:** 14 Years

[21] **Appl. No.:** 87,299

[22] **Filed:** Oct. 22, 1979

[30] **Foreign Application Priority Data**

Apr. 13, 1979 [JP] Japan ..... 54-15284

[51] **Int. Cl.** ..... D15-99

[52] **U.S. Cl.** ..... D15/145

[58] **Field of Search** ..... D15/145; 53/459, 22 B, 53/29, 63, 252

[56] **References Cited**

**U.S. PATENT DOCUMENTS**

D. 192,752	5/1962	Aul	.....	D15/145
D. 232,122	7/1974	Katz	.....	D15/145
3,538,671	11/1970	Wallace	.....	53/459
3,974,623	8/1976	Bate	.....	53/459 X

*Primary Examiner*—A. Hugo Word  
*Attorney, Agent, or Firm*—Wenderoth, Lind & Ponack

[57] **CLAIM**

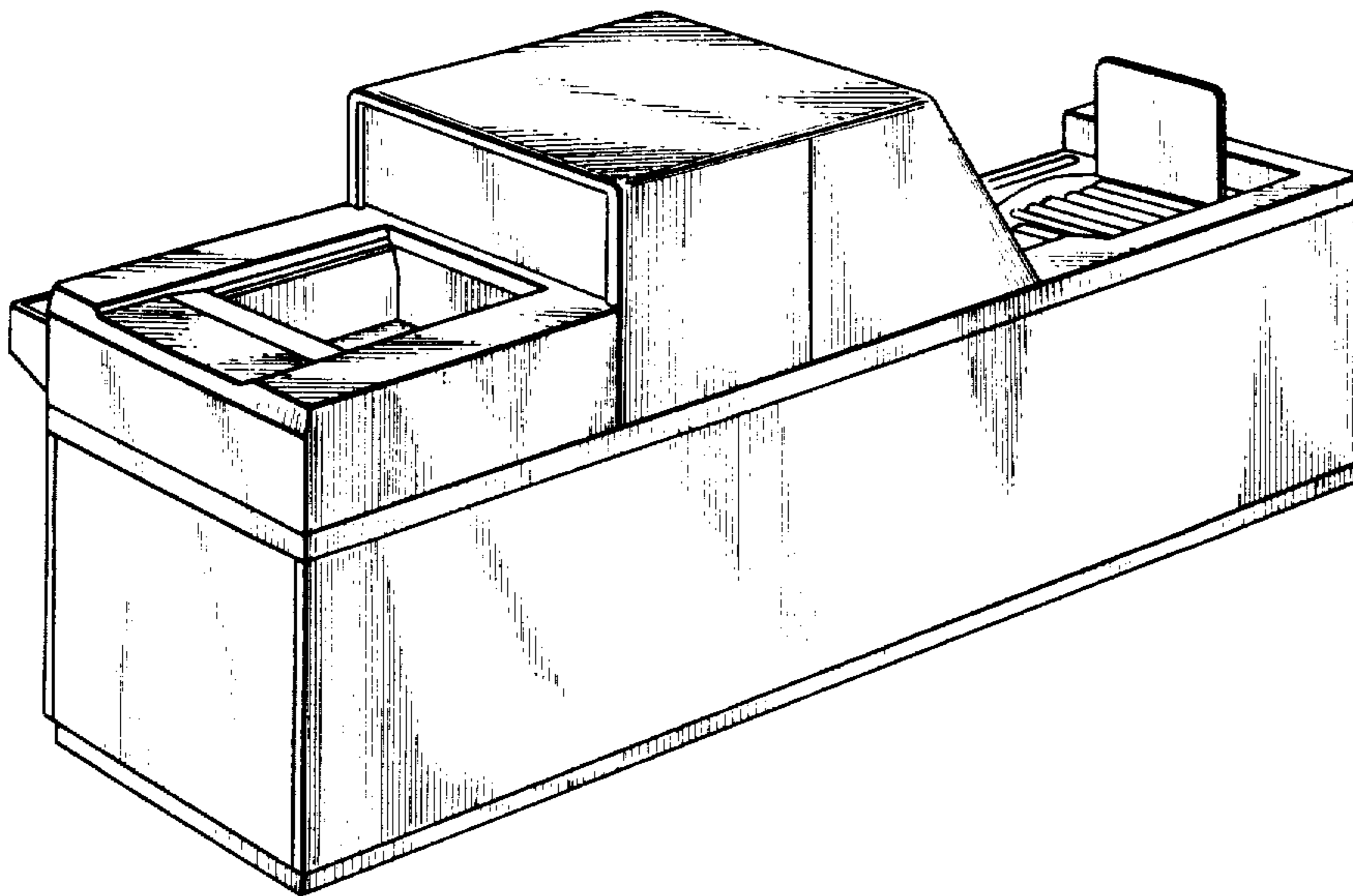
The ornamental design for a merchandise bagging device, as shown and described.

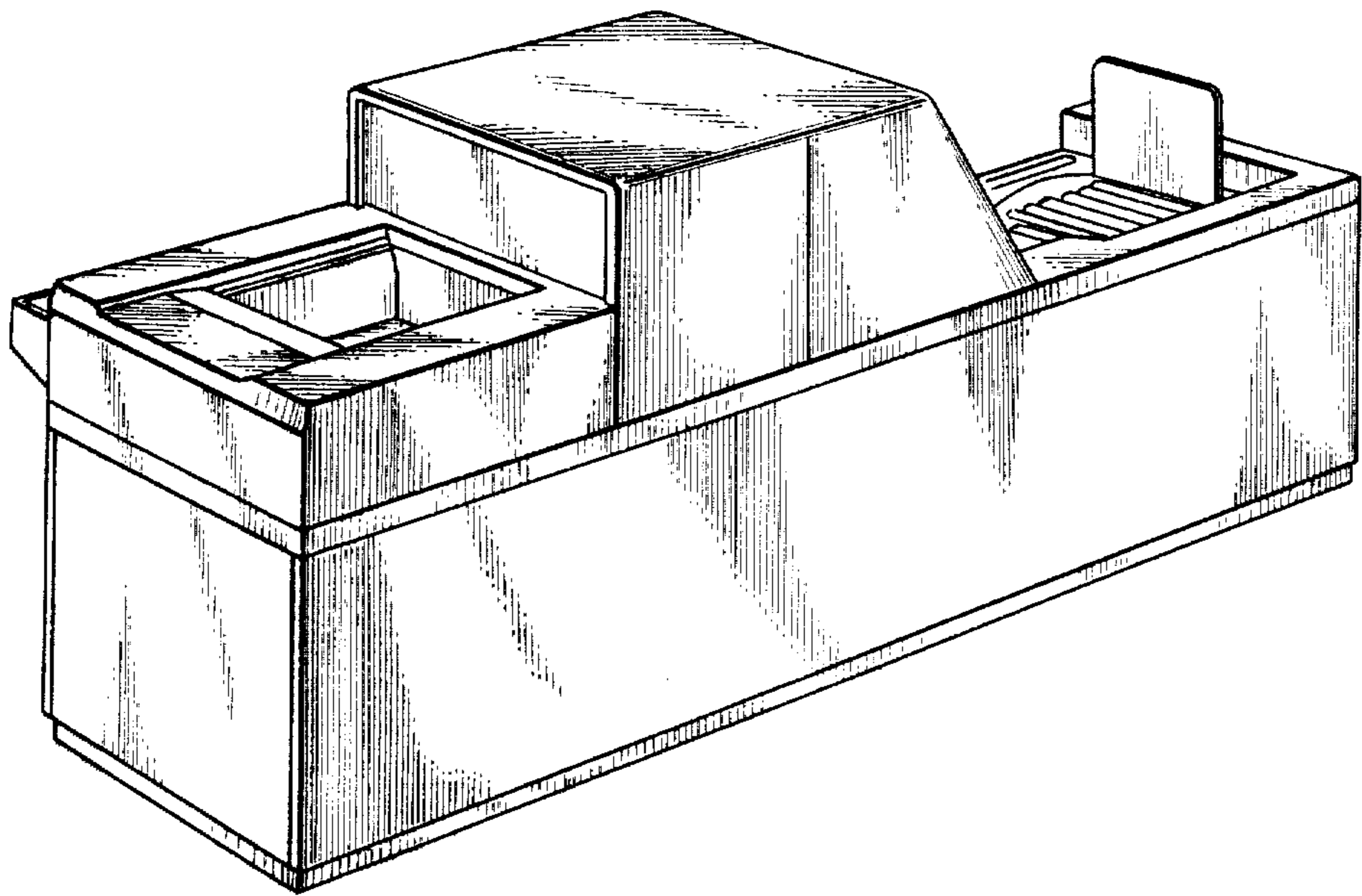
**DESCRIPTION**

FIG. 1 is a perspective view of the merchandise bagging device taken from above and to the right, and showing the new design; and

FIG. 2 is a perspective view thereof taken from above and to the left.

The surfaces of the end not shown are plain and unornamented.





*Fig. 2*

