

[54] JEWELER'S SHIELD

[76] Inventors: Michael P. Summers, 1209 E. Broadway, Apt. 22D, Hewlett, N.Y. 11557; Kenneth Bishop, 30 Saddlerock Rd., Valley Stream, N.Y. 11581

[\*\*] Term: 14 Years

[21] Appl. No.: 131,474

[22] Filed: Mar. 18, 1980

[51] Int. Cl. ..... D15-99  
[52] U.S. Cl. ..... D15/138  
[58] Field of Search ..... D15/138; 51/268, 270, 51/272

[56]

References Cited

U.S. PATENT DOCUMENTS

|           |         |         |        |
|-----------|---------|---------|--------|
| 1,007,272 | 10/1911 | Crease  | 51/270 |
| 1,340,213 | 5/1920  | Burnett | 51/270 |
| 1,374,075 | 4/1921  | Graham  | 51/270 |
| 2,059,039 | 10/1936 | Sandman | 51/270 |
| 2,100,344 | 11/1937 | Medart  | 51/270 |
| 2,401,056 | 5/1946  | Dilley  | 51/272 |
| 2,432,535 | 12/1947 | McBride | 51/270 |
| 2,875,642 | 3/1959  | Colburn | 51/268 |
| 4,120,121 | 10/1978 | Surman  | 51/270 |

Primary Examiner—Peter M. Caun

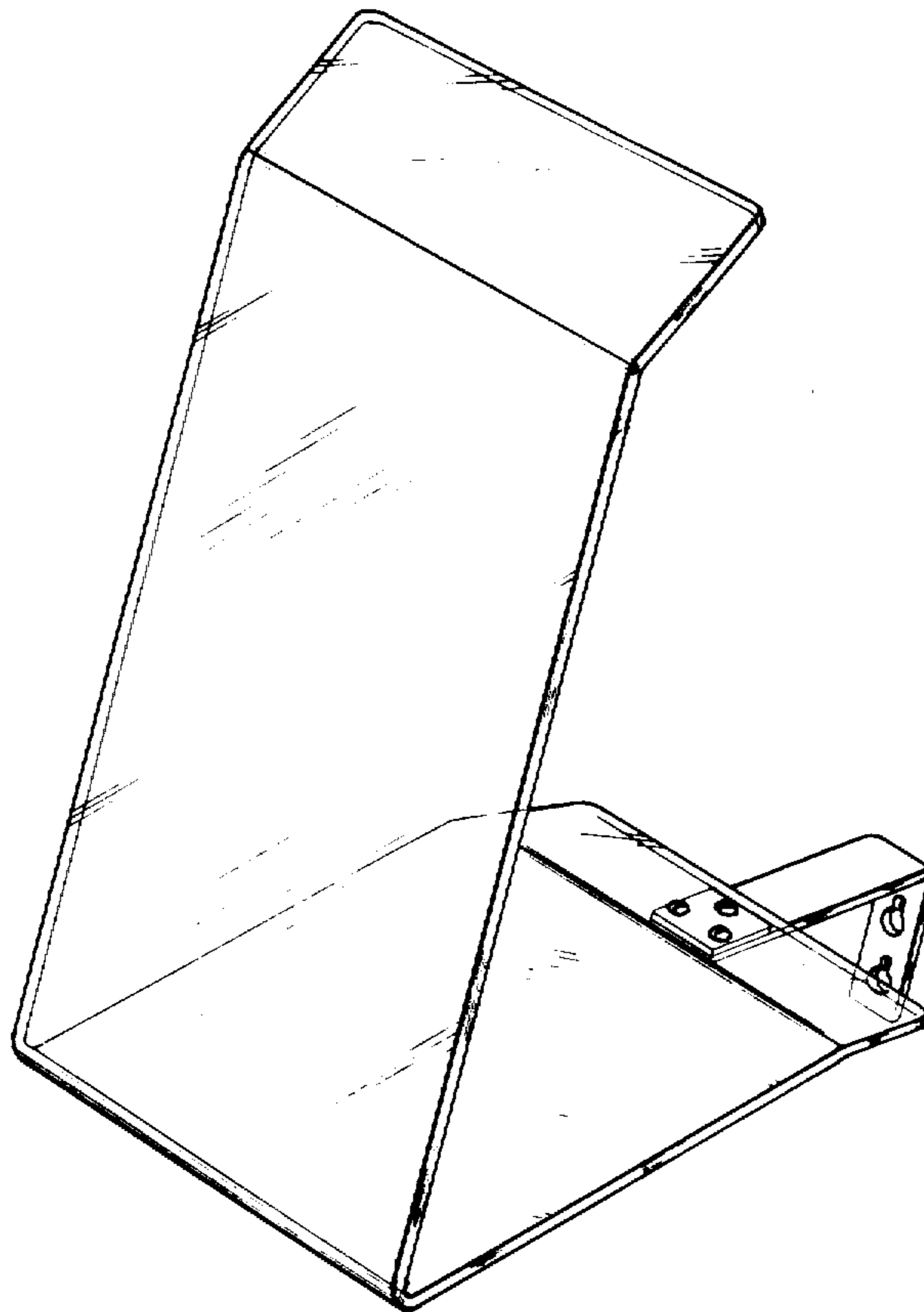
[57]

CLAIM

The ornamental design for a jeweler's shield, as shown.

DESCRIPTION

FIG. 1 is a perspective view of a jeweler's shield embodying our design;  
FIG. 2 is a front elevational view of FIG. 1;  
FIG. 3 is a right side view of FIG. 2;  
FIG. 4 is a top plan view of FIG. 2; and  
FIG. 5 is a bottom view of FIG. 4.



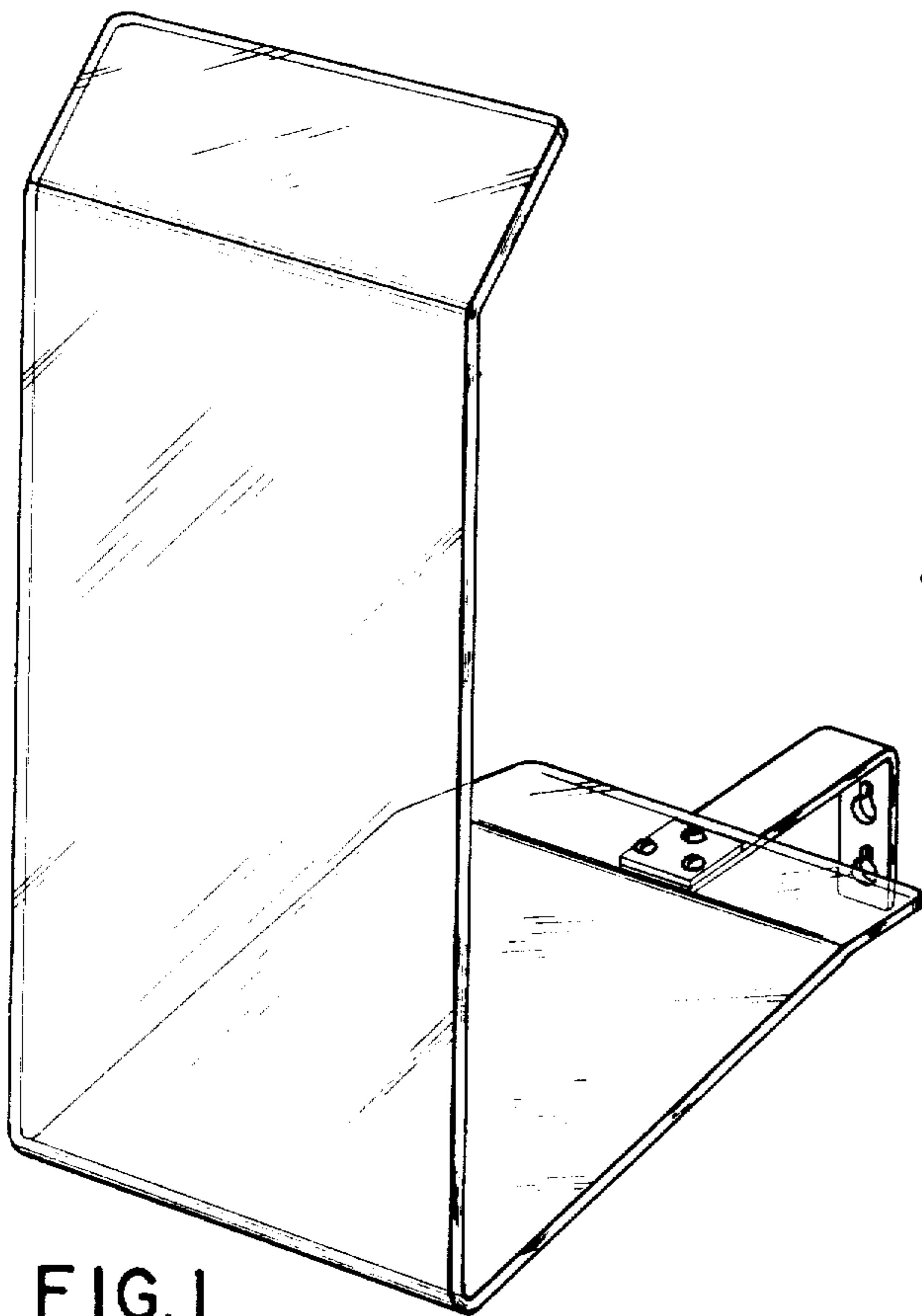


FIG. 1

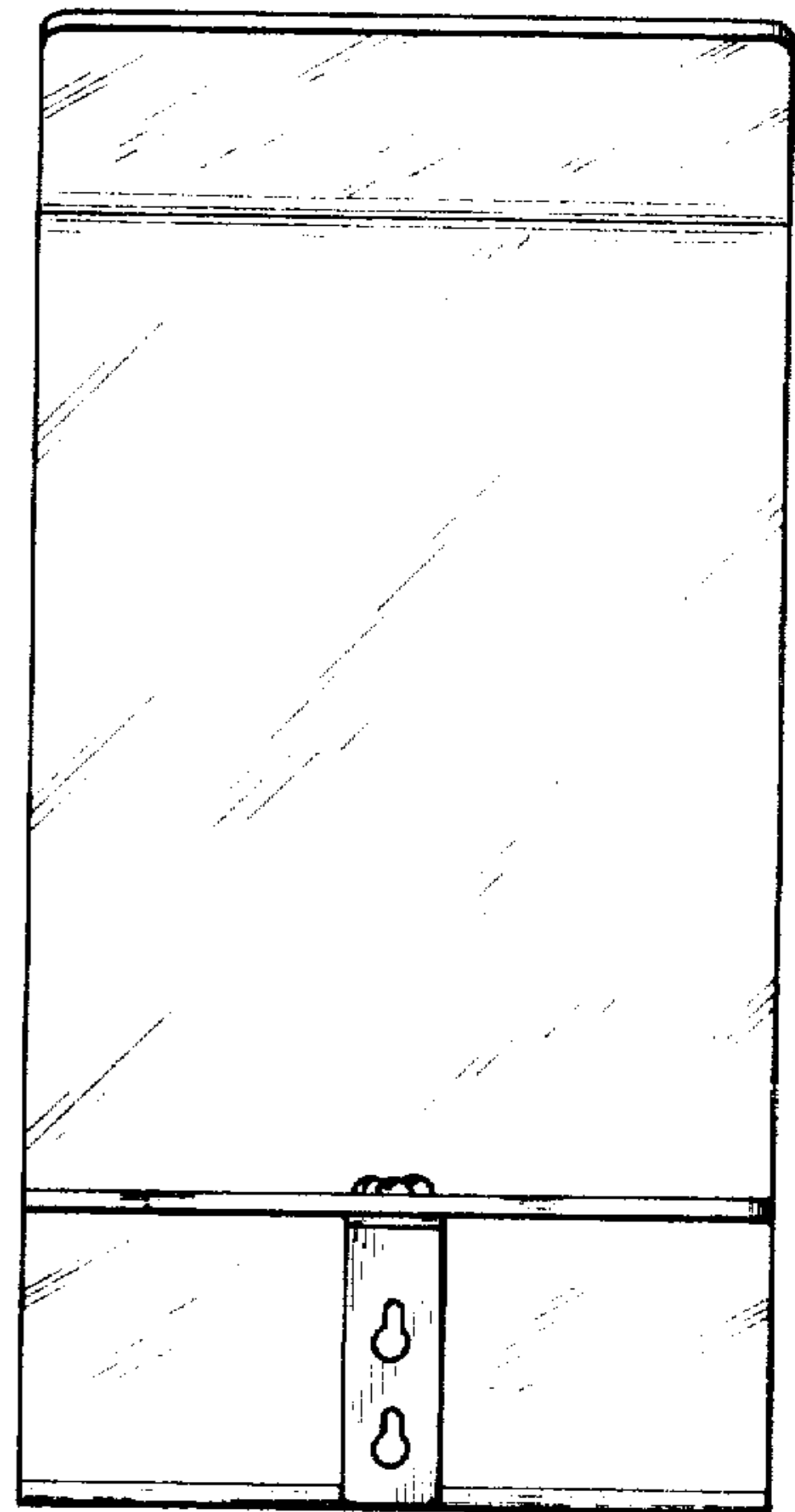


FIG. 2

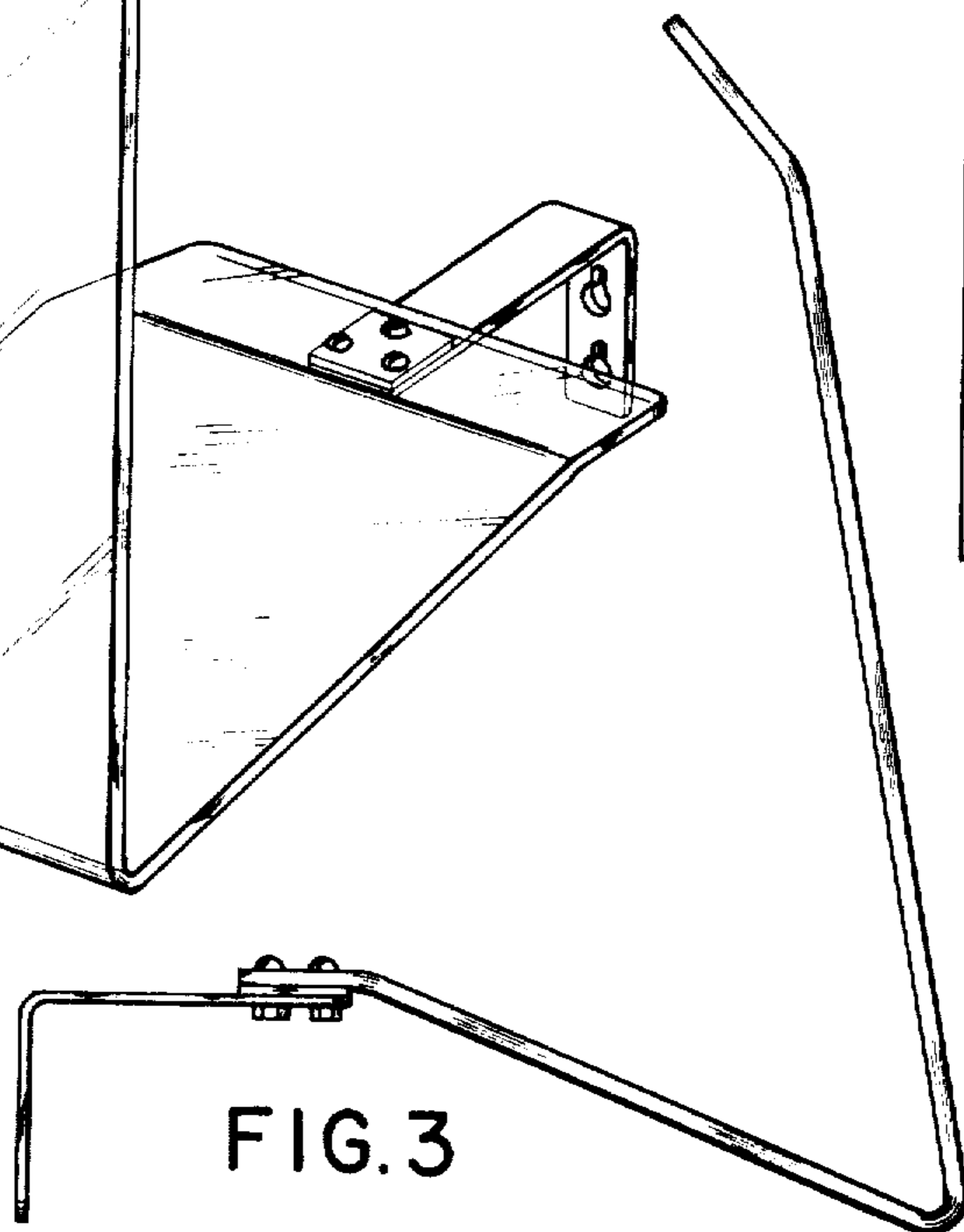


FIG. 3

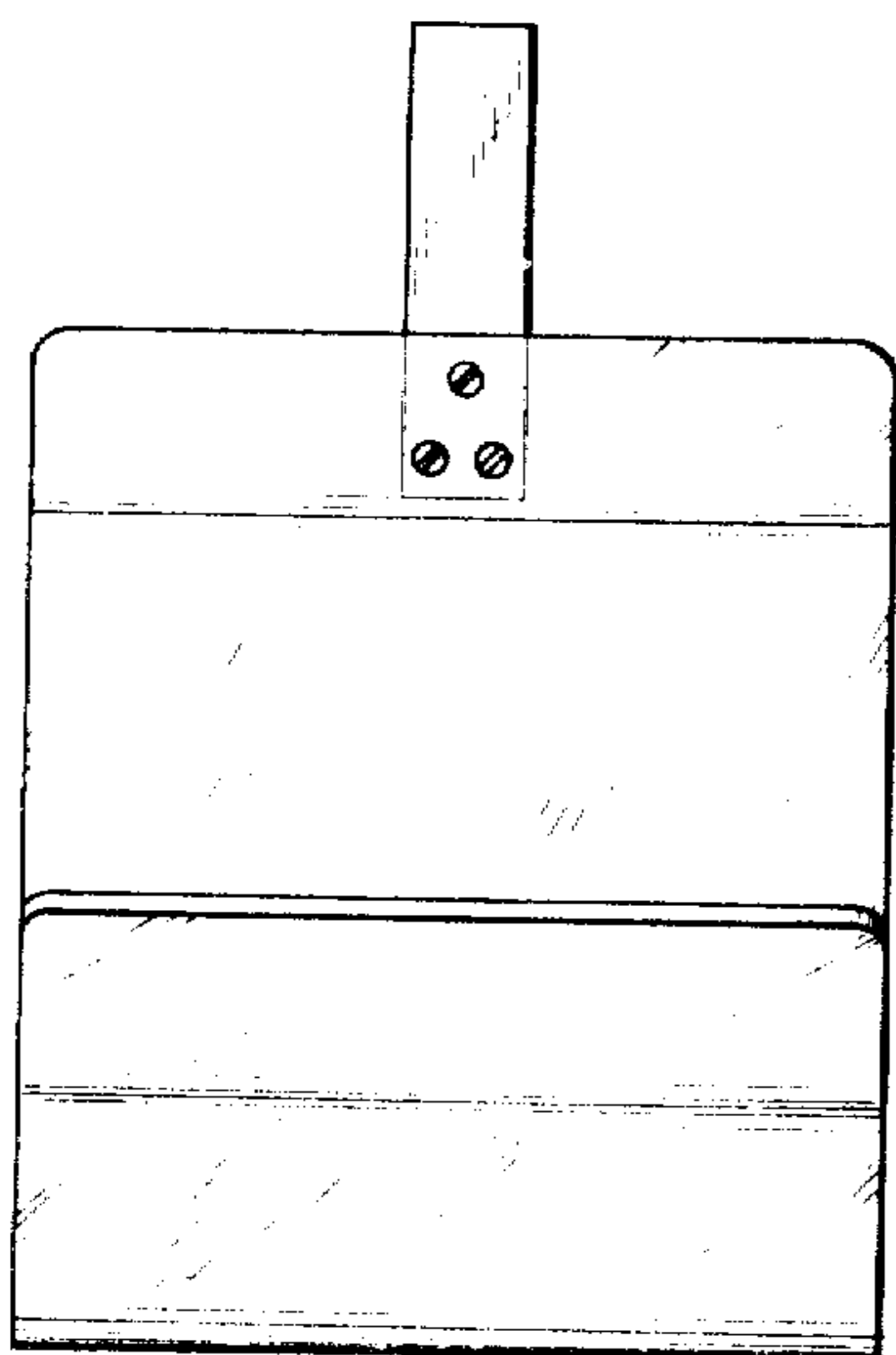


FIG. 4

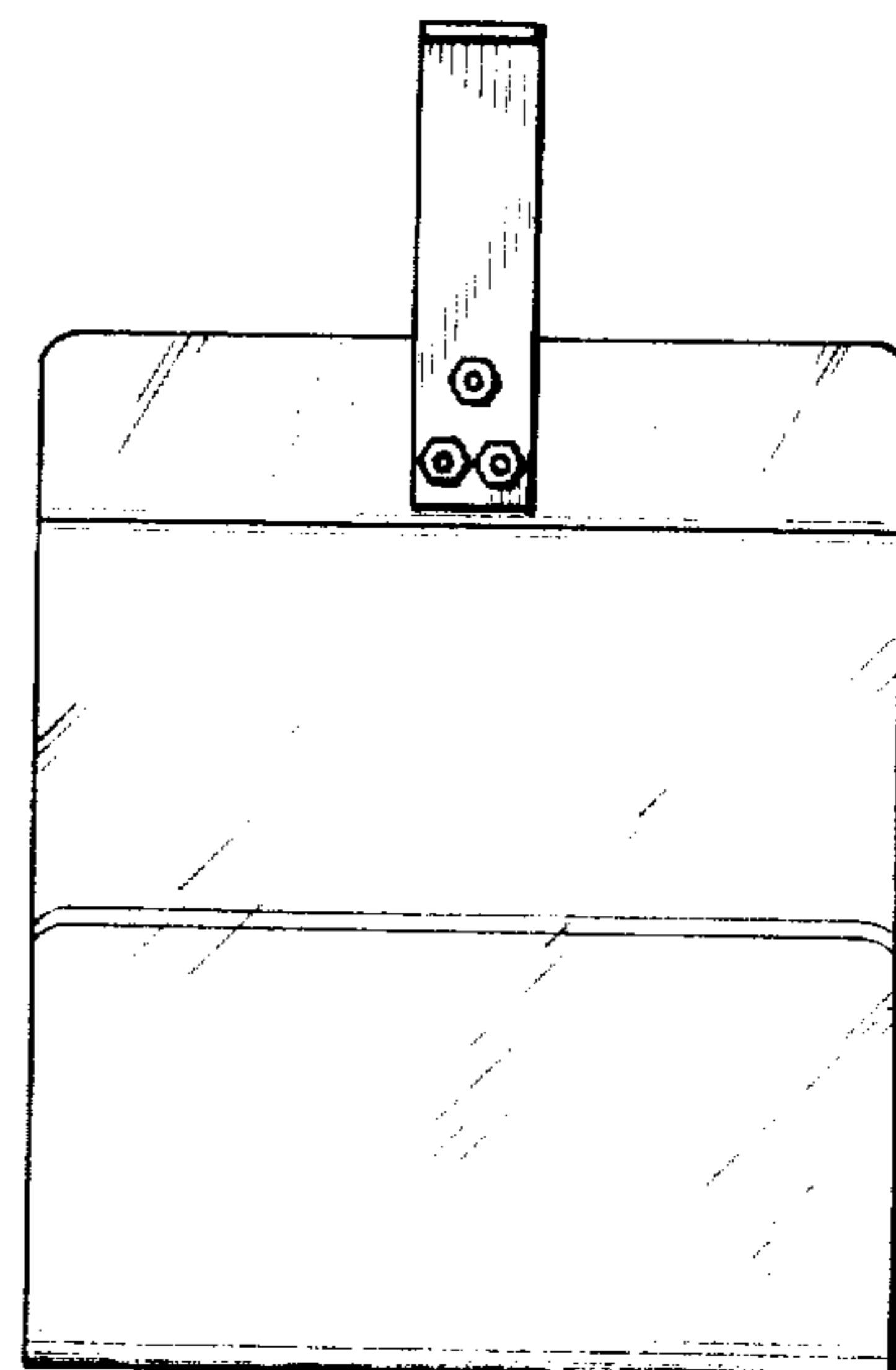


FIG. 5