

[54] HOUSING FOR ABRASIVE BELT SANDING MACHINE

[76] Inventor: Aaron P. Rasmussen, 9606 Candy La., La Mesa, Calif. 92041

[**] Term: 14 Years

[21] Appl. No.: 131,284

[22] Filed: Mar. 18, 1980

[51] Int. Cl. D15-09

[52] U.S. Cl. D15/126

[58] Field of Search D15/124-126; D8/62; 51/3, 135 R

[56] References Cited

U.S. PATENT DOCUMENTS

D. 107,805 1/1938 Tautz D15/124

D. 254,789 4/1980 Fleckenstein D15/126
D. 255,034 5/1980 Welsch et al. D15/126
2,744,362 5/1956 Gordo et al. 51/135
2,763,103 9/1956 Bader 51/135 R

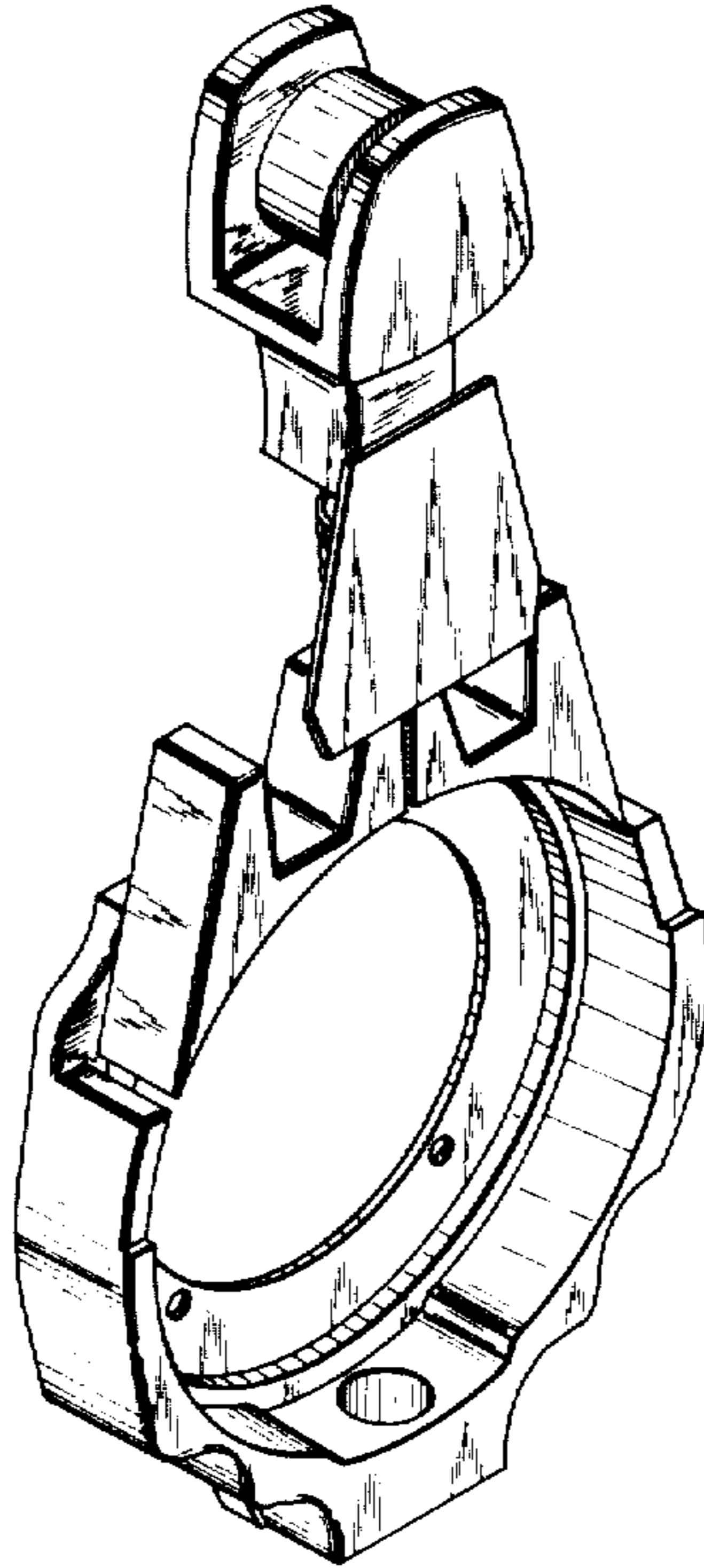
Primary Examiner—B. J. Bullock
Attorney, Agent, or Firm—Charles C. Logan, II

[57] CLAIM

The ornamental design for a housing for abrasive belt sanding machine, substantially as shown.

DESCRIPTION

FIG. 1 is a perspective view of a housing for abrasive belt sanding machine showing my new design; FIG. 2 is a side elevational view taken from the right of FIG. 1; FIG. 3 is a rear elevation thereof; and FIG. 4 is a bottom plan view thereof.



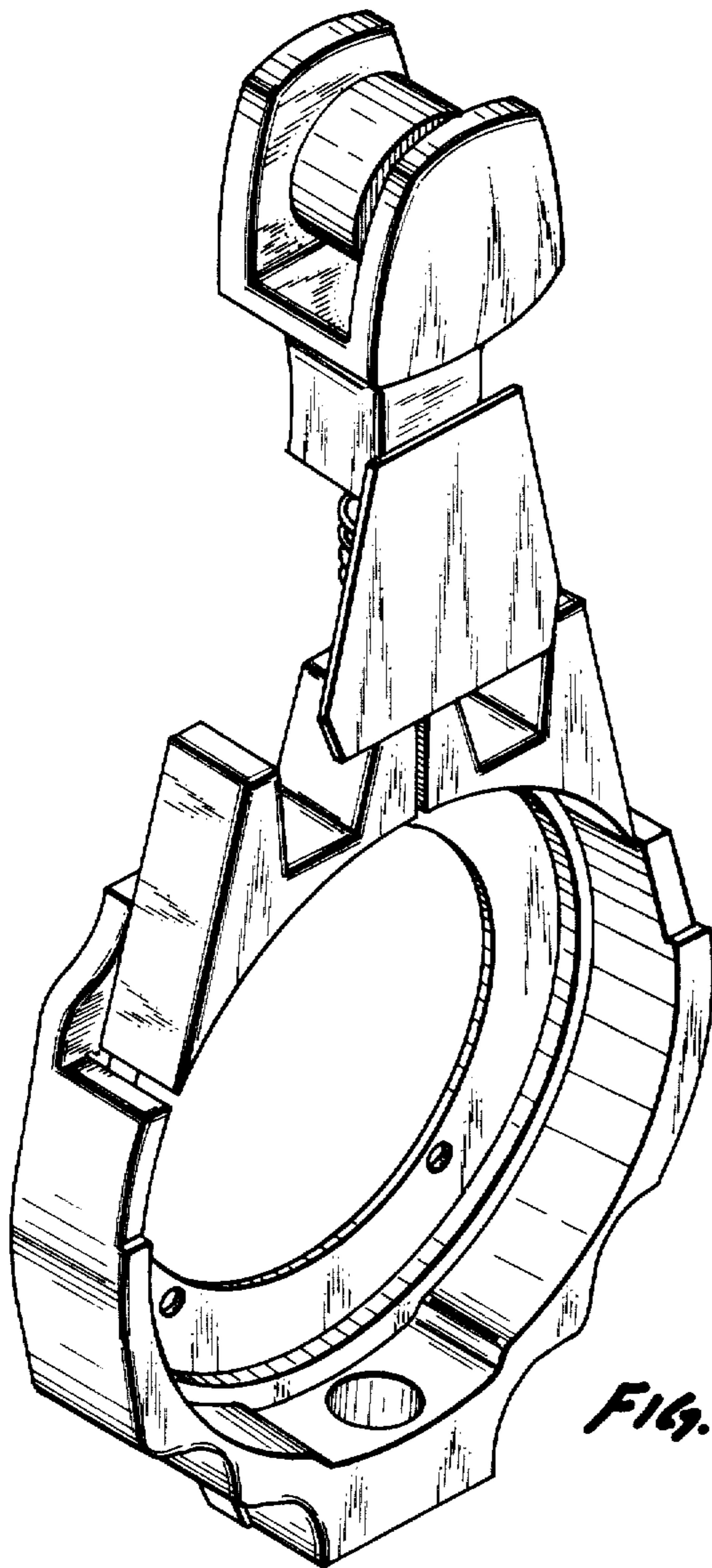


FIG. 1

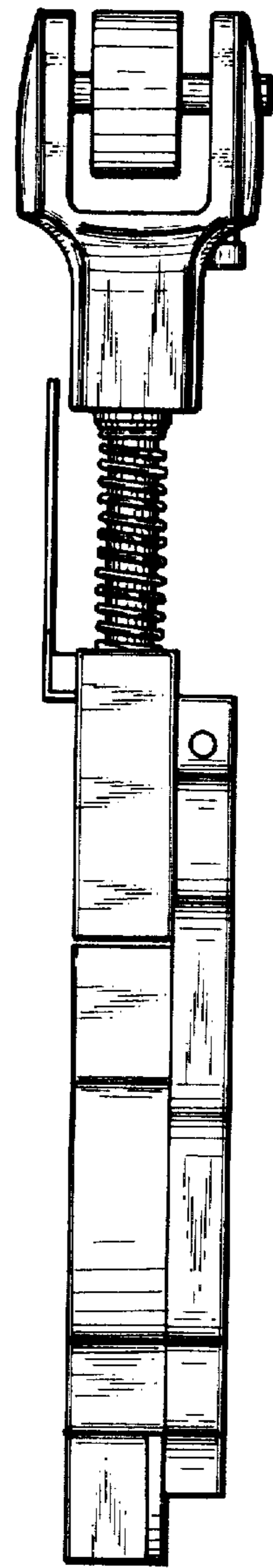


FIG. 2

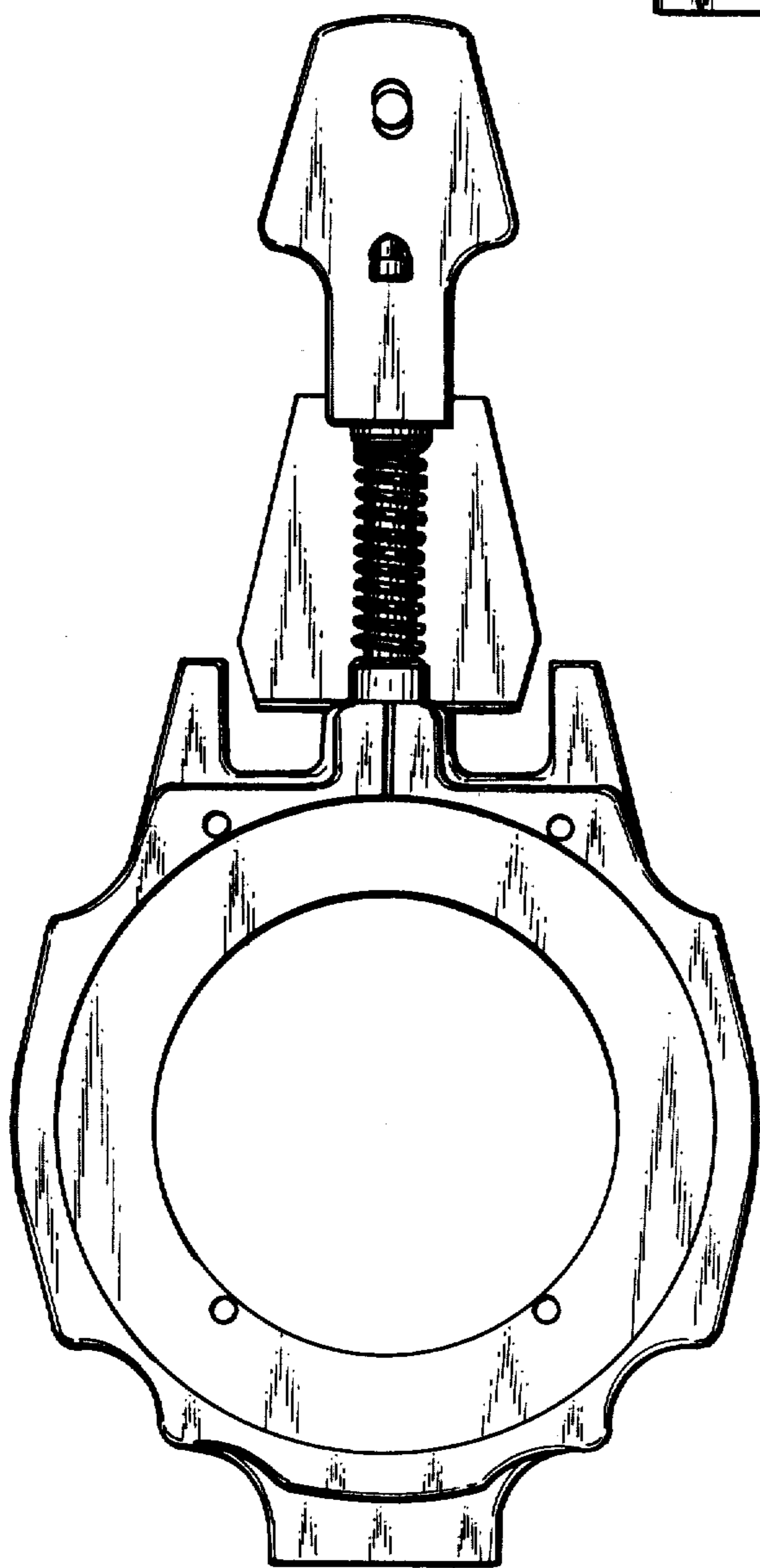


Fig. 3

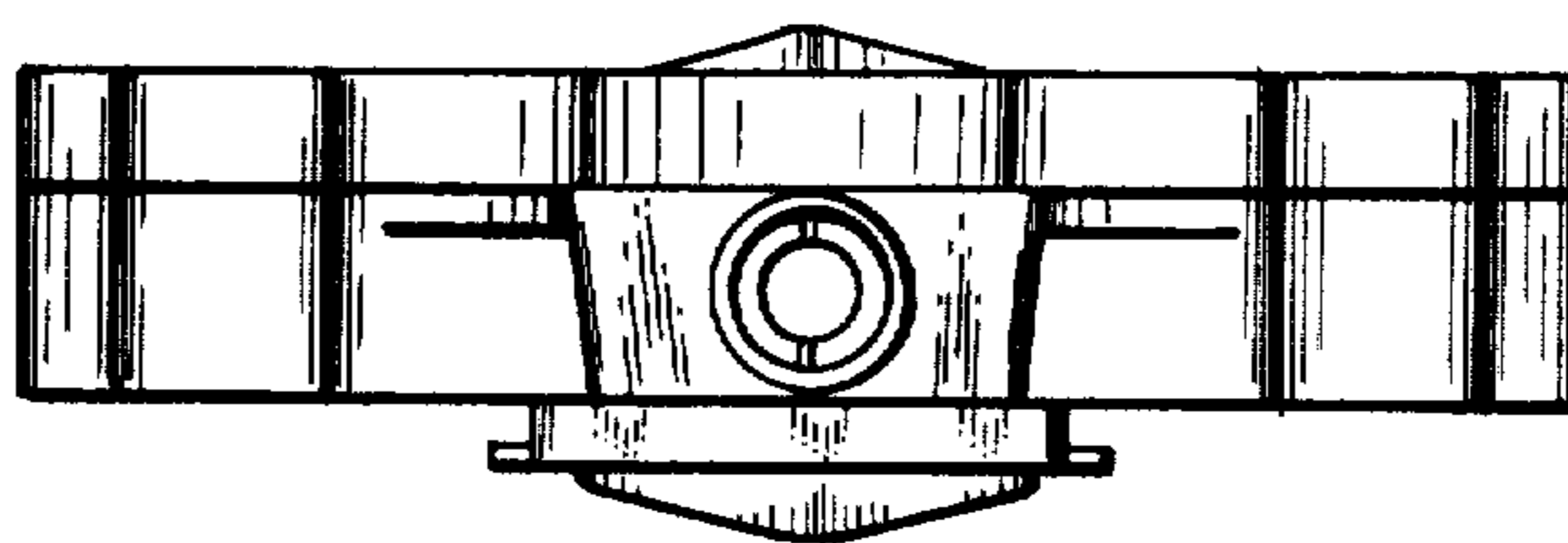


Fig. 4