

[54] ELECTRIC FOOD SLICER

[75] Inventor: Michio Fuse, Nagoya, Japan

[73] Assignee: Kabushikikaisha  
AichidenkikosaKusho, Japan

[\*\*] Term: 14 Years

[21] Appl. No.: 46,528

[22] Filed: Jun. 7, 1979

[30] Foreign Application Priority Data

Mar. 30, 1979 [JP] Japan ..... 54-13125

[51] Int. Cl. .... D15-08

[52] U.S. Cl. .... D15/97

[58] Field of Search ..... D15/97; 83/729, 717,  
83/719, 722, 730

[56] References Cited

U.S. PATENT DOCUMENTS

- D. 113,839 3/1939 Hand ..... D15/97
- D. 239,462 4/1976 Gourley ..... D15/97
- 1,698,869 1/1929 Wolff ..... 83/729
- 2,611,406 9/1952 Preble, Jr. .... 83/717

OTHER PUBLICATIONS

Housewares-Jan. 1978-p. 67-Bosch Electronic Slicer

by Magic Mill, p. 101-Brewmatic Electric Slicer and p. 119-Krups Electric Slicer Housewares-Apr. 27-28, 1978-p. 31-Braun Electric Slicer US-10.

Primary Examiner—Catherine E. Kemper  
Attorney, Agent, or Firm—William A. Drucker

[57] CLAIM

The ornamental design for an electric food slicer, as shown and described.

DESCRIPTION

FIG. 1 is a perspective view of an electric food slicer, showing my new design;  
 FIG. 2 is a front elevational view thereof;  
 FIG. 3 is a left side elevational view thereof;  
 FIG. 4 is a right side elevational view thereof;  
 FIG. 5 is a top plan view thereof;  
 FIG. 6 is a bottom plan view thereof;  
 FIG. 7 is a rear elevational view;  
 FIG. 8 is a bottom perspective view thereof with the bottom plate removed;  
 FIG. 9 is a rear perspective view thereof with some parts removed;  
 FIG. 10 is an exploded view of the device as shown in FIG. 1.

The conventional electric cord has been shown fragmentarily in all views in which it appears for ease of illustration.

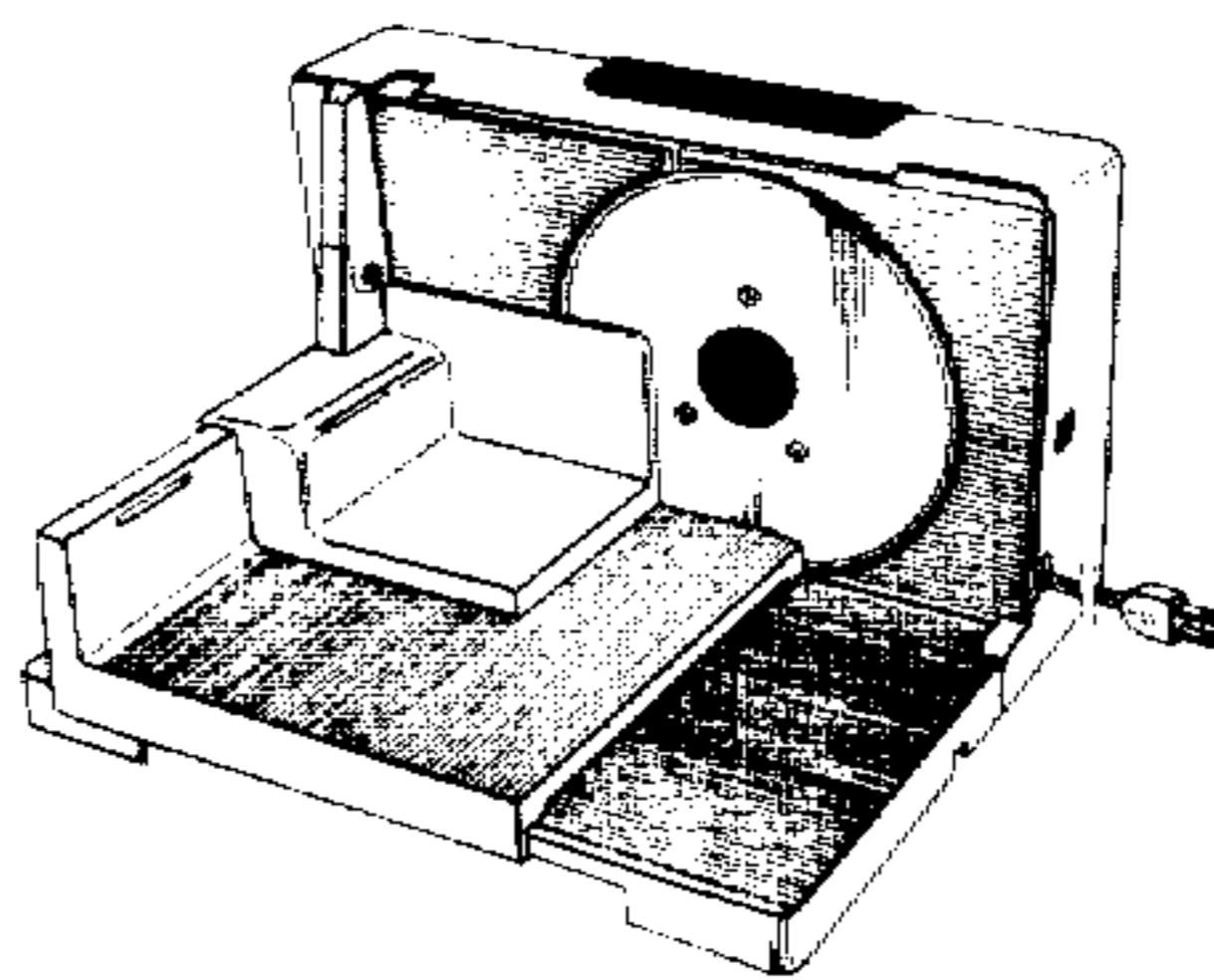


FIG. 1

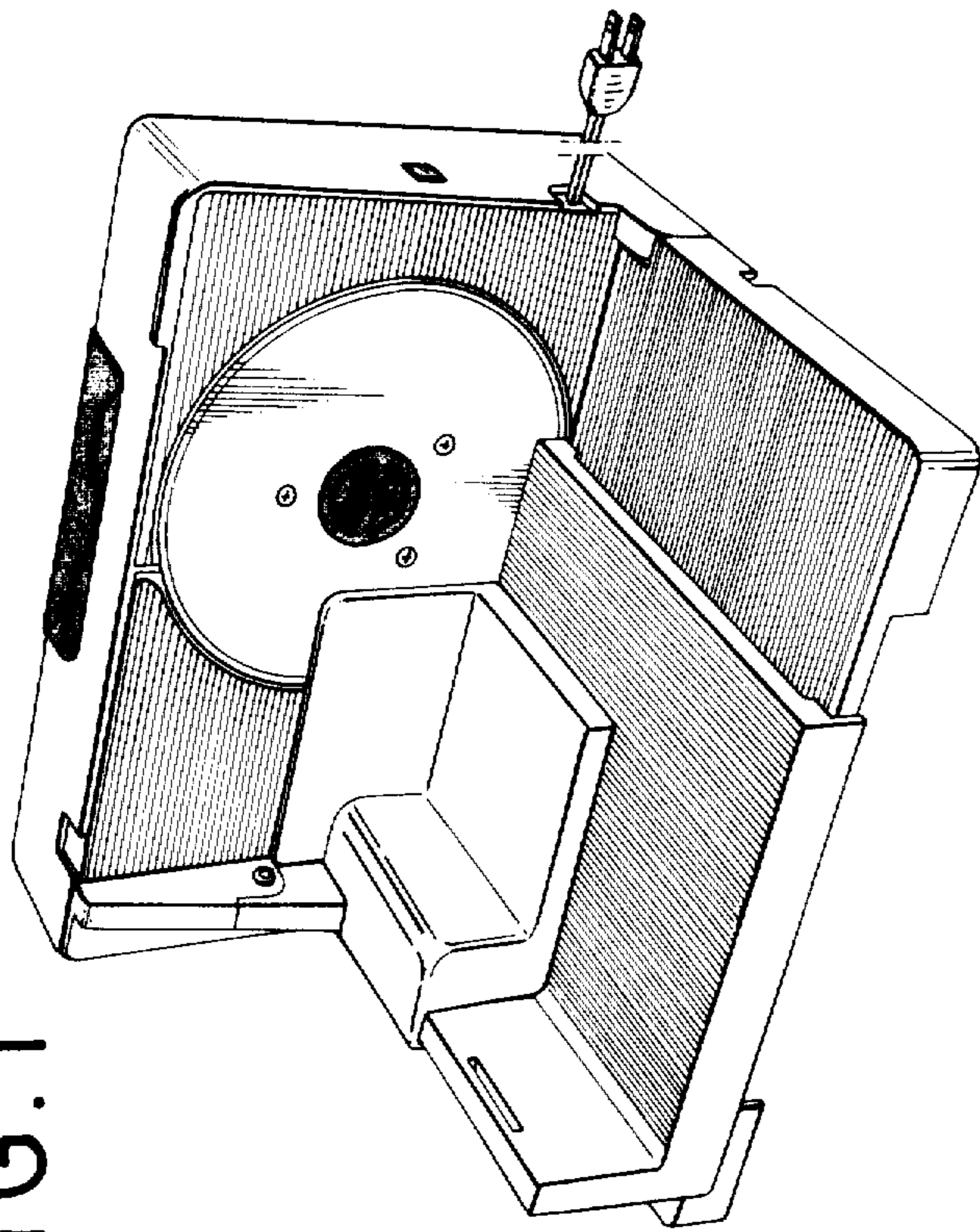


FIG. 2

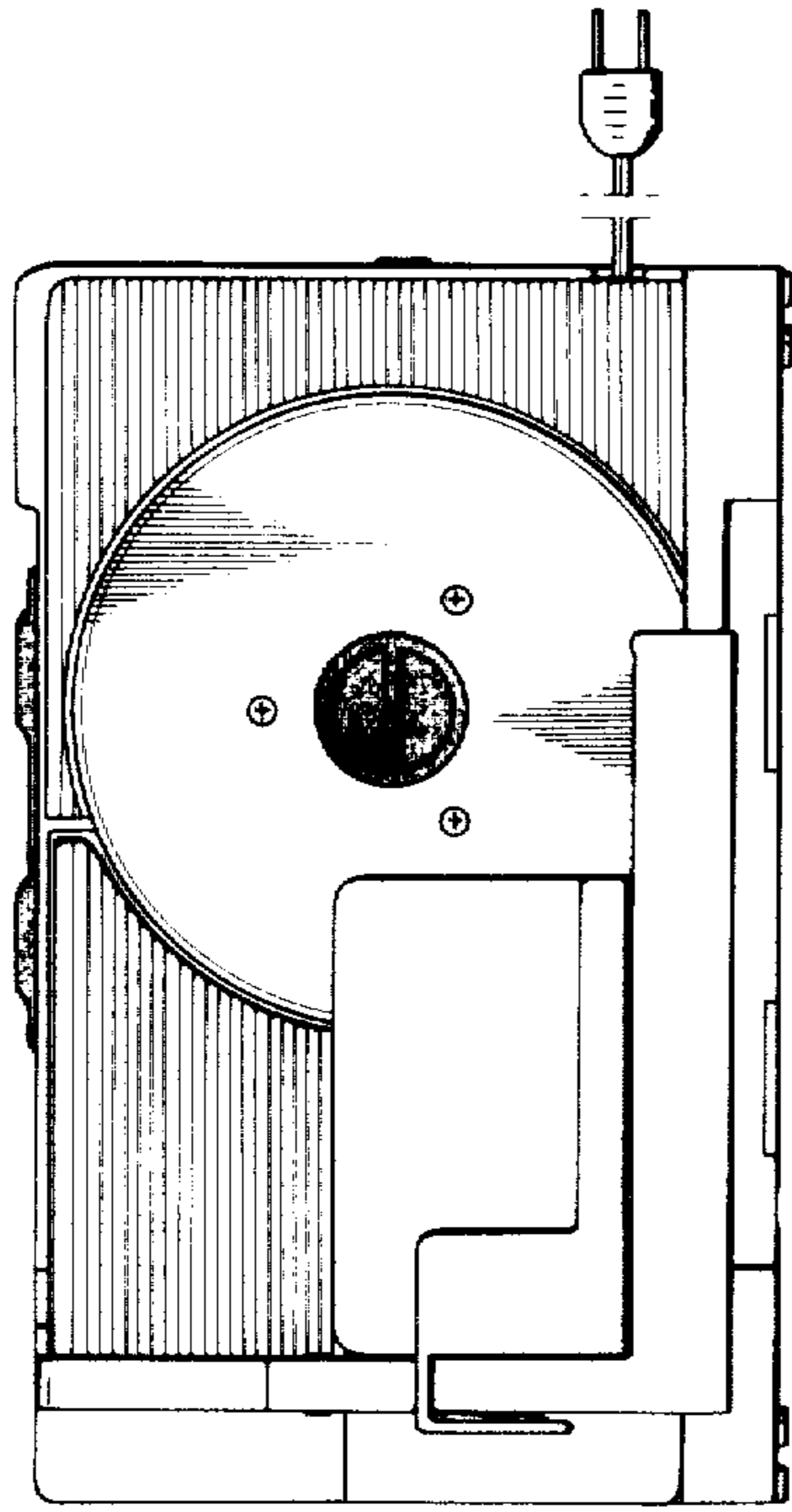


FIG. 3

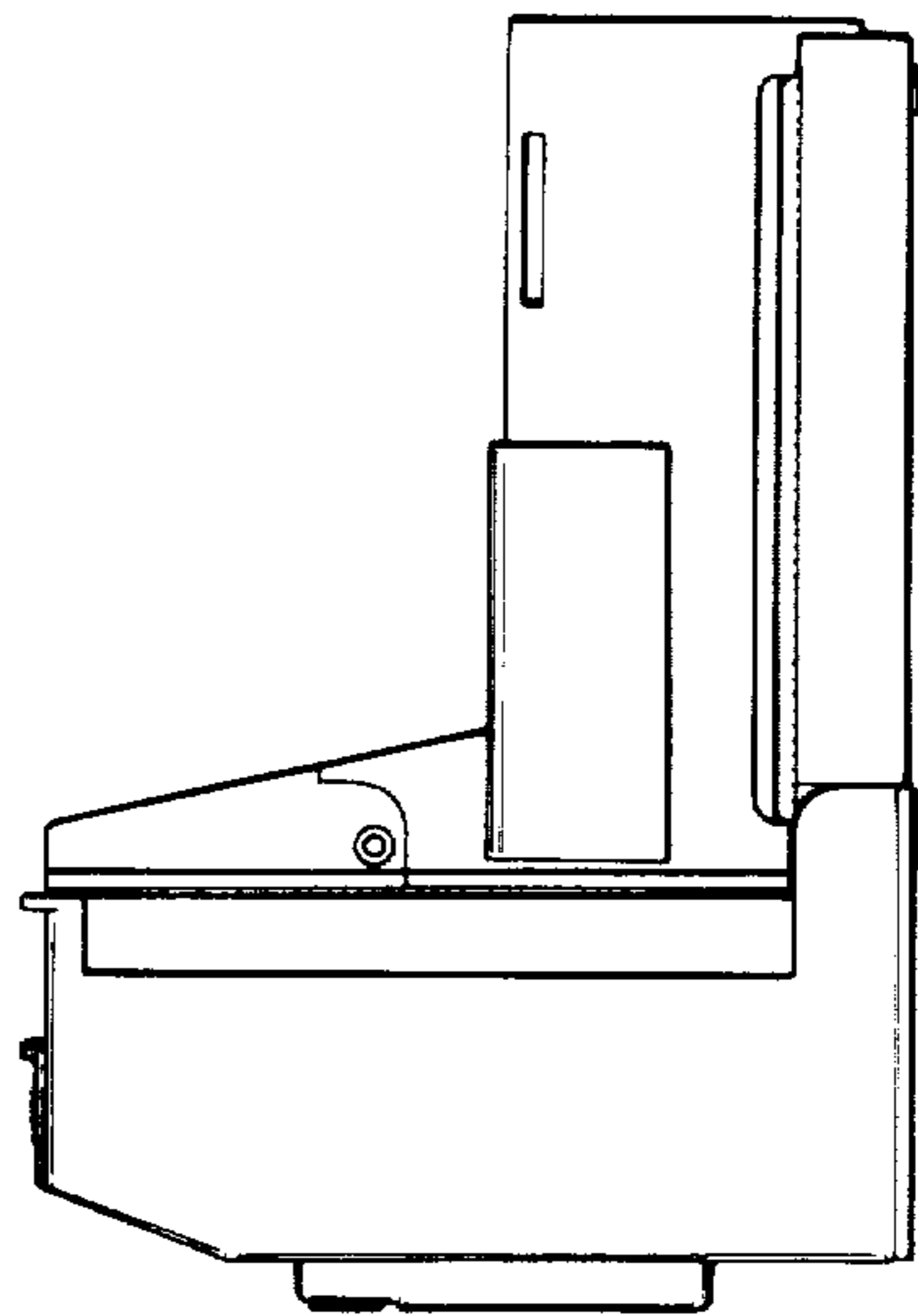


FIG. 4

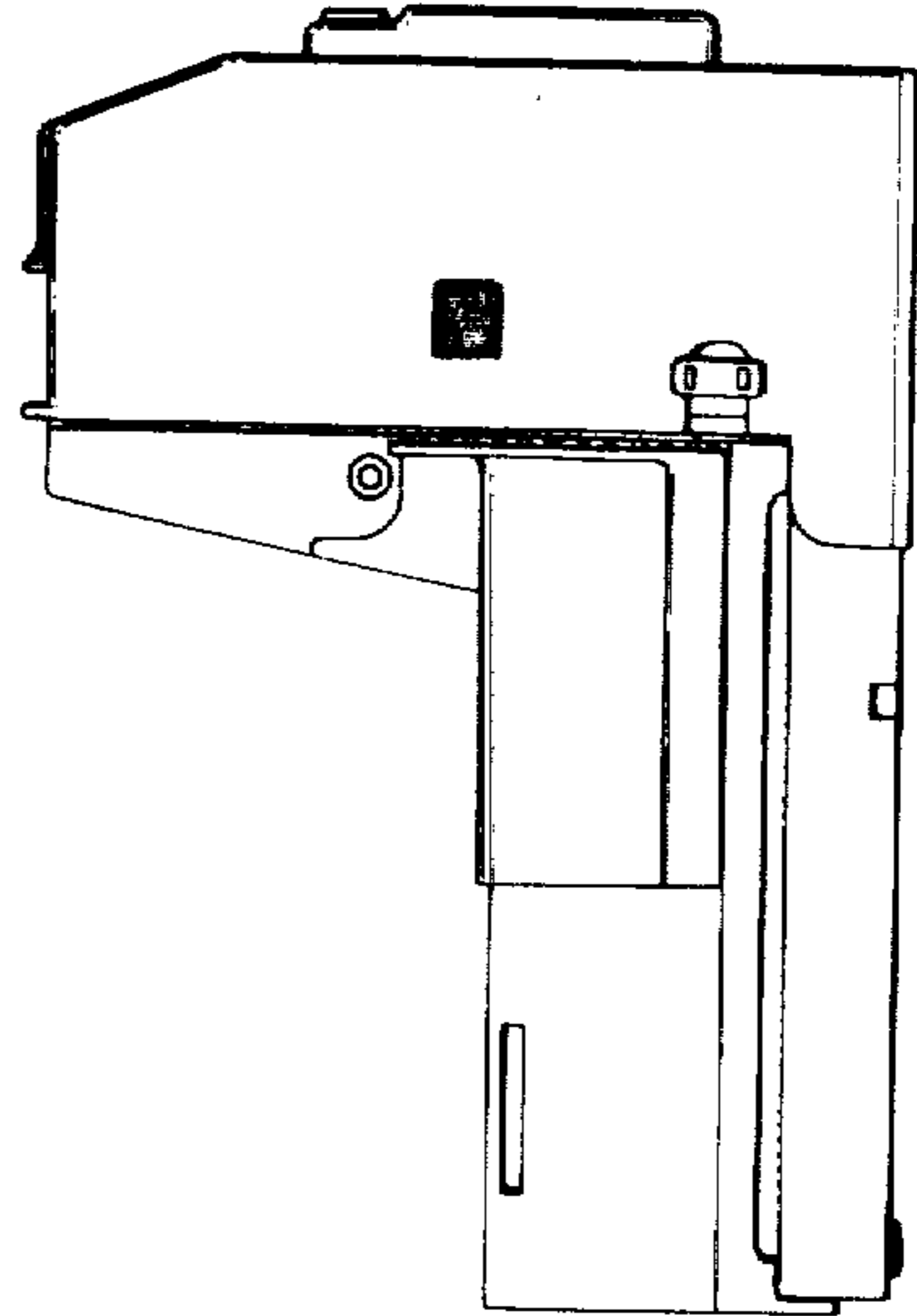


FIG. 6

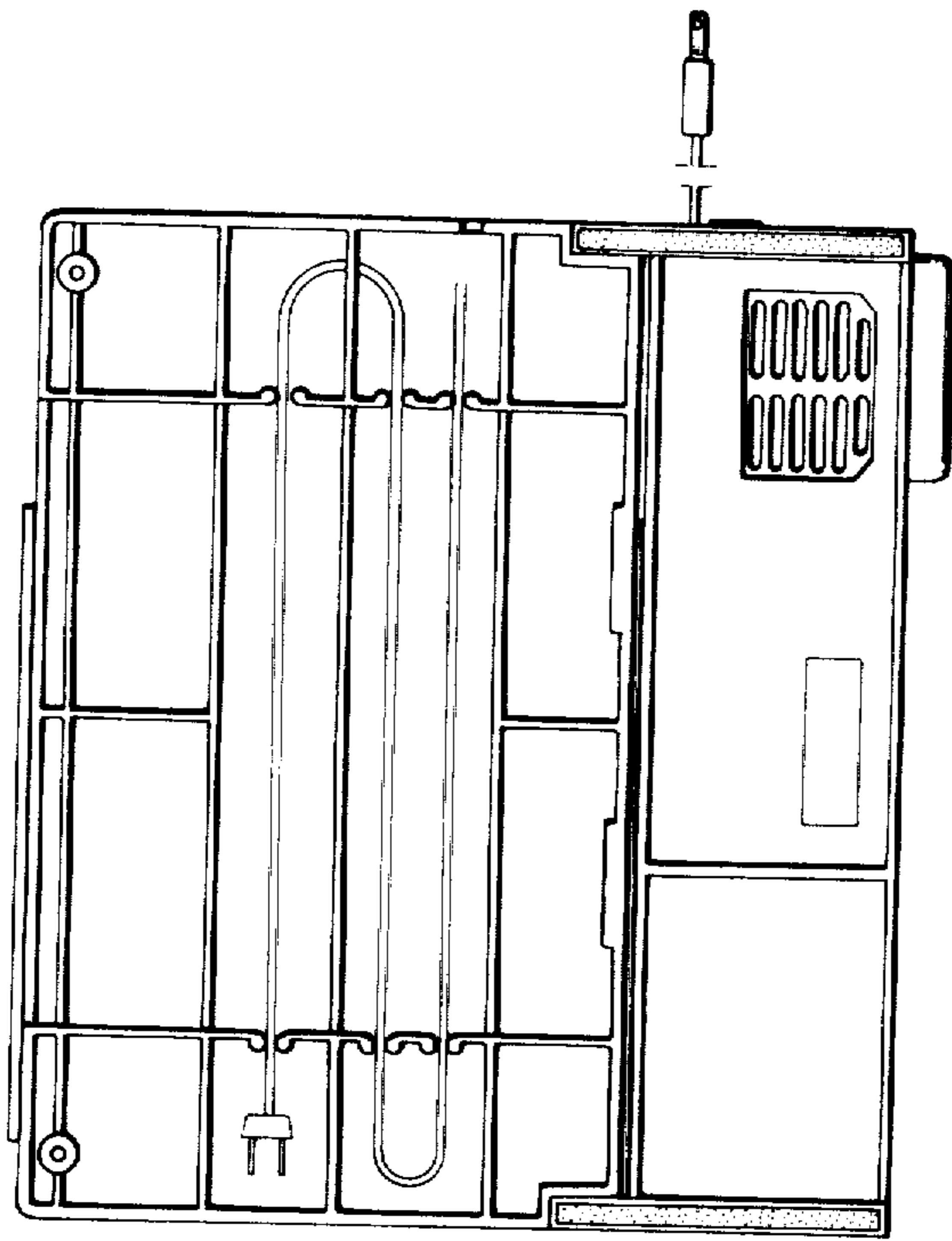


FIG. 8

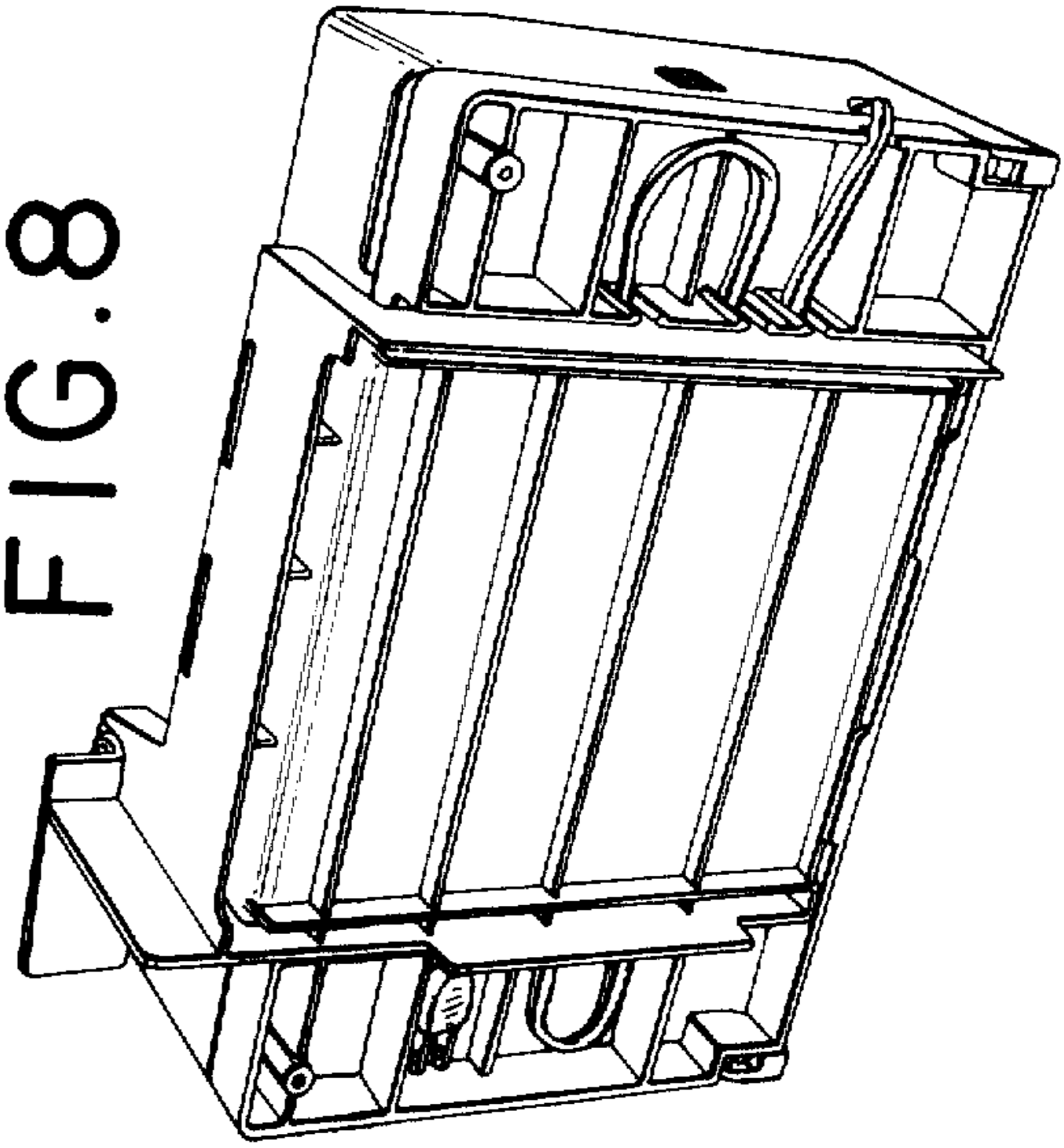


FIG. 5

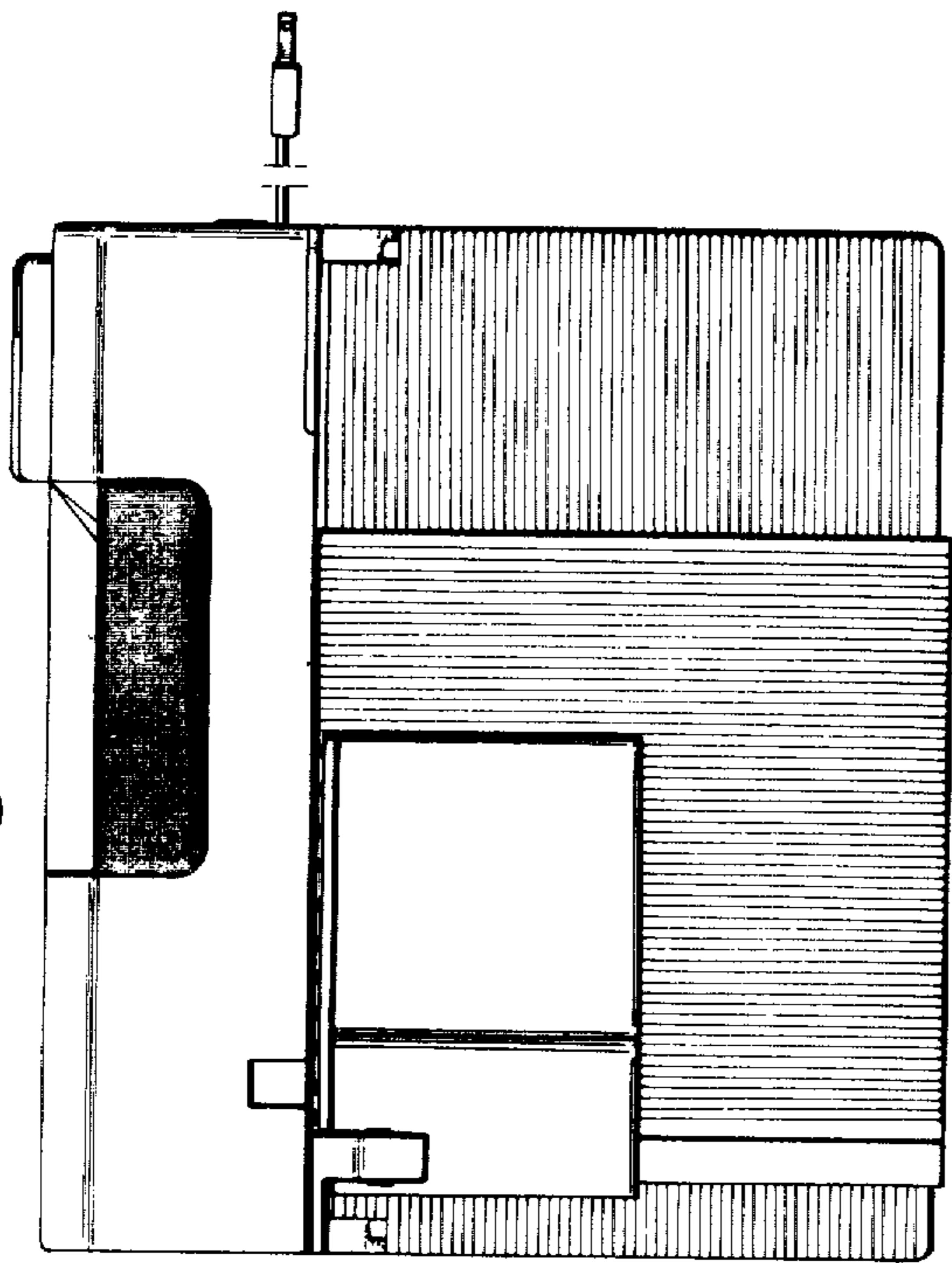


FIG. 7

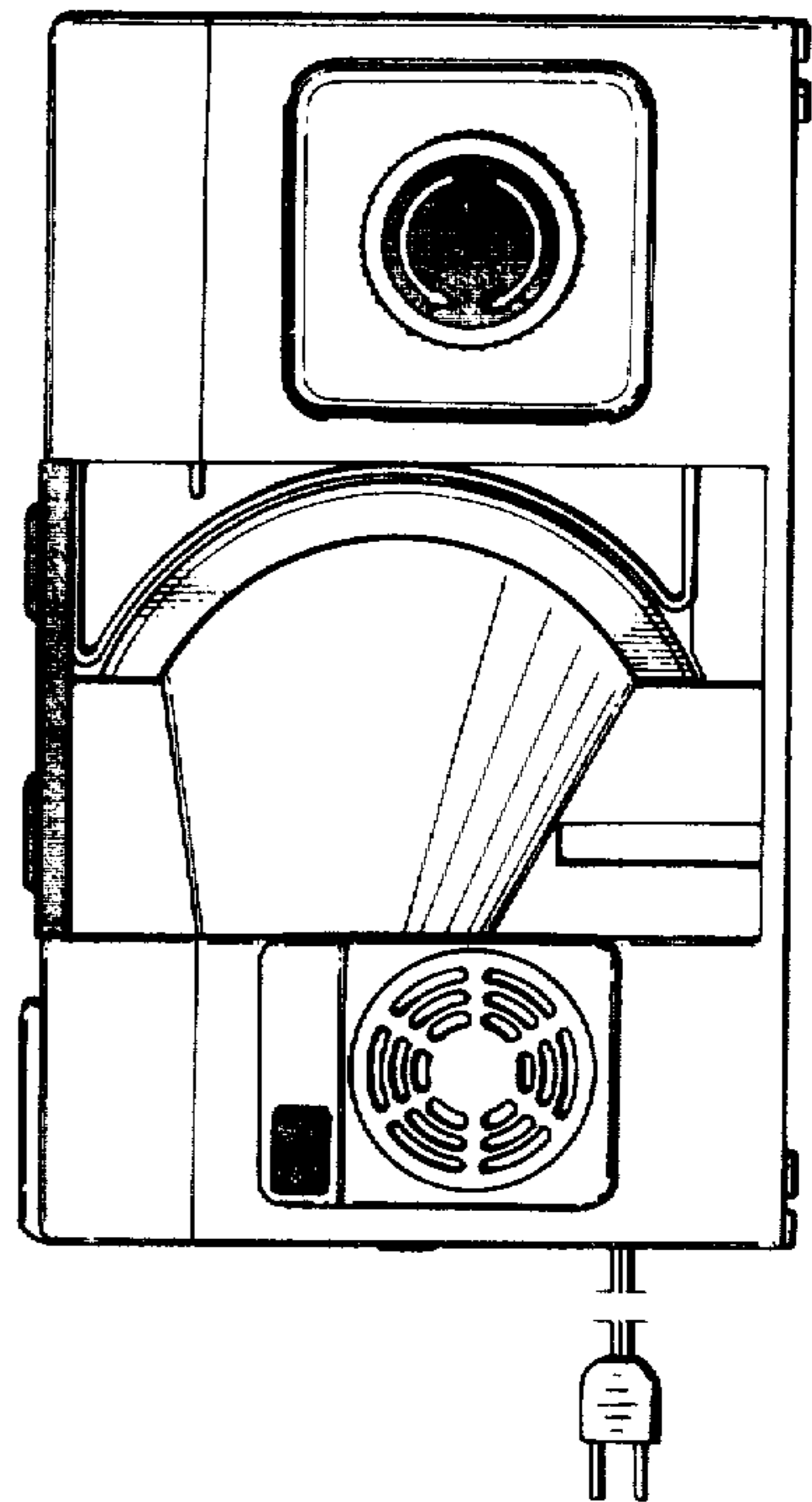


FIG. 9

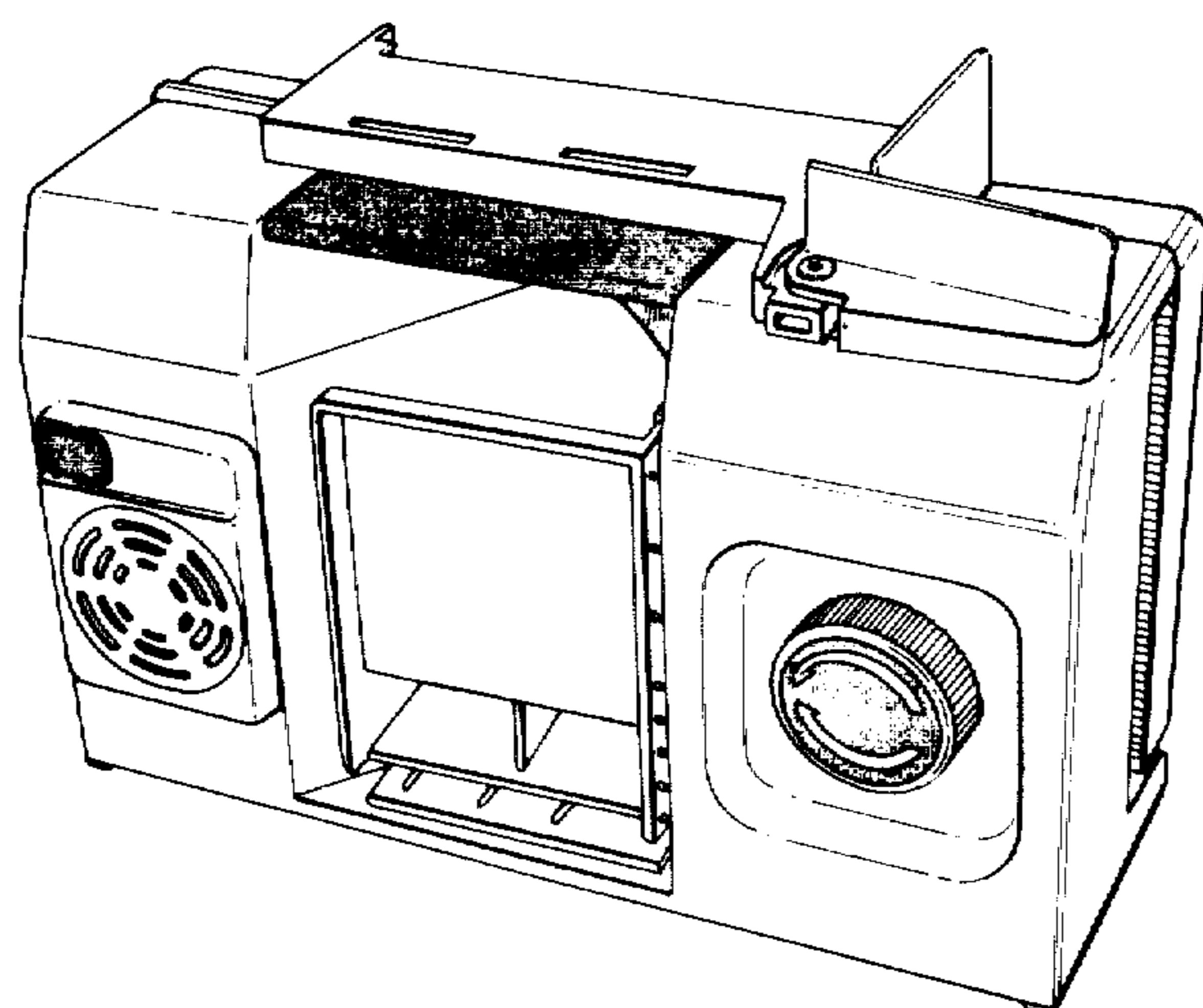


FIG. 10

