

[54] TELEPHONE

[76] Inventor: Jon Tyree, 208 Lugonia St.-Apartment A, Newport Beach, Calif. 92663

[**] Term: 14 Years

[21] Appl. No.: 171,664

[22] Filed: Jul. 24, 1980

[51] Int. Cl. D14-03

[52] U.S. Cl. D14/53; D21/110

[58] Field of Search D21/110; D14/53, 60, D14/69; 179/100 D, 100 R, 178, 179; D23/65

[56] References Cited

U.S. PATENT DOCUMENTS

- D. 247,175 2/1978 Oliney D14/69
- D. 248,556 7/1978 Thomas D14/53

- D. 255,238 6/1980 Thomas D23/65 X
- 4,087,650 5/1978 Tucker 179/100 D

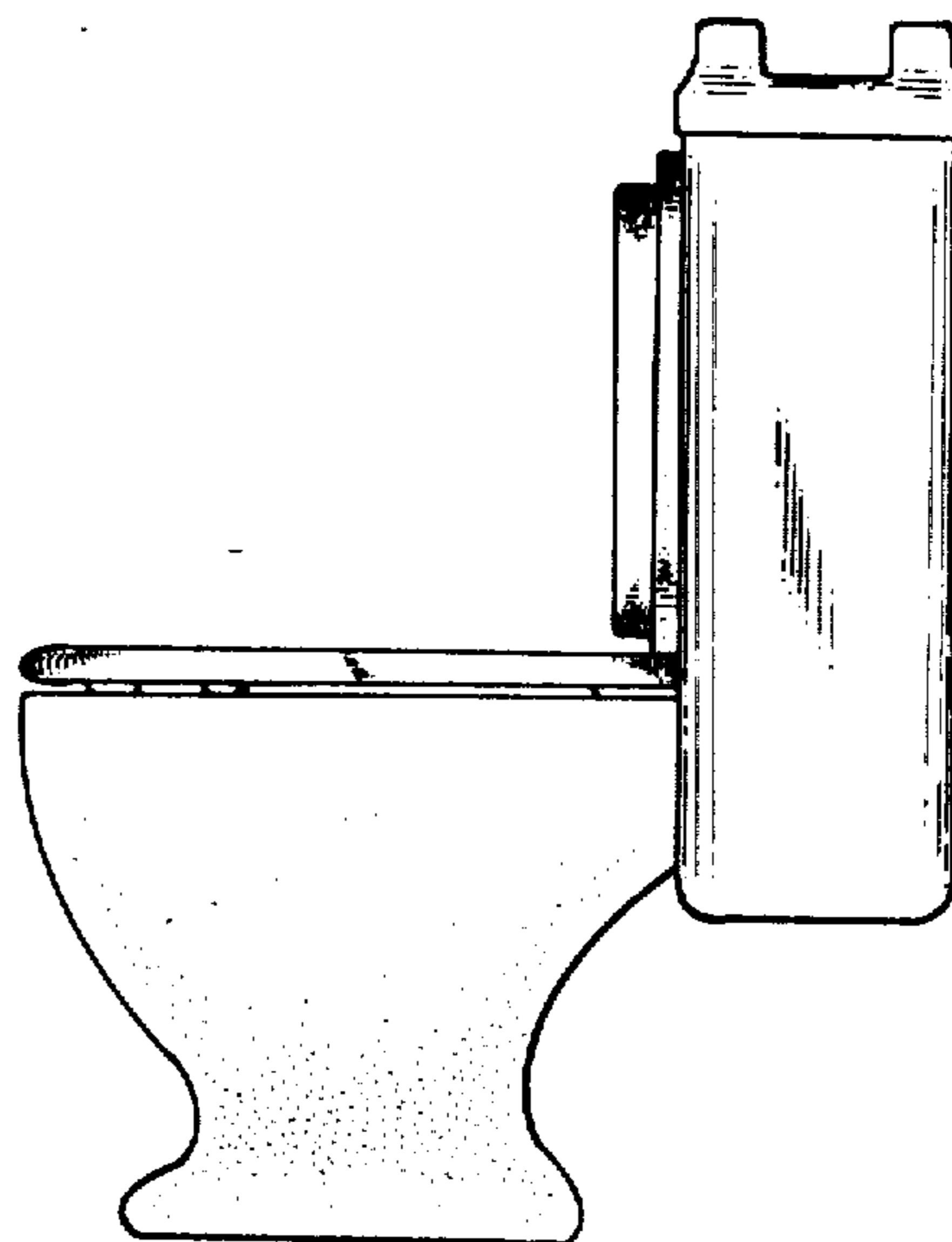
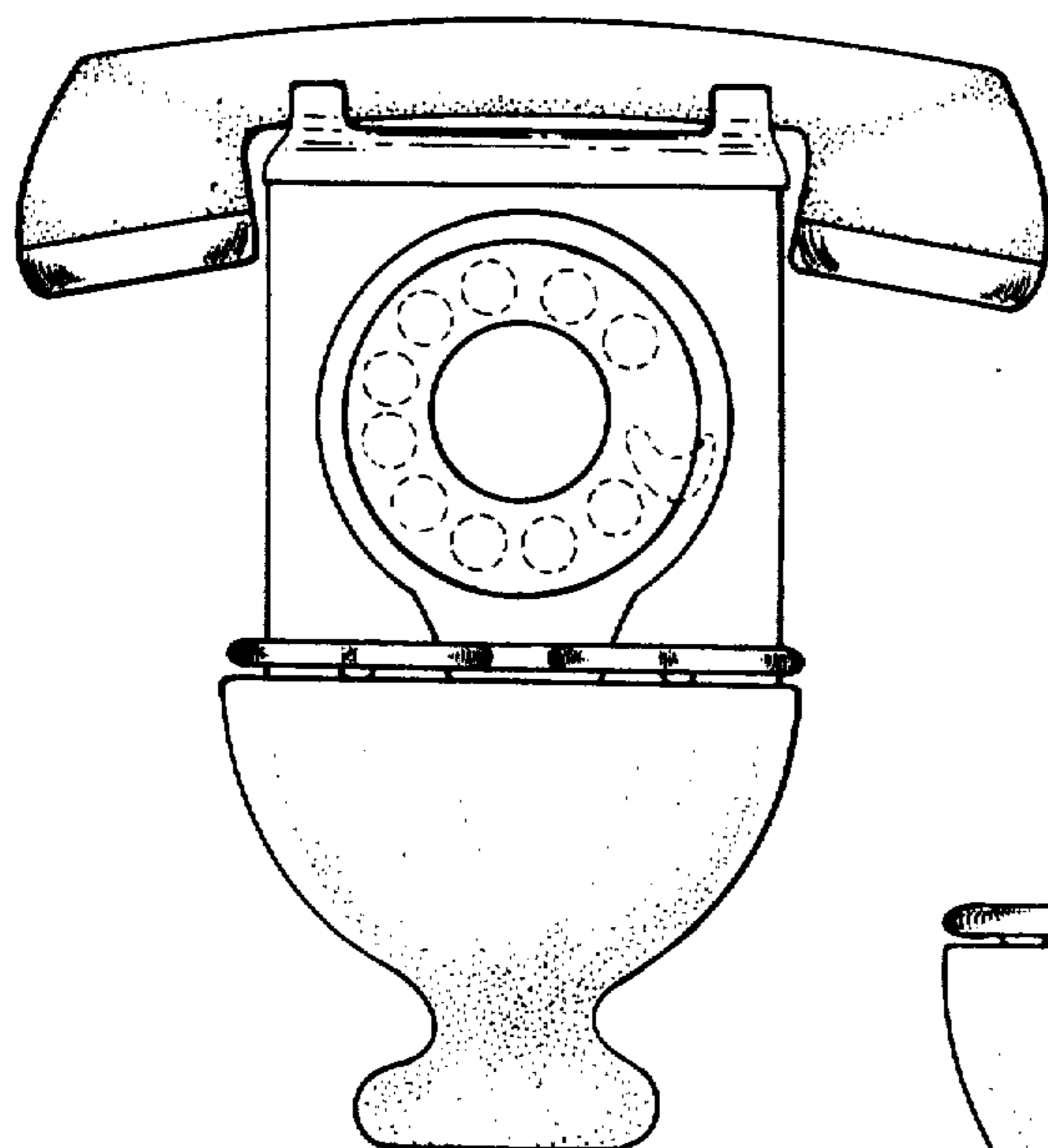
Primary Examiner—Bernard Ansher
Attorney, Agent, or Firm—Wagner & Bachand

[57] CLAIM

The ornamental design for a telephone, as shown and described.

DESCRIPTION

FIG. 1 is a front elevational view of a telephone showing my new design;
 FIG. 2 is a side elevational view thereof, the opposite side being a mirror image thereof;
 FIG. 3 is a top plan view thereof;
 FIG. 4 is a bottom plan view thereof; and
 FIG. 5 is a rear view thereof;
 The broken lines are shown for illustrative purposes only.



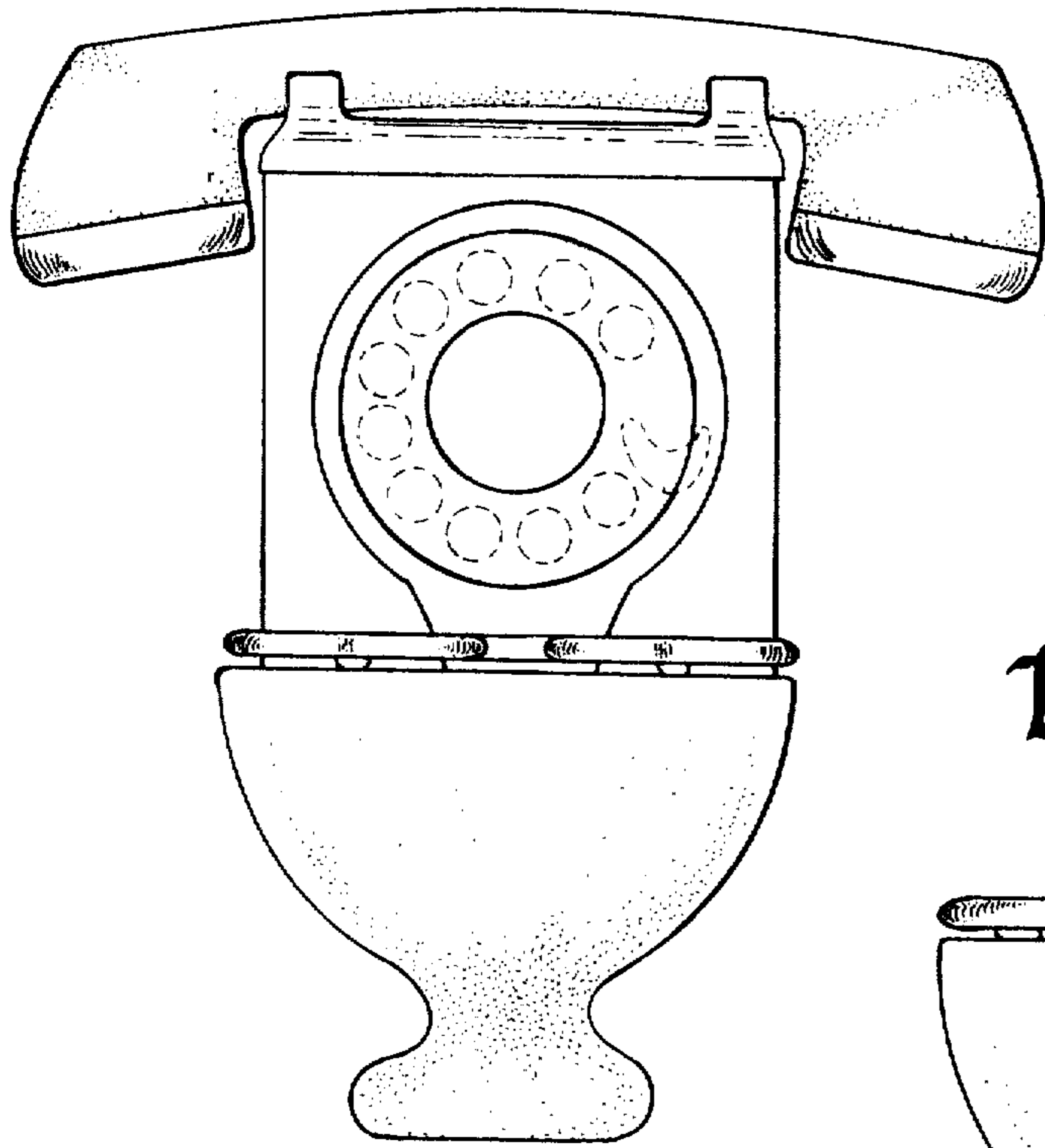


Fig. 1

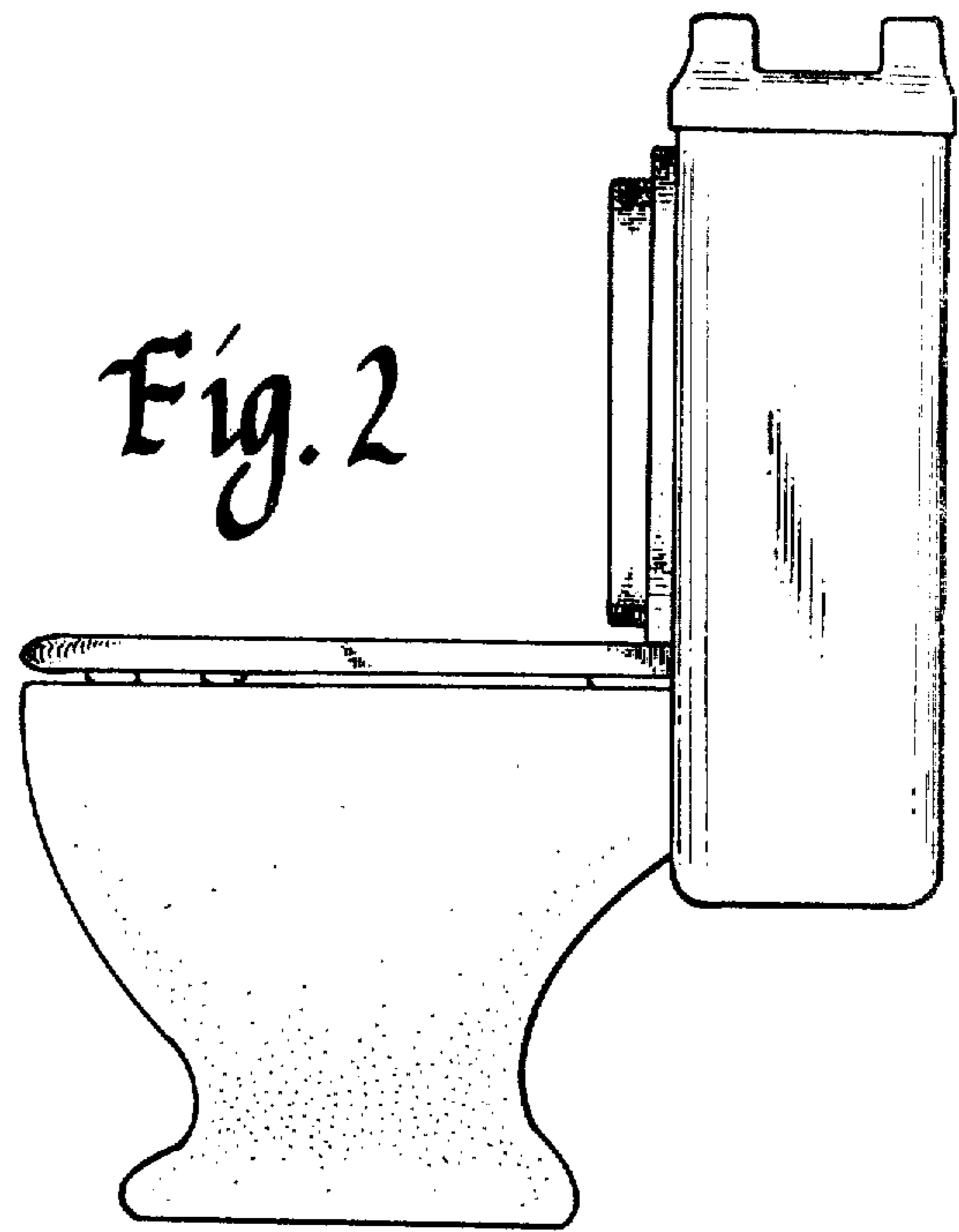


Fig. 2

Fig. 3

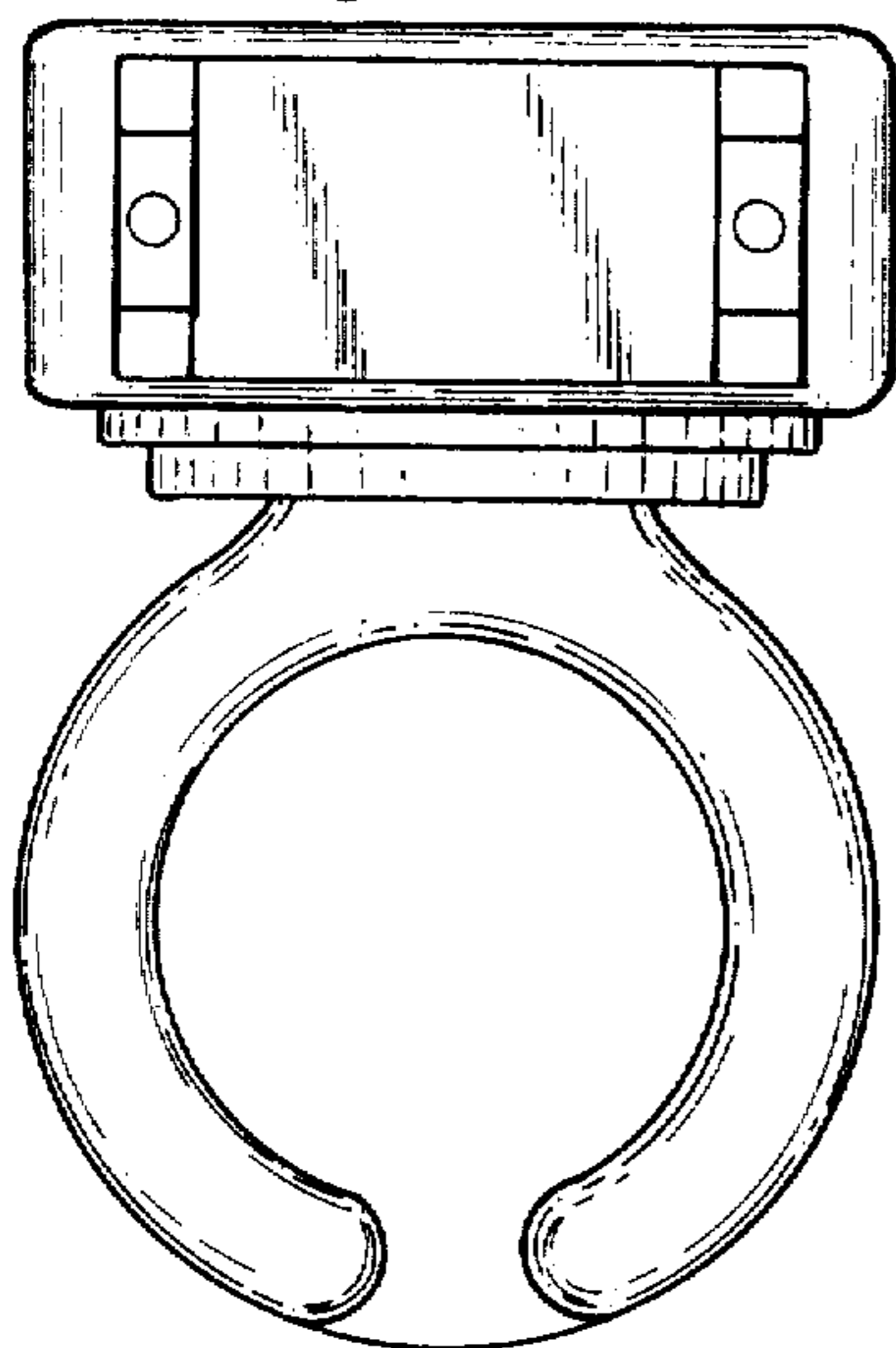


Fig. 4

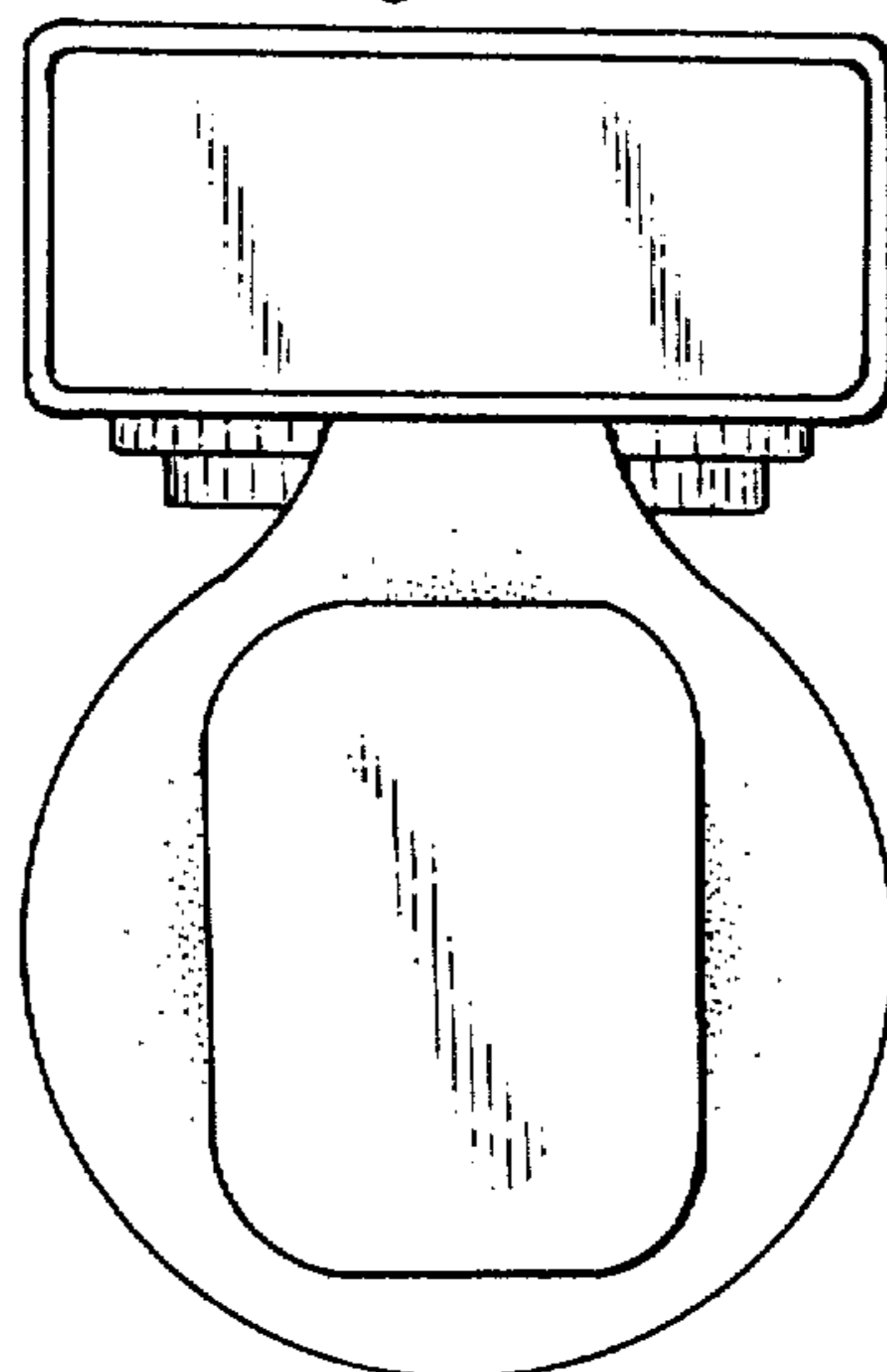


Fig. 6

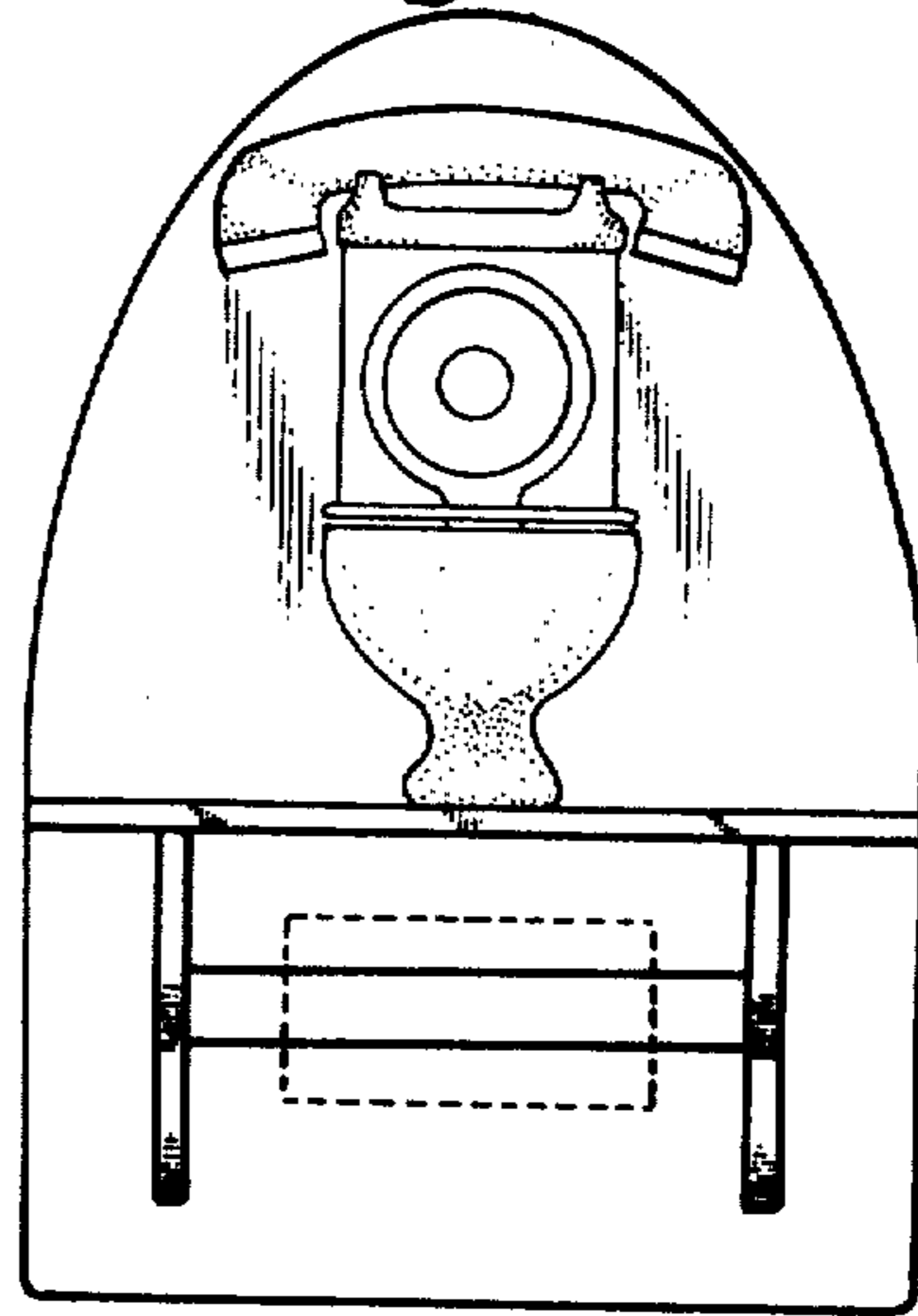


Fig. 7

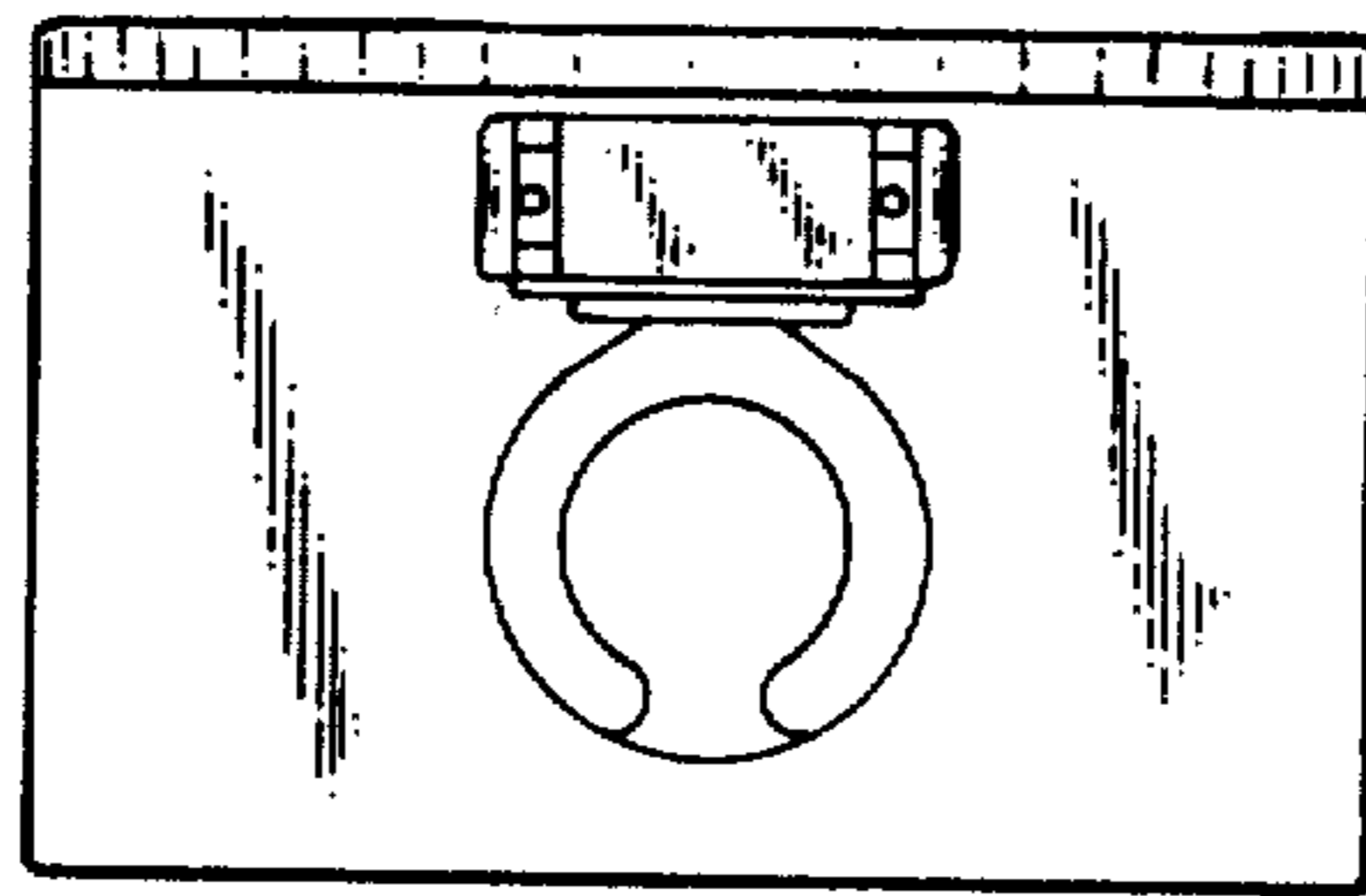
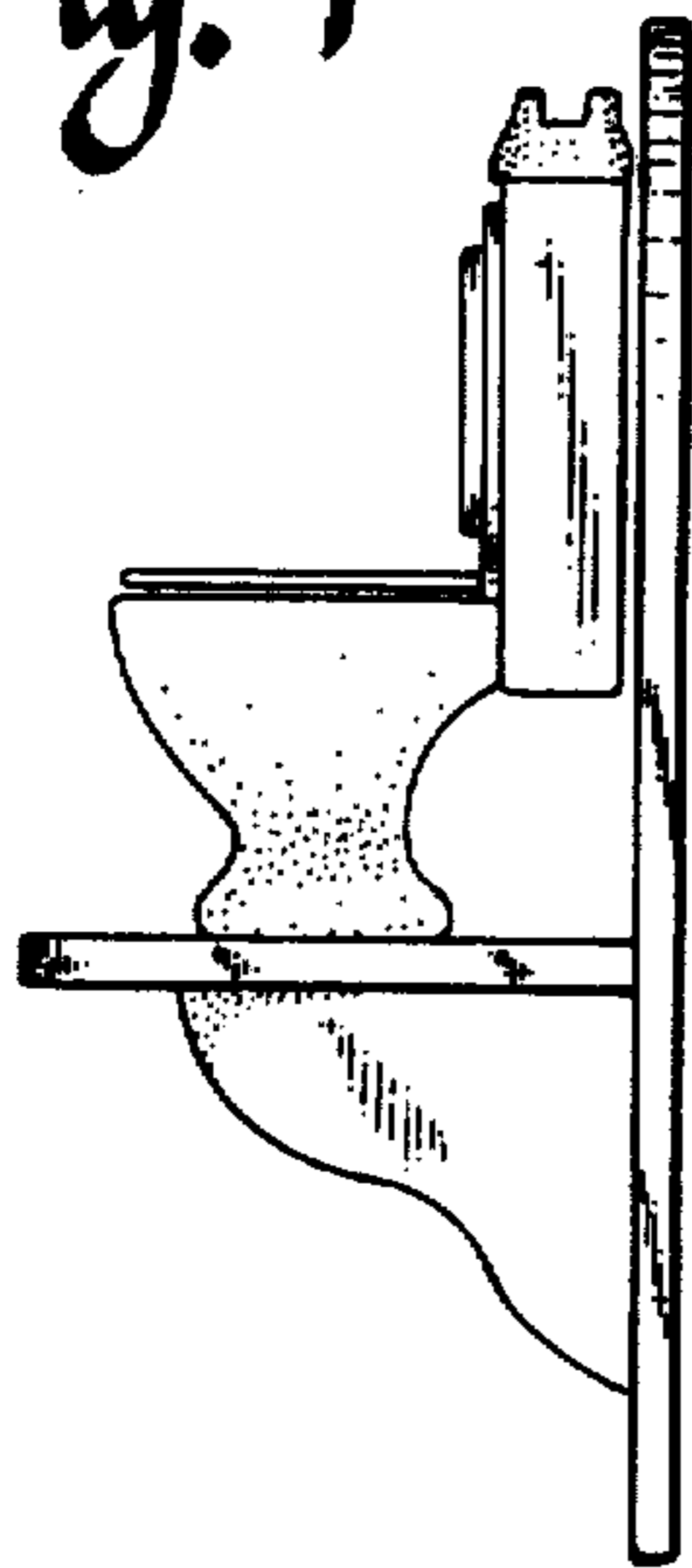


Fig. 8

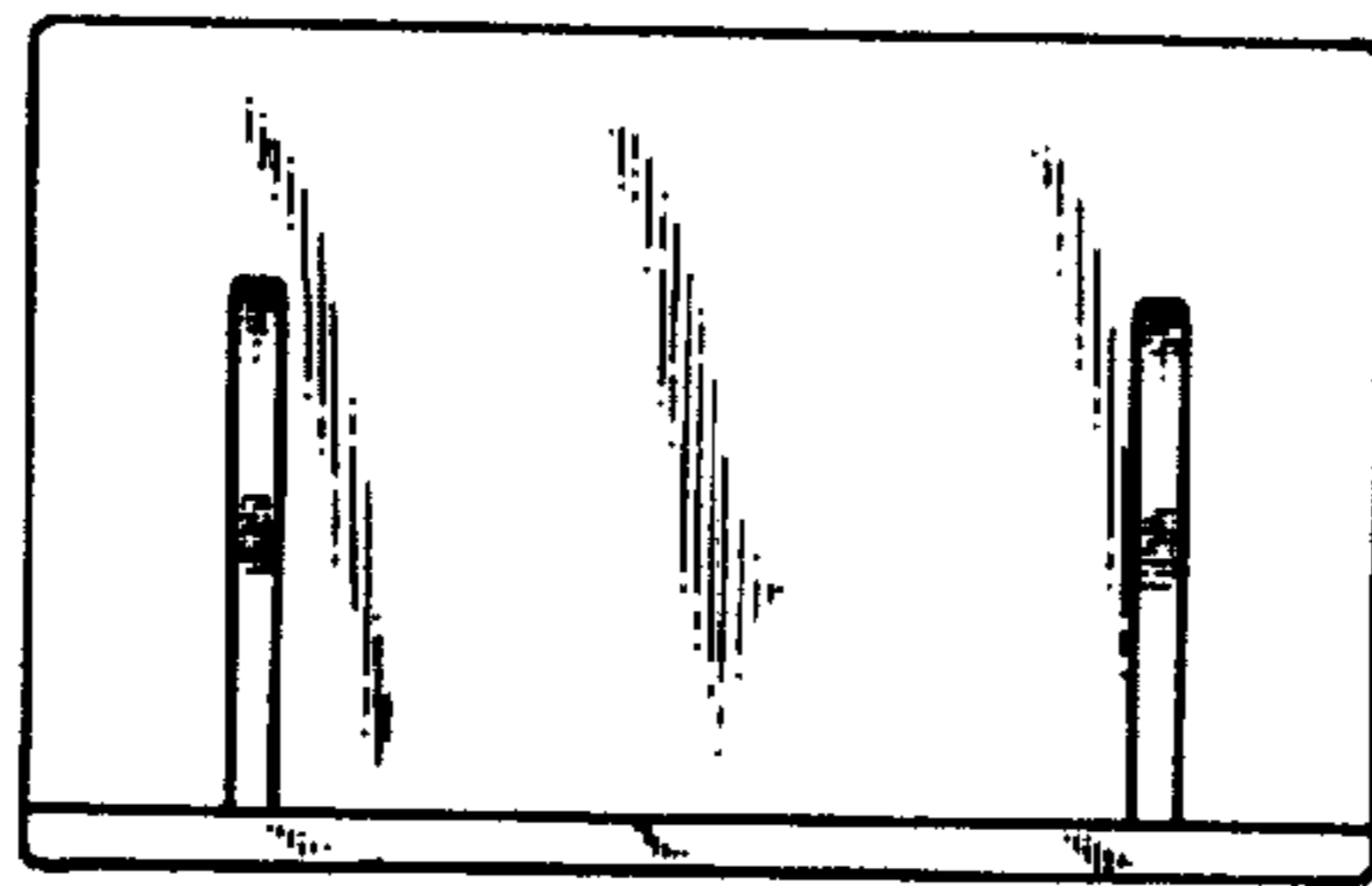


Fig. 9

Fig. 10

