

[54] **RADIATOR FOR AN RF LINE  
TERMINATION**

[75] **Inventor:** Leo Lesyk, Walton Hills, Ohio

[73] **Assignee:** Bird Electronic Corporation, Solon,  
Ohio

[\*\*] **Term:** 14 Years

[21] **Appl. No.:** 103,076

[22] **Filed:** Dec. 12, 1979

[51] **Int. Cl.** ..... D13-02

[52] **U.S. Cl.** ..... D13/4

[58] **Field of Search** ..... D13/4, 11, 12, 40, 41;  
165/104.19, 104.28; 333/22 R, 22 F, 81 A;  
338/51

[56] **References Cited**  
**U.S. PATENT DOCUMENTS**

2,958,830	11/1960	Bird et al. ....	333/22 R
3,312,926	4/1967	Stevens .....	333/22 R
4,147,207	4/1979	Lesyk .....	333/22 R

*Primary Examiner*—Peter M. Caun  
*Attorney, Agent, or Firm*—Pearne, Gordon, Sessions,  
McCoy & Granger

[57] **CLAIM**

The ornamental design for a radiator for an RF line termination, substantially as shown and described.

**DESCRIPTION**

FIG. 1 is a perspective view of a radiator for an RF line termination, showing my new design.

FIG. 2 is a plan view thereof.

FIG. 3 is a side elevation thereof.

FIG. 4 is an end elevation thereof taken from the line 4-4 of FIG. 3, and

FIG. 5 is a sectional view thereof taken from the line 5-5 of FIG. 3.

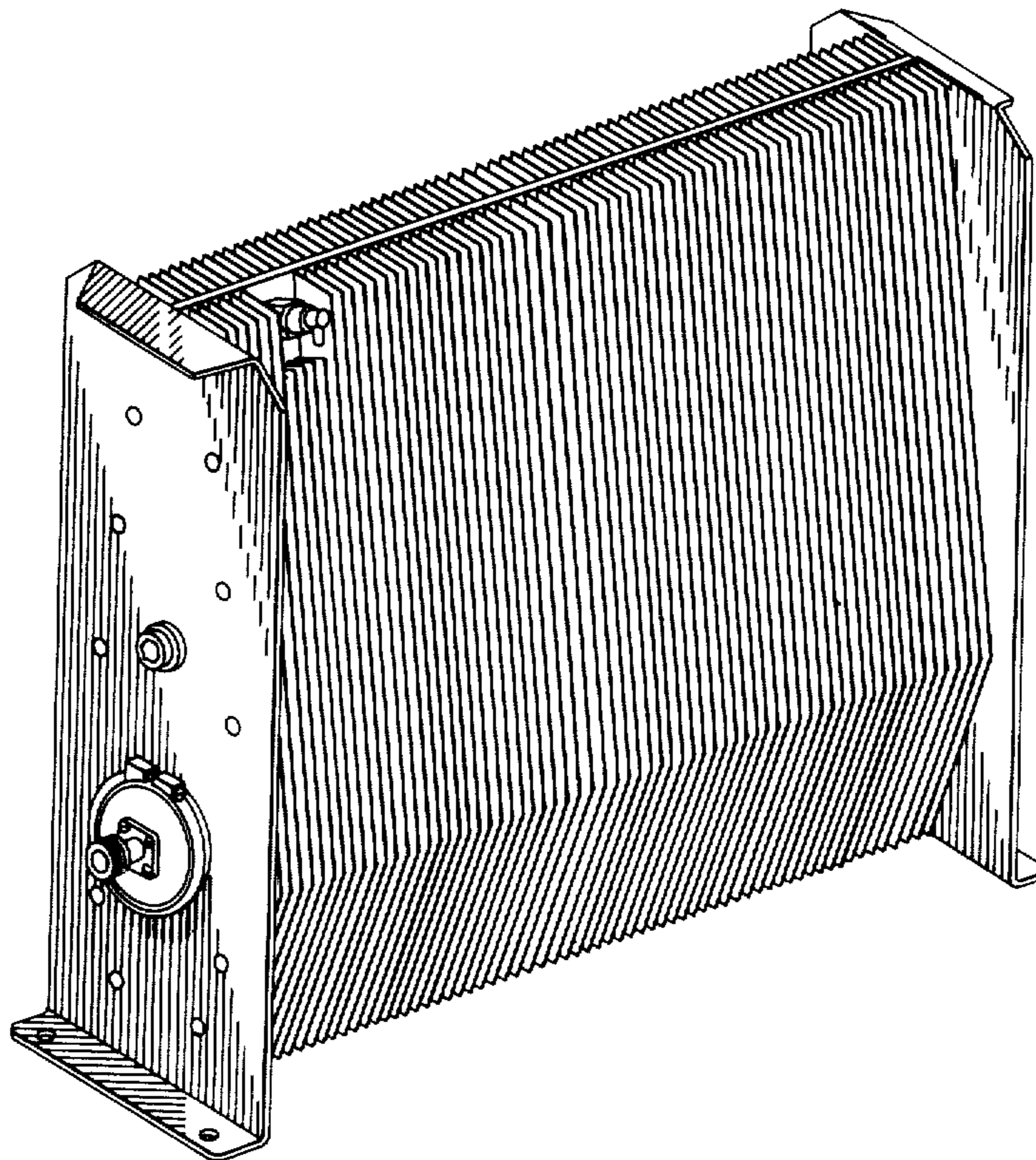


FIG. 1

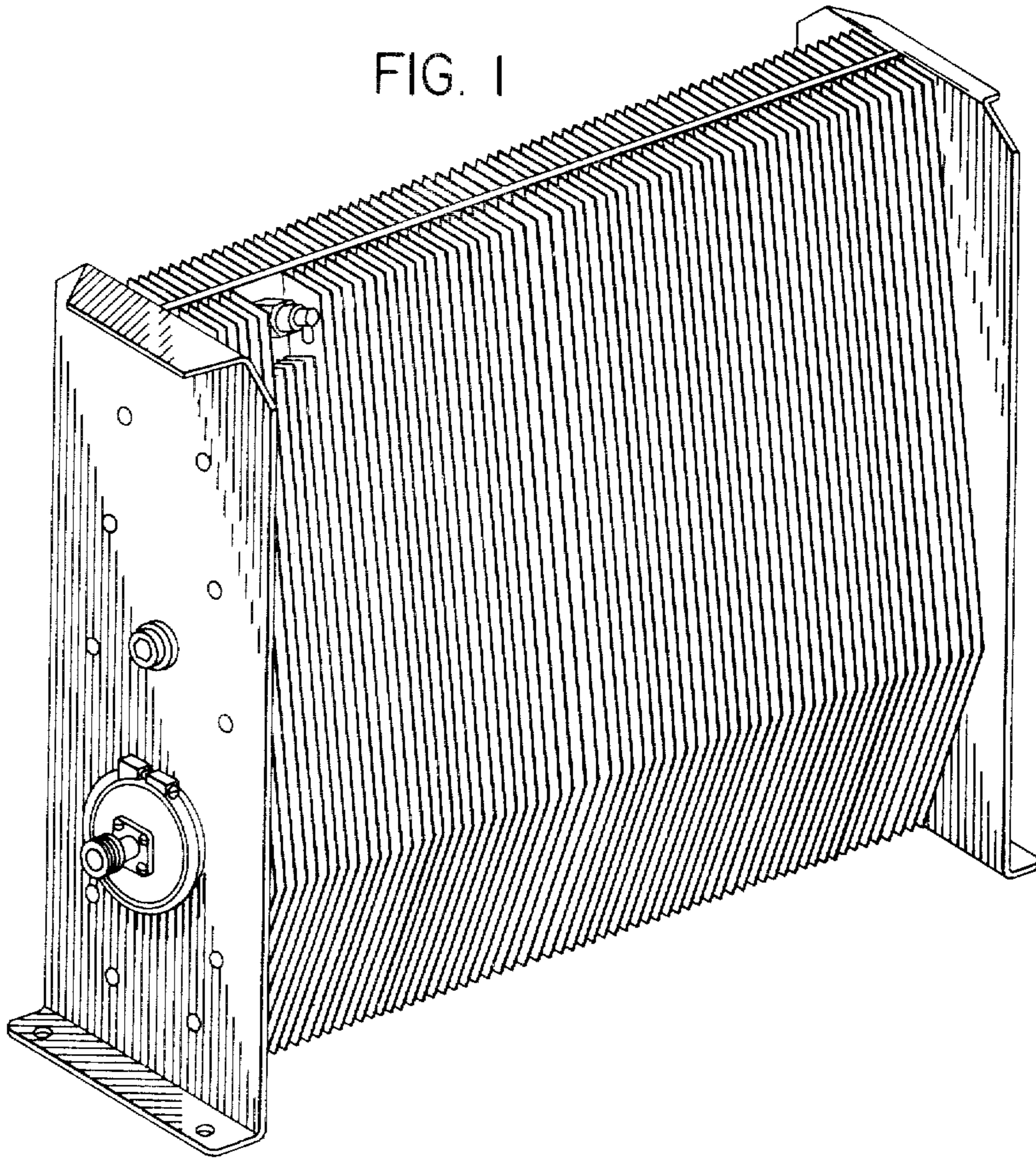


FIG. 2

