

[54] RADIATOR FOR RF LINE TERMINATION

[75] Inventor: Leo Lesyk, Walton Hills, Ohio

[73] Assignee: Bird Electronic Corporation, Solon, Ohio

[**] Term: 14 Years

[21] Appl. No.: 103,075

[22] Filed: Dec. 12, 1979

[51] Int. Cl. D13-02

[52] U.S. Cl. D13/4

[58] Field of Search D13/4, 11, 12, 40, 41; 165/104.19, 104.28; 333/22 R, 22 F, 81 A; 338/51

[56] References Cited

U.S. PATENT DOCUMENTS

2,958,830	11/1960	Bird et al.	333/22 R
3,312,926	4/1967	Stevens	333/22 R
4,147,207	4/1979	Lesyk	333/22 R

Primary Examiner—Peter M. Caun
Attorney, Agent, or Firm—Pearne, Gordon, Sessions, McCoy & Granger

[57] CLAIM

The ornamental design for a radiator for an RF line termination, substantially as shown and described.

DESCRIPTION

FIG. 1 is a perspective view of a radiator for an RF line termination, showing my new design.

FIG. 2 is a plan view thereof.

FIG. 3 is a side elevation thereof.

FIG. 4 is an end elevation thereof taken from the line 4-4 of FIG. 3, and

FIG. 5 is a sectional view thereof taken from the line 5-5 of FIG. 3.

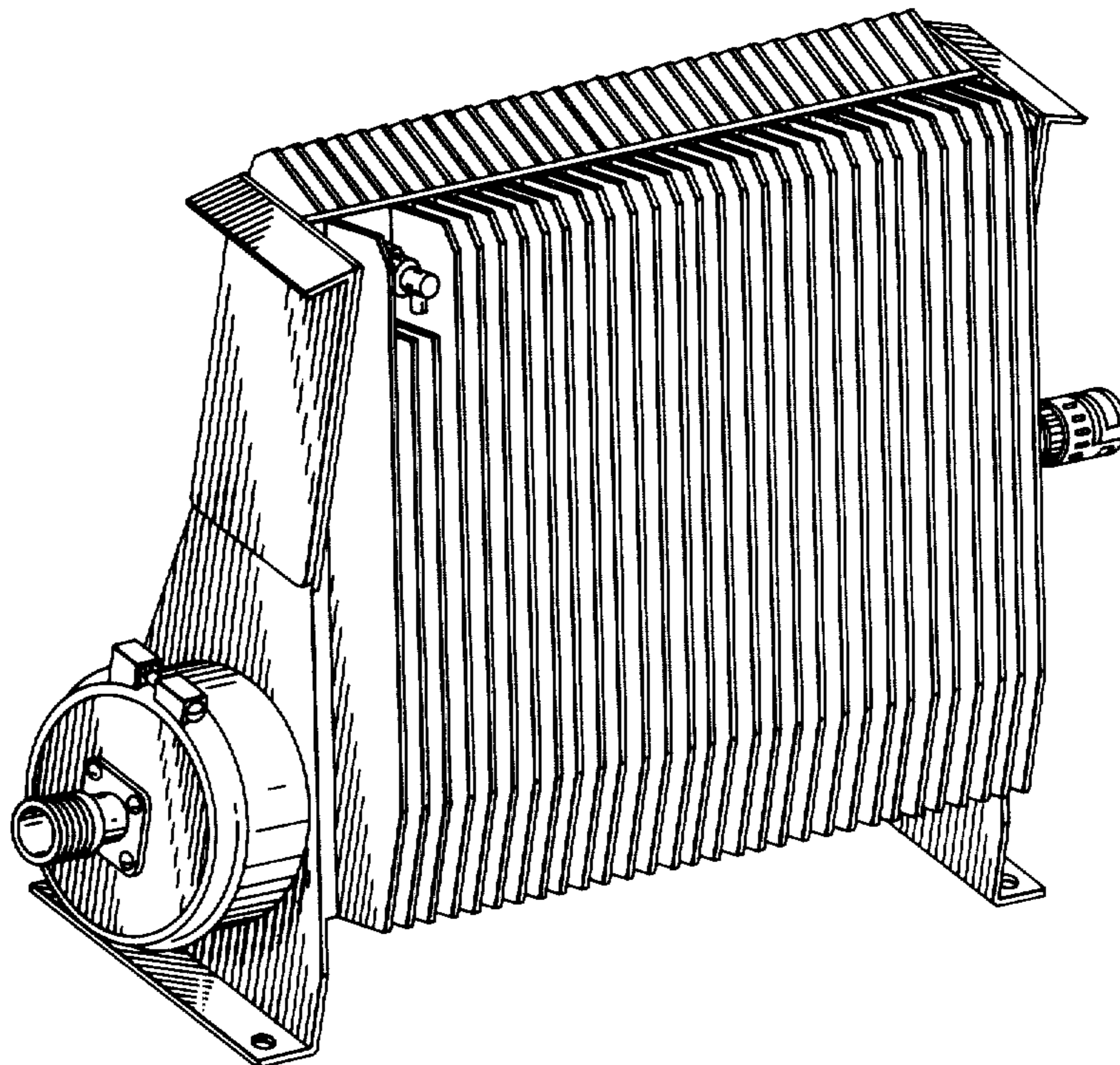


FIG. 1

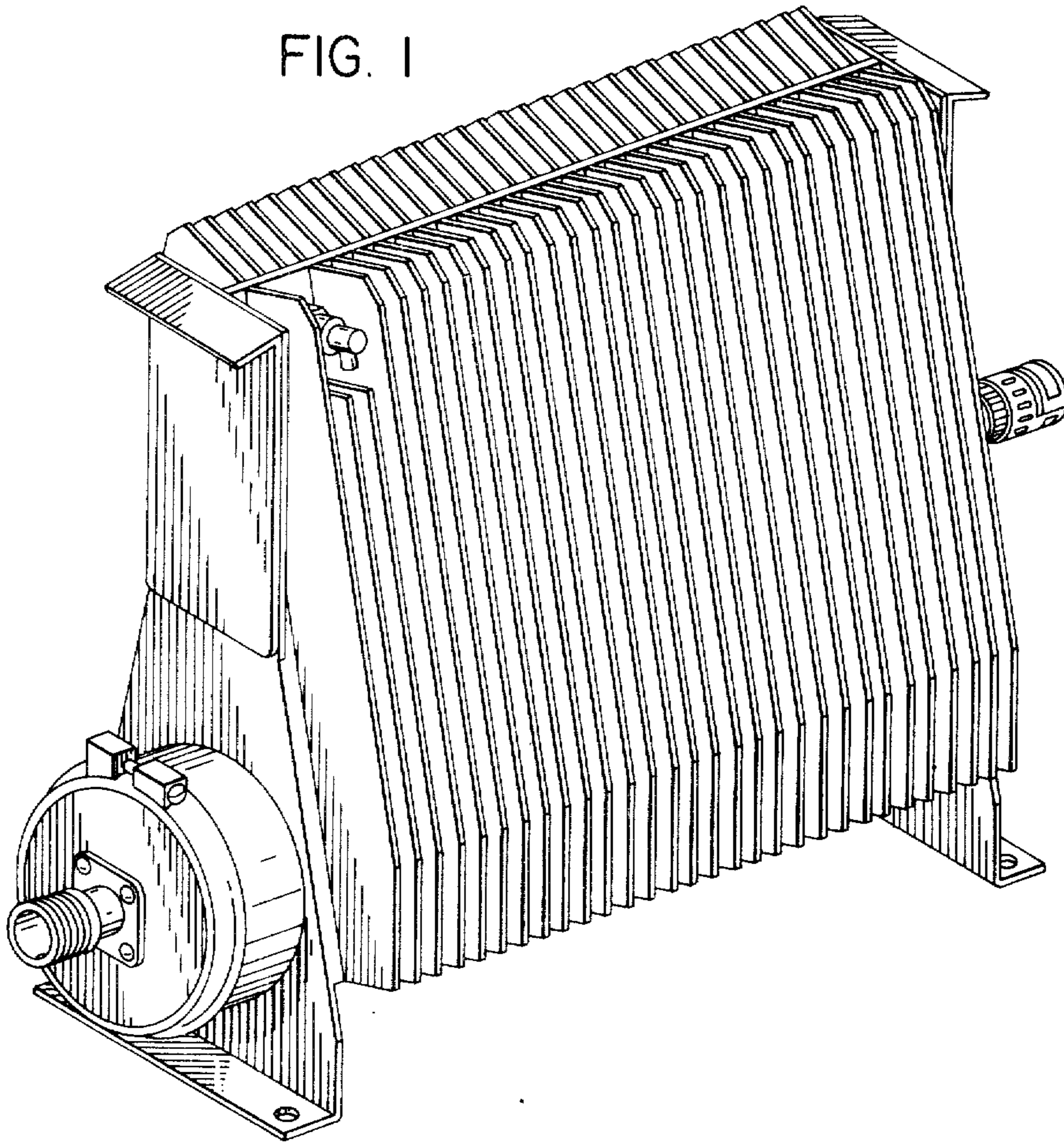


FIG. 2

