

[54] TRIM PIECE FOR AN AUTOMOBILE HOOD

[76] Inventors: Ulric W. Trombley, R.R. #1, Chisago City, Minn. 55013; Richard J. Nozel, 354 Edith Dr., West St. Paul, Minn. 55118

[**] Term: 14 Years

[21] Appl. No.: 132,087

[22] Filed: Mar. 20, 1980

[51] Int. Cl. D12-16

[52] U.S. Cl. D12/190

[58] Field of Search D12/197, 181, 190; 296/95 Q, 91; 180/69 R, 69.01

[56] References Cited PUBLICATIONS

J. C. Whitney Catalog No. 392B, p. 68, Chrome Grille Crowns, top left side of page.

Primary Examiner—James M. Gandy

[57] CLAIM

The ornamental design for a trim piece for an automobile hood, substantially as shown and described.

DESCRIPTION

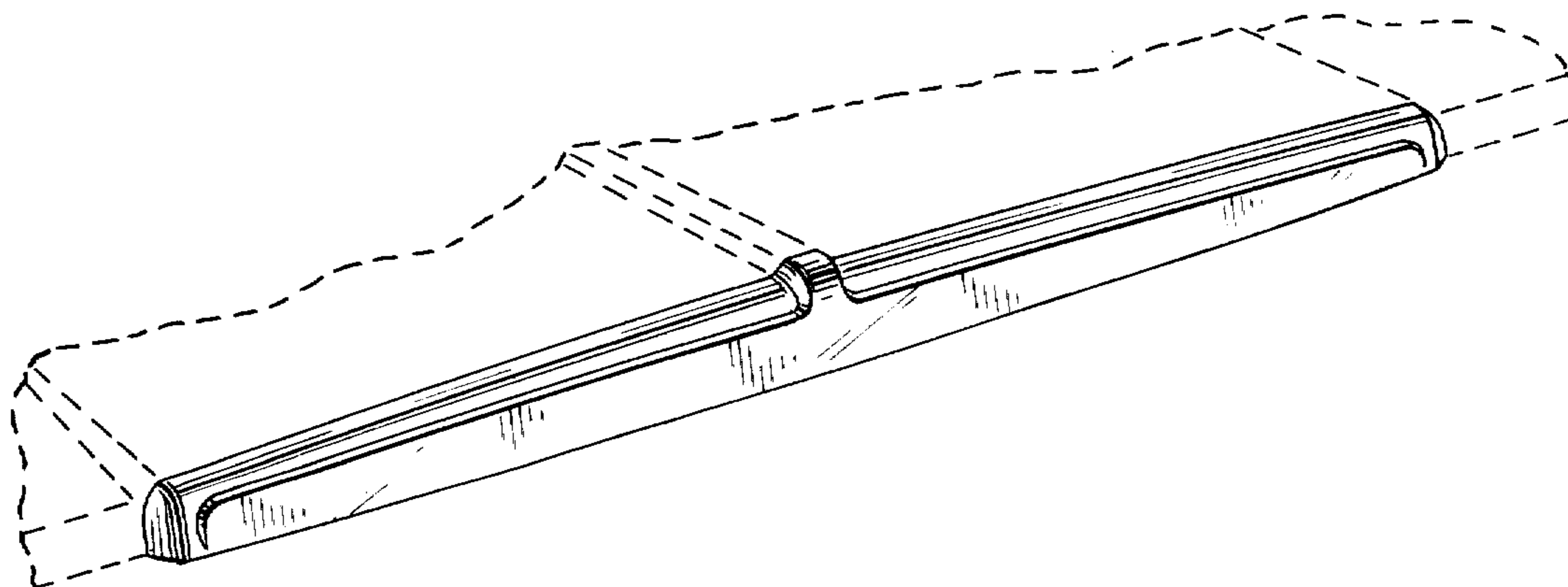
FIG. 1 is a perspective view of a trim piece for an automobile hood showing our new design, it being understood that the broken lines are for illustrative purposes only;

FIG. 2 is a top plan view thereof;

FIG. 3 is a rear elevational view thereof;

FIG. 4 is a bottom plan view thereof; and

FIG. 5 is an enlarged end elevational view thereof.



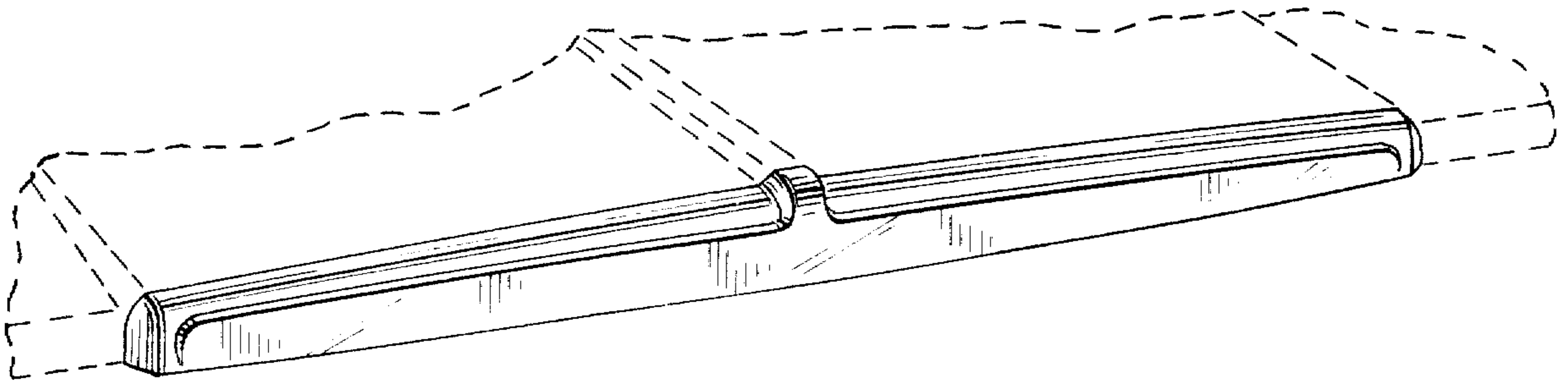


FIG. 1



FIG. 2

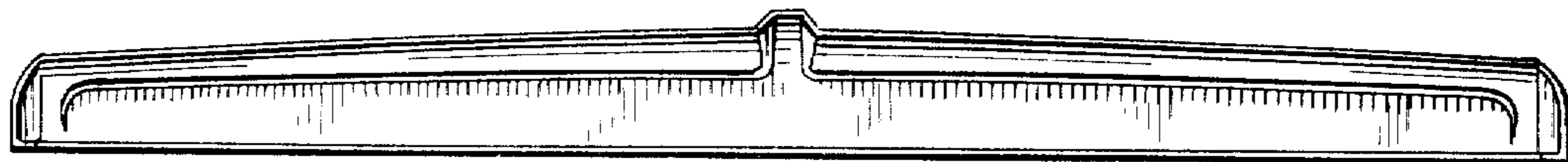


FIG. 3



FIG. 4

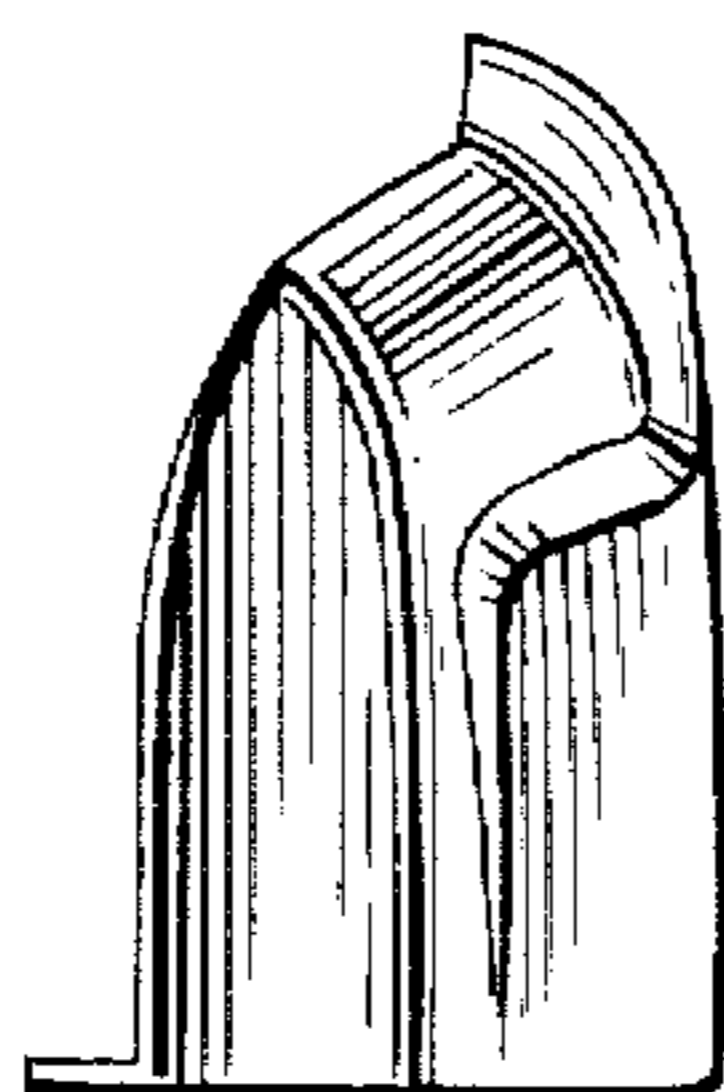


FIG. 5