

[54] **TIRE**

[75] **Inventor:** Michael R. Corner, Coventry, England

[73] **Assignee:** Dunlop Limited, London, England

[**] **Term:** 14 Years

[21] **Appl. No.:** 107,862

[22] **Filed:** Dec. 28, 1979

[30] **Foreign Application Priority Data**

Jul. 10, 1979 [GB] United Kingdom 990633

[51] **Int. Cl.** D12-15

[52] **U.S. Cl.** D12/142

[58] **Field of Search** D12/134, 141-143, D12/145-151; 152/209 R, 209 NT, 209 WT, 209 D

[56] **References Cited**

U.S. PATENT DOCUMENTS

D. 223,184 3/1972 Felker D12/142
D. 240,723 7/1976 Lejeune D12/142
D. 260,629 9/1981 Hammond D12/142
3,897,813 8/1975 Verdier 152/209 R

OTHER PUBLICATIONS

The Motor, 8/22/39, p. 25, Firestone Tire.
Colliers, 5/18/46, p. 54, Armstrong Tire.

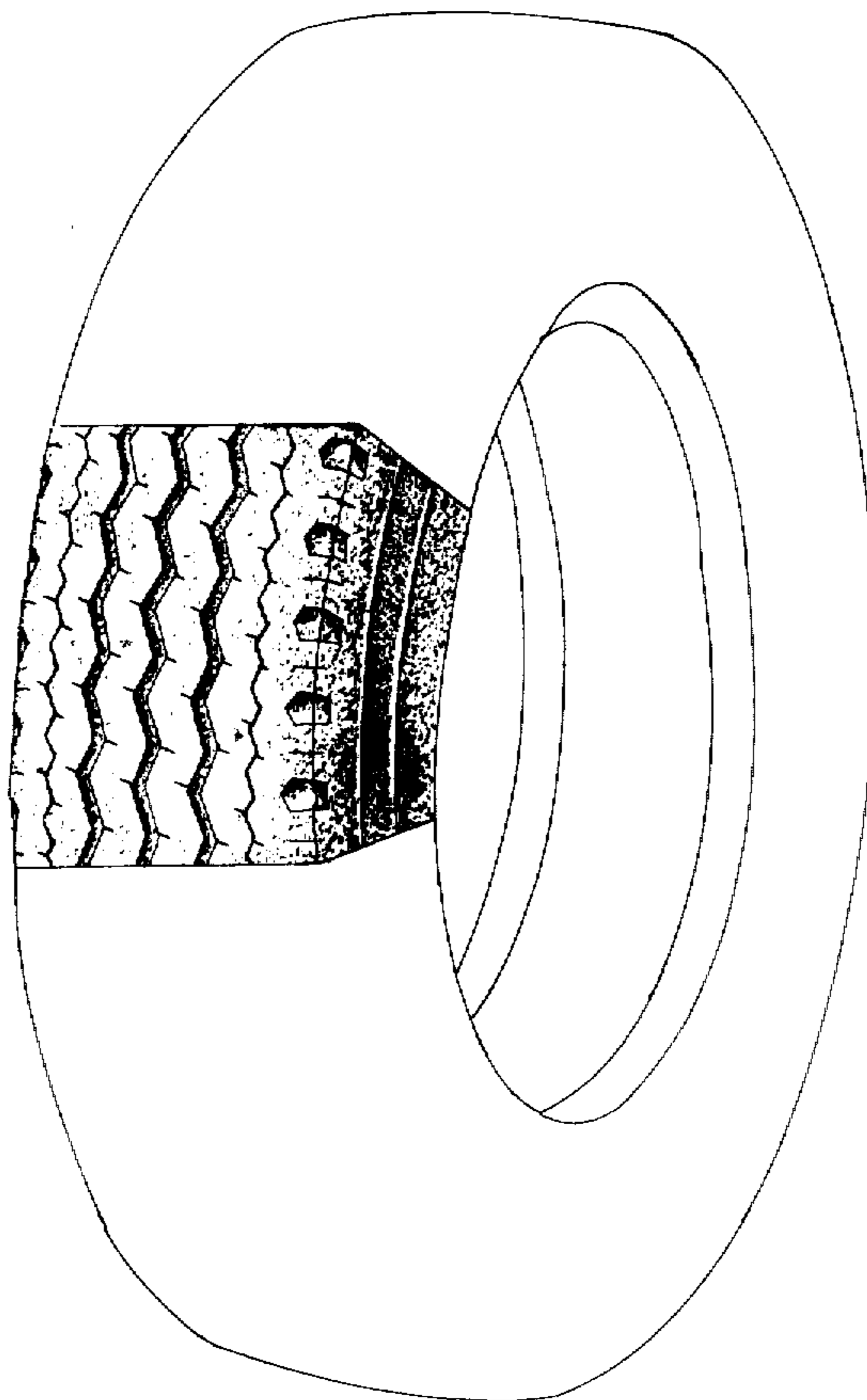
Primary Examiner—James M. Gandy
Attorney, Agent, or Firm—Stevens, Davis, Miller & Mosher

[57] **CLAIM**

The ornamental design for a tire, as shown and described.

DESCRIPTION

FIG. 1 is a perspective view of a tire showing my new design, it being understood that the tread pattern is repeated throughout the circumference of the tire, the opposite side being substantially the same as that shown; FIG. 2 is a front elevational view thereof; and FIG. 3 is a side perspective view thereof.



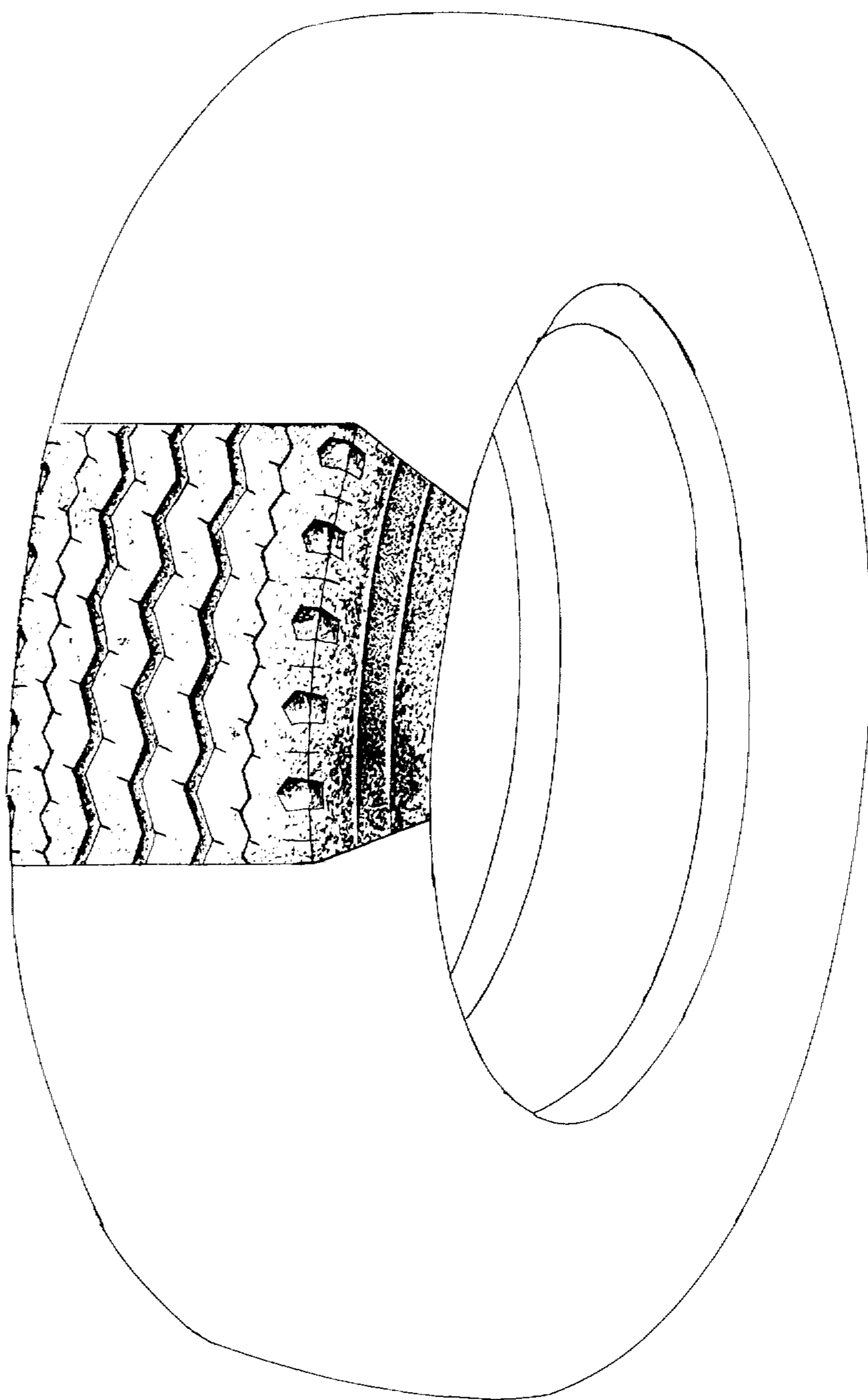


FIG.1

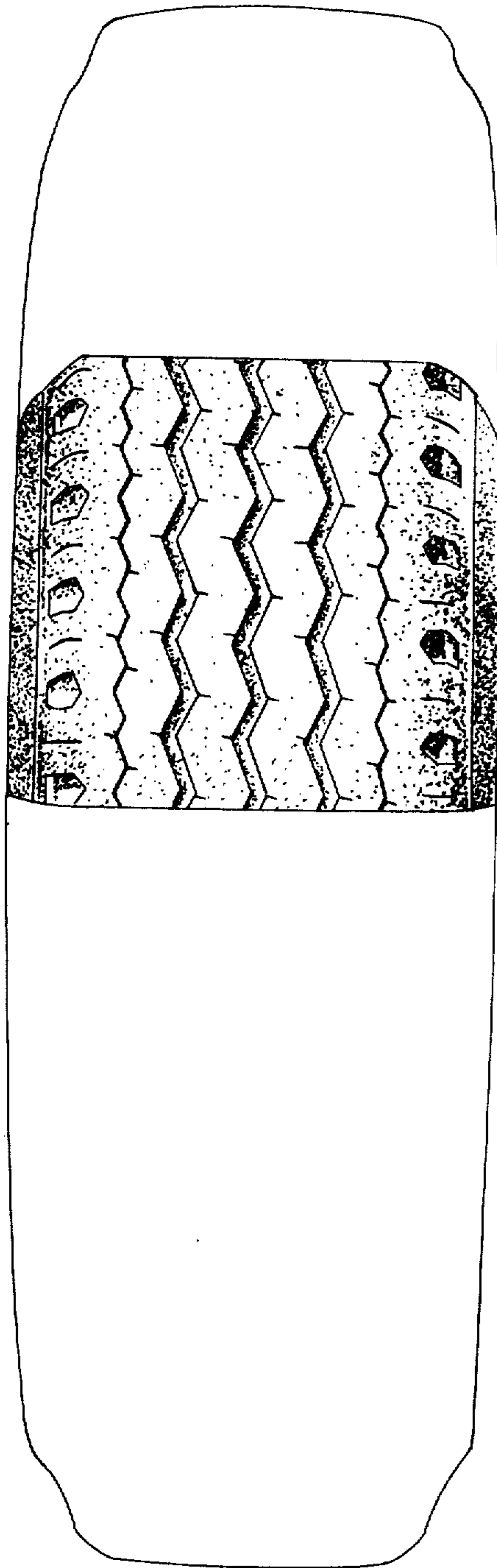


FIG.2

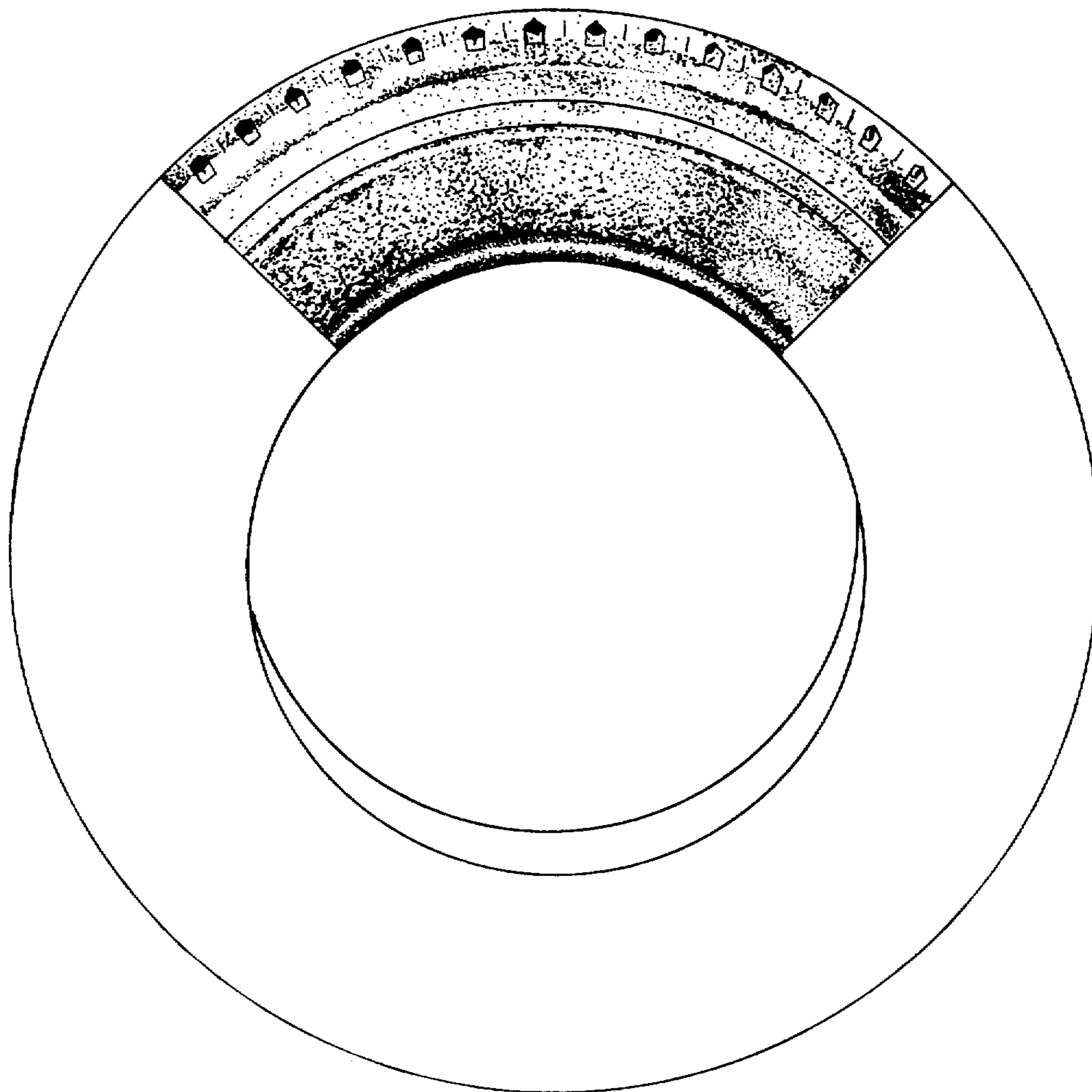


FIG.3