

[54] UTILITY CARRIER CART

[76] Inventor: Ralph A. Watkins, 113 R St., NE., Washington, D.C. 20002

[**] Term: 14 Years

[21] Appl. No.: 541,918

[22] Filed: Jan. 20, 1975

[51] Int. Cl. D12-10

[52] U.S. Cl. D12/105; D12/114; D34/24

[58] Field of Search D12/114, 32, 34, 158, D12/105; 280/204

[56] References Cited

U.S. PATENT DOCUMENTS

D. 196,627	10/1963	Wolf	D12/120
D. 230,722	3/1974	Hlavin	D12/158
653,415	7/1900	Ford	280/204
3,747,955	7/1973	McAlpine	280/204
3,792,875	2/1974	Paden	280/204

3,877,723 4/1975 Fahey et al. D12/114 UX

FOREIGN PATENT DOCUMENTS

58678 3/1941 Denmark 280/204

OTHER PUBLICATIONS

American Bicyclist & Motorcyclist, 9/74, Utility Bicycle Trailer, p. 99, center left side of page.

American Bicyclist & Motorcyclist, 5/47, p. 15, "Station Wagon", top of page.

Primary Examiner—James M. Gandy

[57] CLAIM

The ornamental design for a utility carrier cart, as shown.

DESCRIPTION

FIG. 1 is a side elevational view of a utility carrier cart showing my new design;

FIG. 2 is a top plan view thereof;

FIG. 3 is a rear elevational view thereof; and

FIG. 4 is a front elevational view thereof.



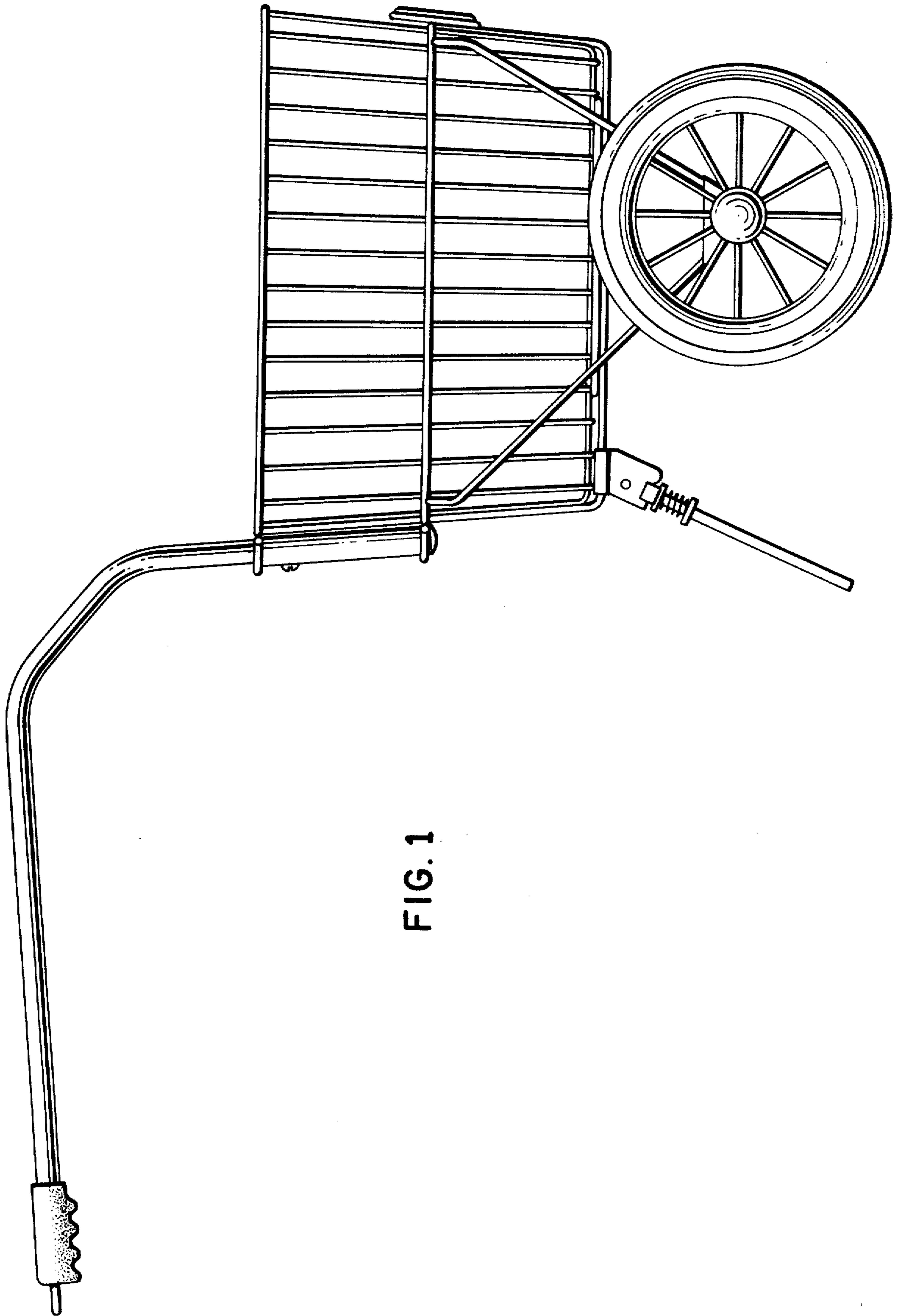


FIG. 1

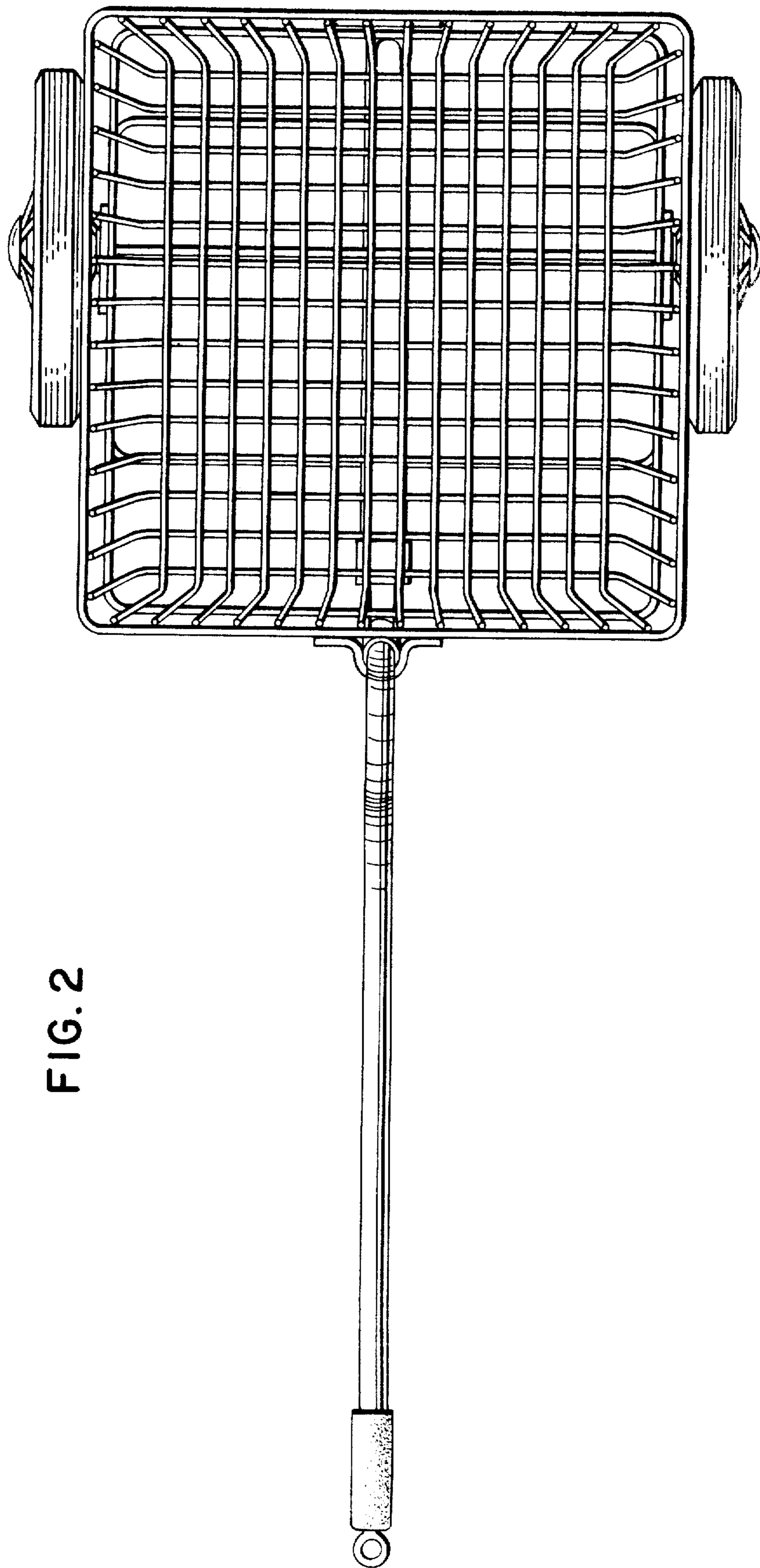


FIG. 2

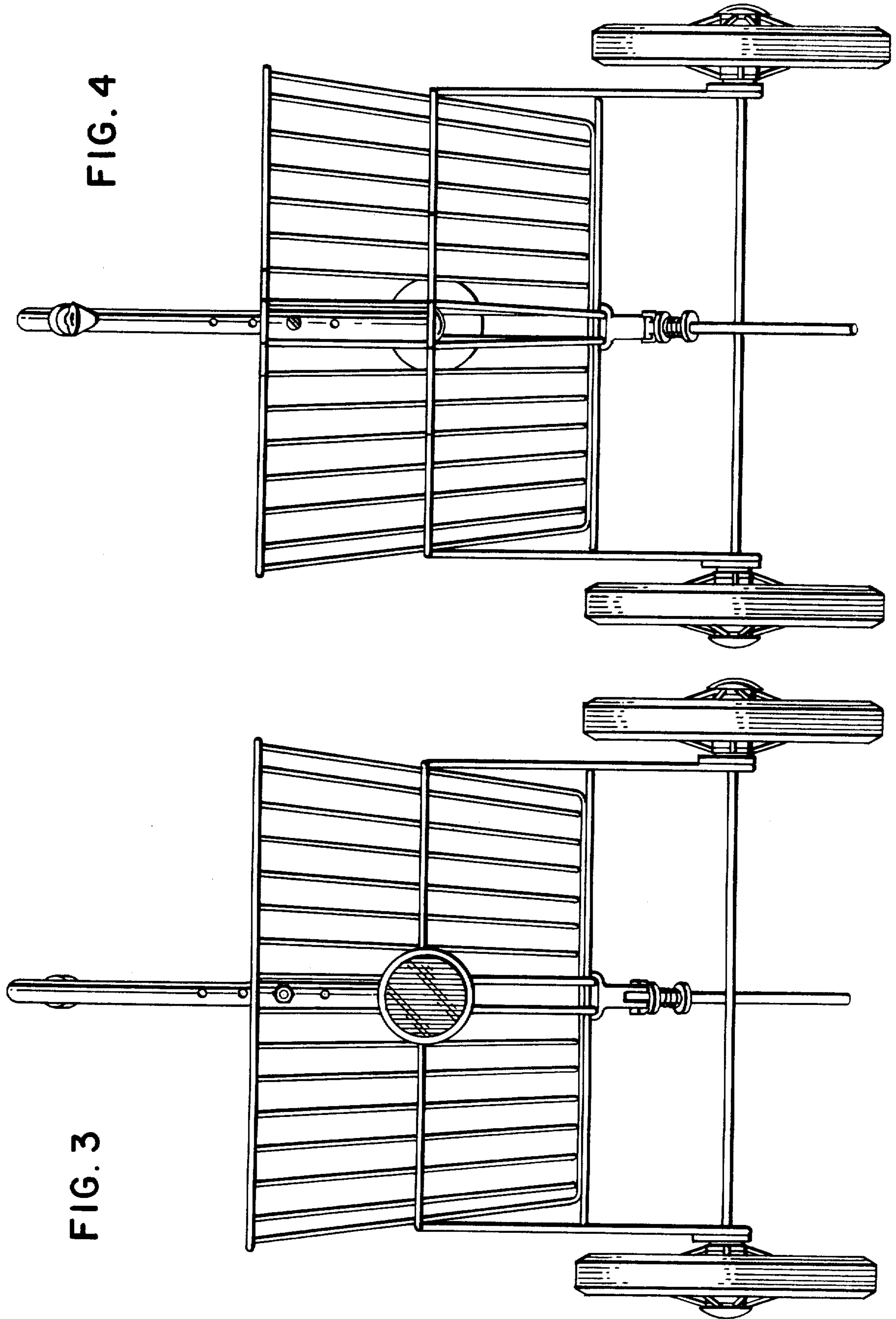


FIG. 4

FIG. 3