

[54] **FIREWOOD CART**

[76] **Inventor:** Kenneth E. Rahn, Rte. 2, W. 2727 N. Shore Dr., Onalaska, Wis. 54650

[**] **Term:** 3½ Years

[21] **Appl. No.:** 133,486

[22] **Filed:** Mar. 21, 1980

[51] **Int. Cl.** D12-02

[52] **U.S. Cl.** D34/24

[58] **Field of Search** D12/32, 25; 280/47.17, 280/47.19, 47.24, 47.26, 47.34

[56] **References Cited**

U.S. PATENT DOCUMENTS

- D. 227,880 7/1973 Steinhoff et al. D12/25
- 4,264,081 4/1981 Markham 280/47.34

OTHER PUBLICATIONS

Modern Materials Handling, 6/56, p. 21, Hand Truck with End Panels, top center of page.

Primary Examiner—James M. Gandy
Attorney, Agent, or Firm—Isaksen, Lathrop, Esch, Hart & Clark

CLAIM

[57] The ornamental design for a firewood cart, as shown and described.

DESCRIPTION

FIG. 1 is a side elevation view of a firewood cart showing my new design.
 FIG. 2 is a front elevation view thereof.
 FIG. 3 is a top plan view thereof.
 FIG. 4 is a side elevation view thereof opposite to that shown in FIG. 1.
 FIG. 5 is a rear elevation view thereof.
 FIG. 6 is a bottom plan view thereof.

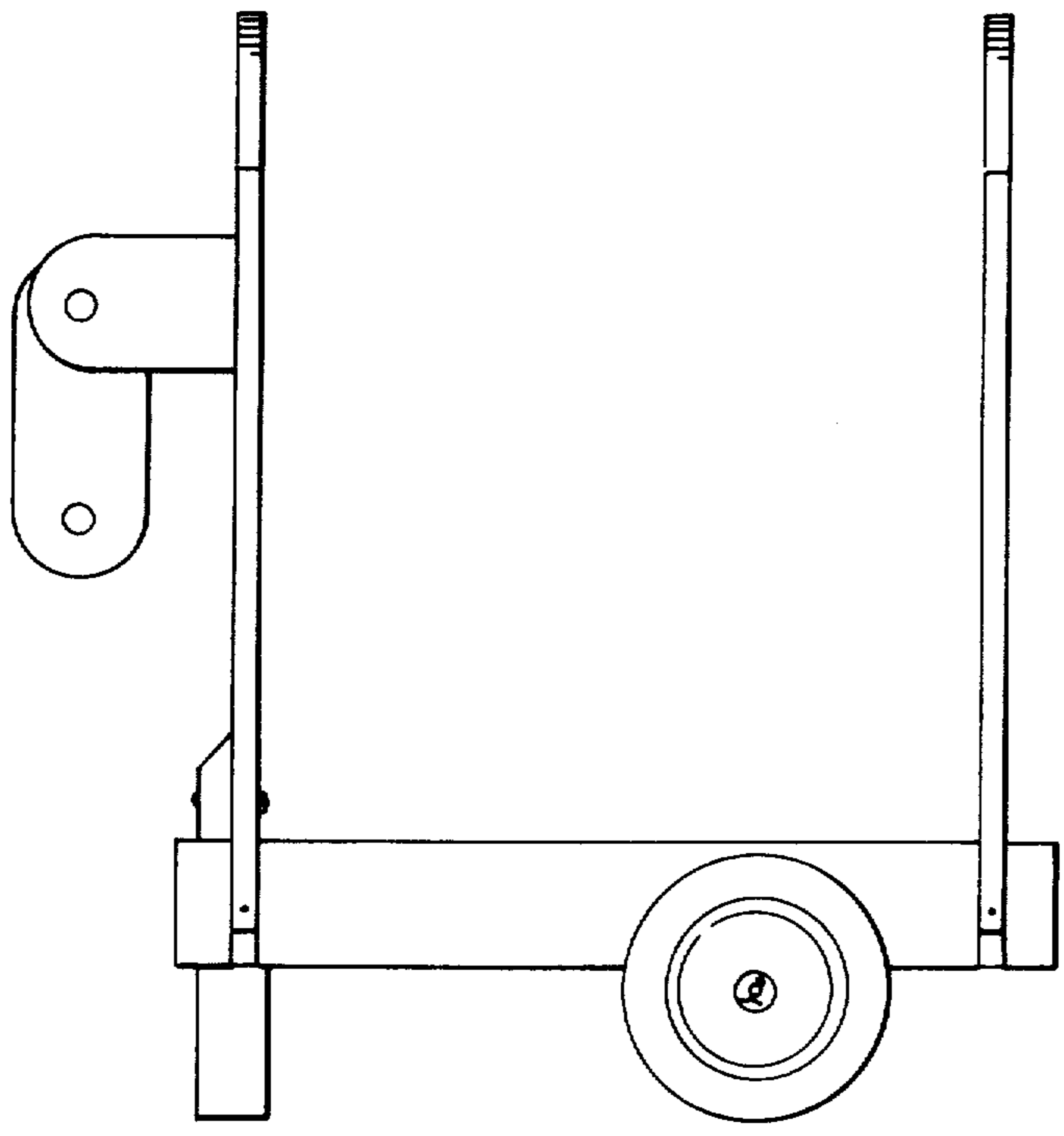


FIG. 3

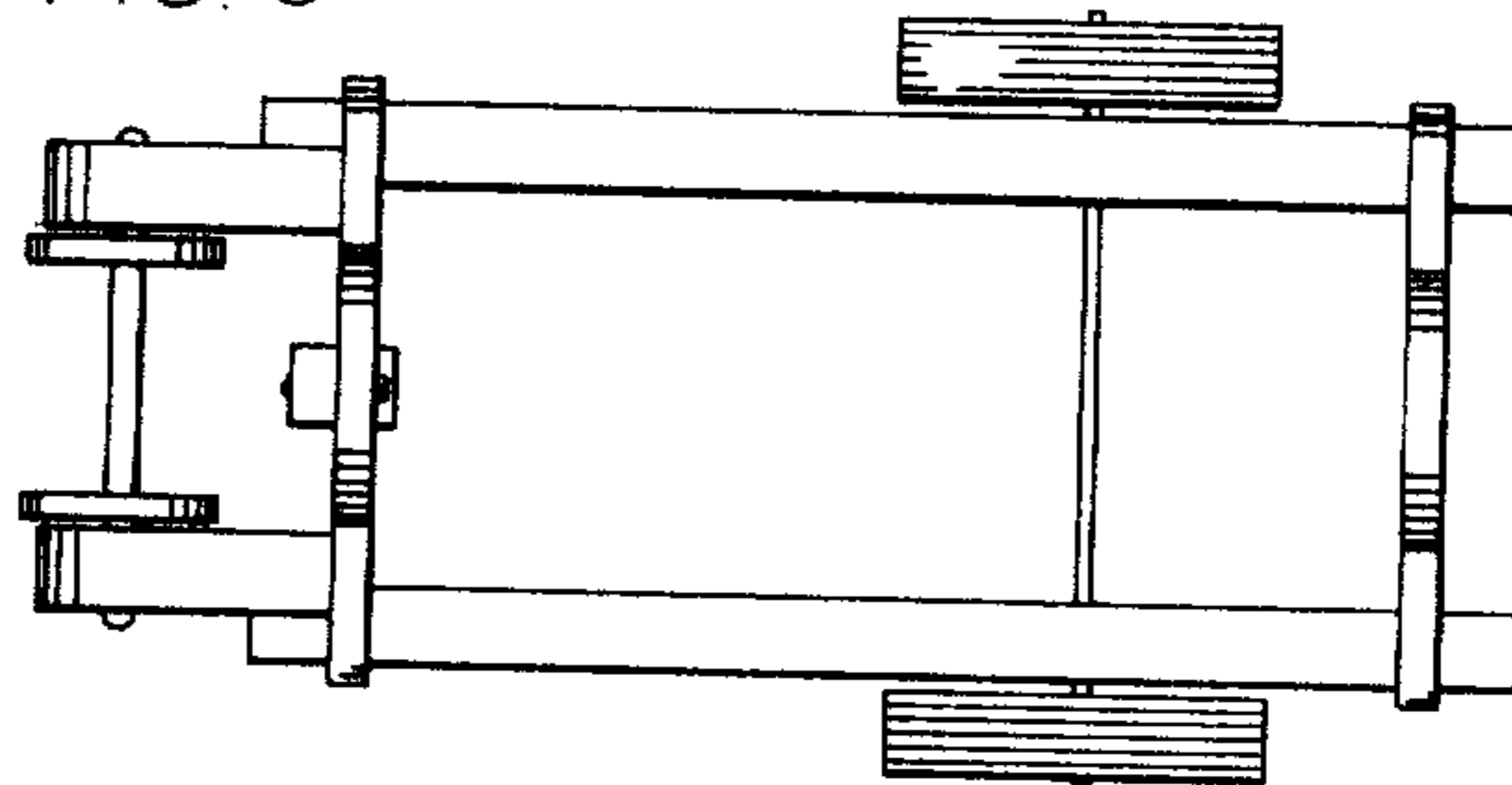


FIG. 2

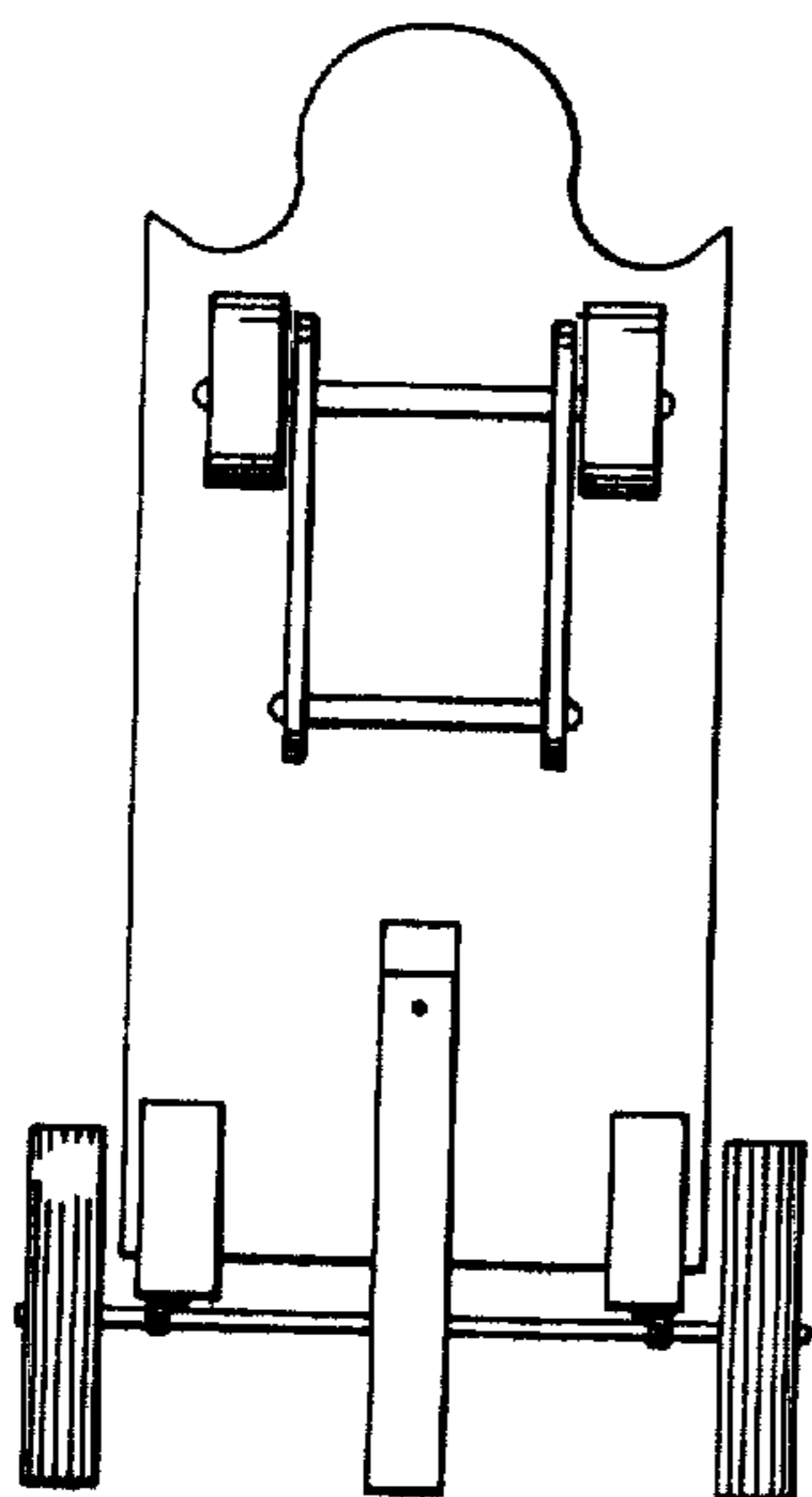


FIG. 1

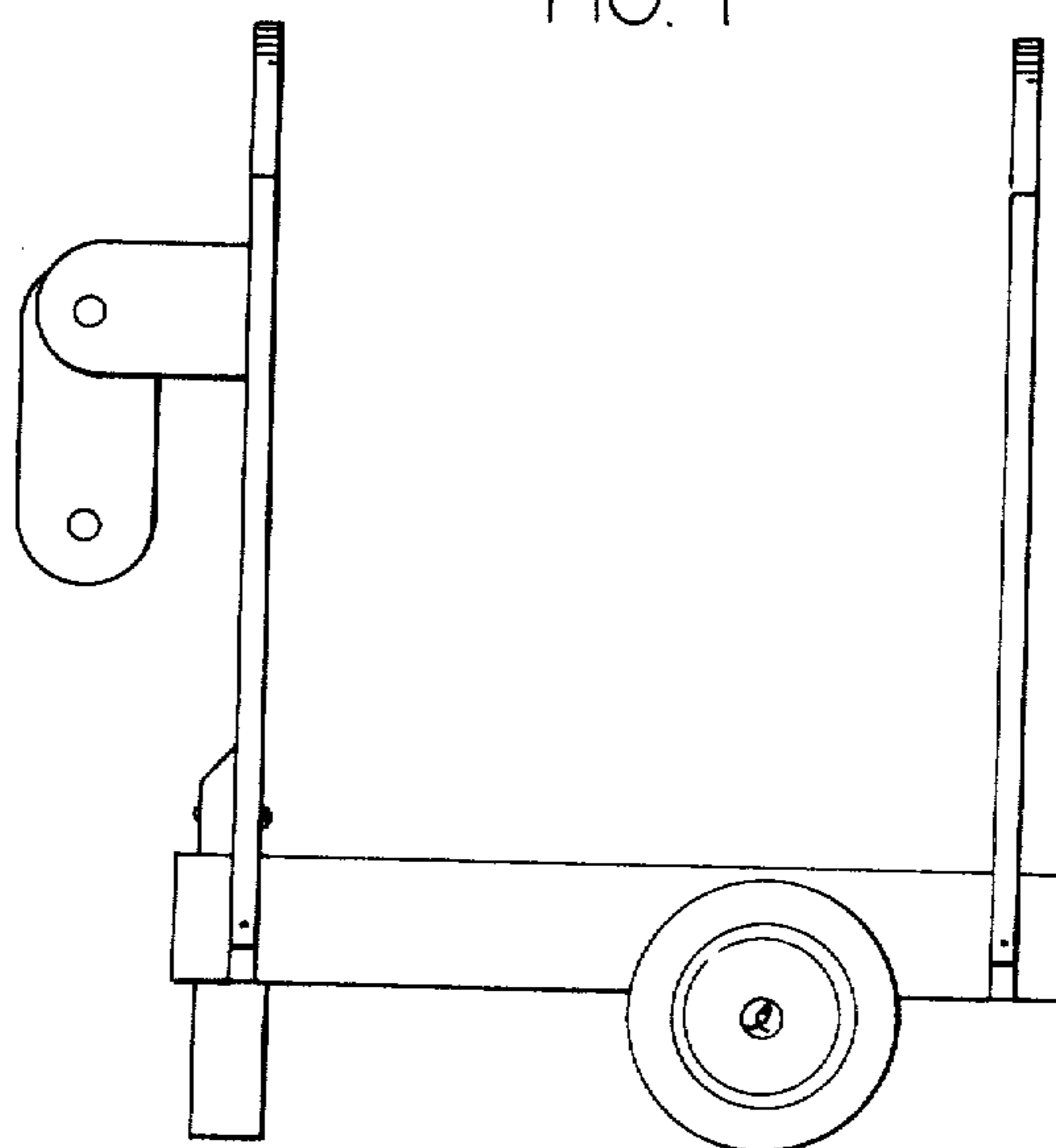


FIG. 6

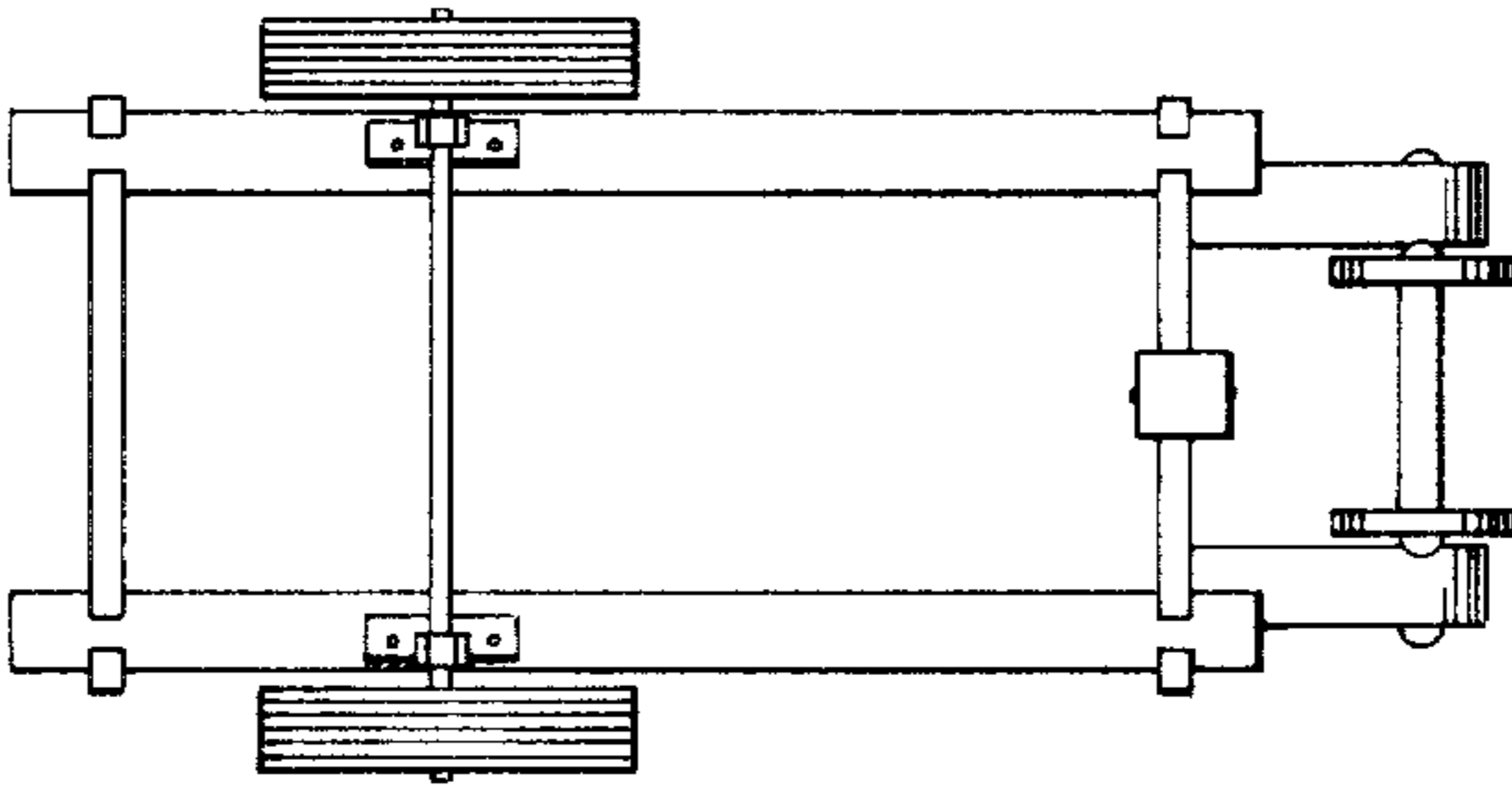


FIG. 5

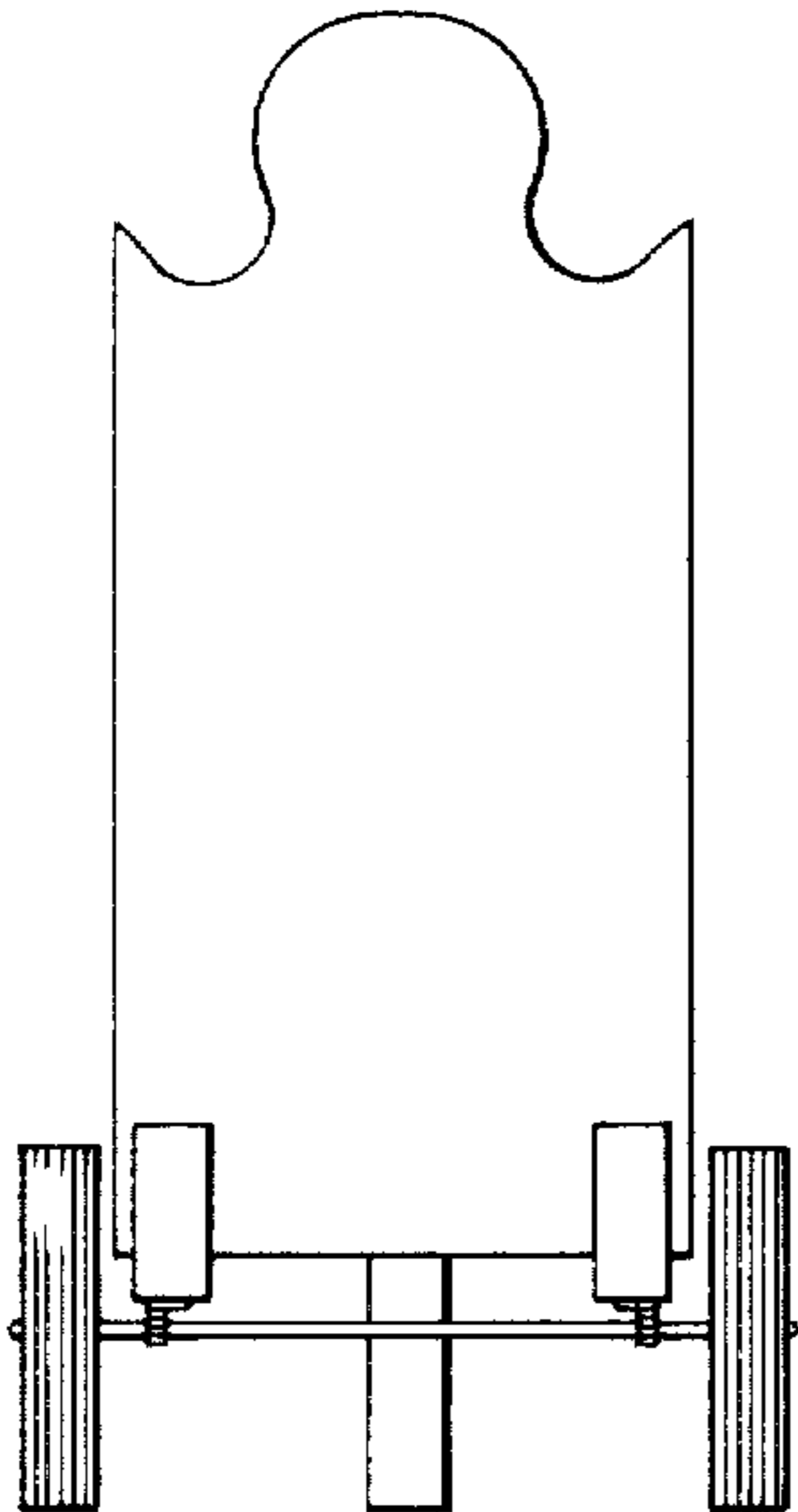


FIG. 4

