

[54] LATTICE MODULE

[76] Inventor: Yuzo Takahashi, 32-19, Daizawa 2-chome, Setagaya-ku, Tokyo, Japan, 155

[**] Term: 14 Years

[21] Appl. No.: 44,516

[22] Filed: Jun. 1, 1979

[51] Int. Cl. D11-02

[52] U.S. Cl. D11/131; D11/164; D21/107; D21/108

[58] Field of Search D6/191; D11/131, 164; D21/107, 108, 141; 35/18 A; 46/26, 28, 29; 403/170, 171, 173; 428/11, 542

[56] References Cited

U.S. PATENT DOCUMENTS

| | | | |
|-----------|---------|-----------|---------|
| 2,970,388 | 2/1961 | Yonkers | 35/18 A |
| 3,792,882 | 2/1974 | Varichon | 403/171 |
| 3,841,001 | 10/1974 | Nicholson | 35/18 A |

FOREIGN PATENT DOCUMENTS

613144 11/1960 Italy 403/173

OTHER PUBLICATIONS

Gifts and Decorative Accessories, vol. 78, May 1977, p. 194, Structure in lower center of p. 194. Registrering stidning för Mönster, 1972, p. M592, Structure No. 1 in upper left and Structure No. 9, in left center.

Primary Examiner—Leland A. Sebastian
Attorney, Agent, or Firm—Blanchard, Flynn, Thiel, Boutell & Tanis

[57] CLAIM

The ornamental design for a lattice module, as shown and described.

DESCRIPTION

FIG. 1 is a perspective view of a lattice module showing my new design; FIG. 2 is a top plan view thereof; and FIG. 3 is a perspective view of a connecting member thereof.

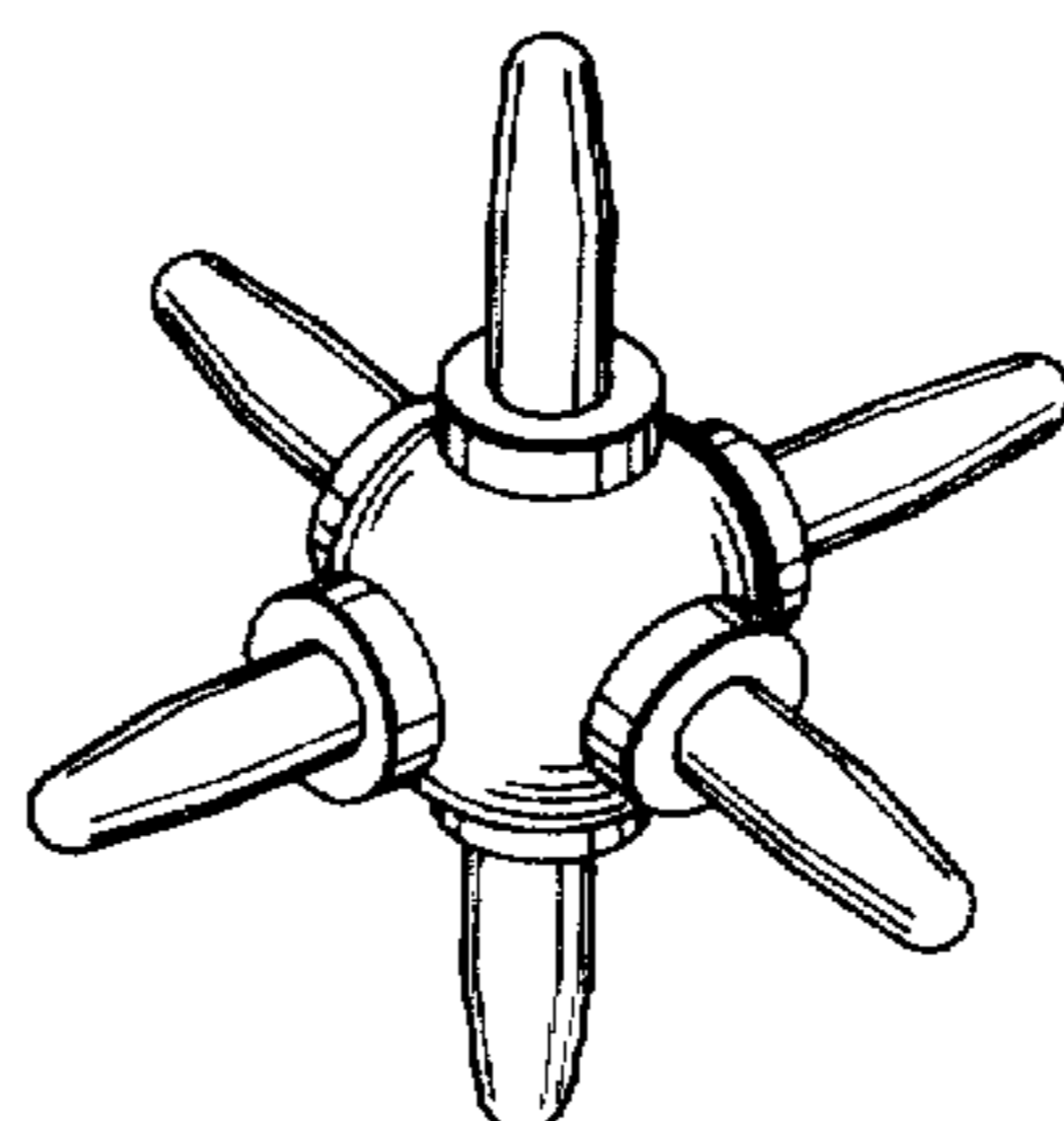
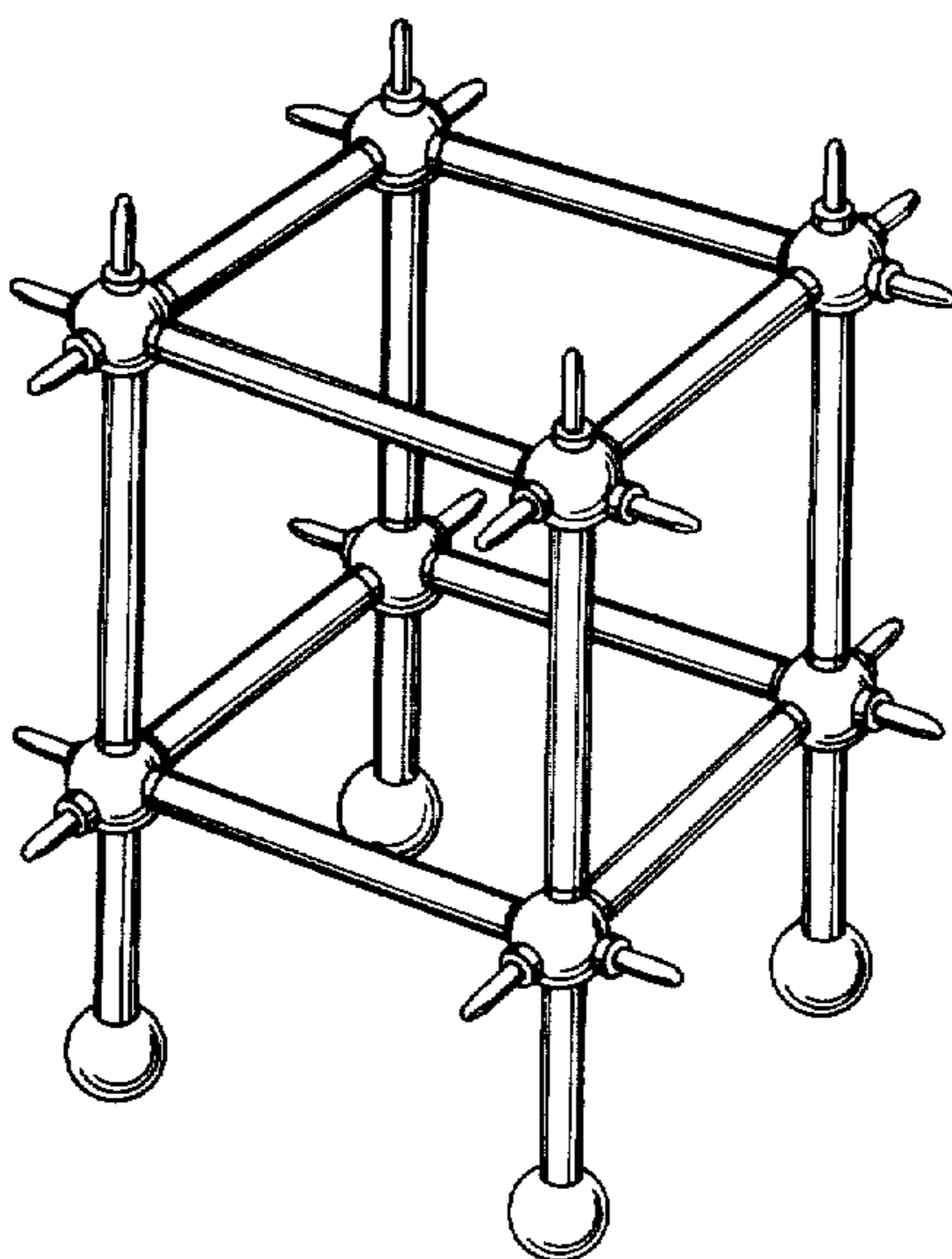


FIG. 1

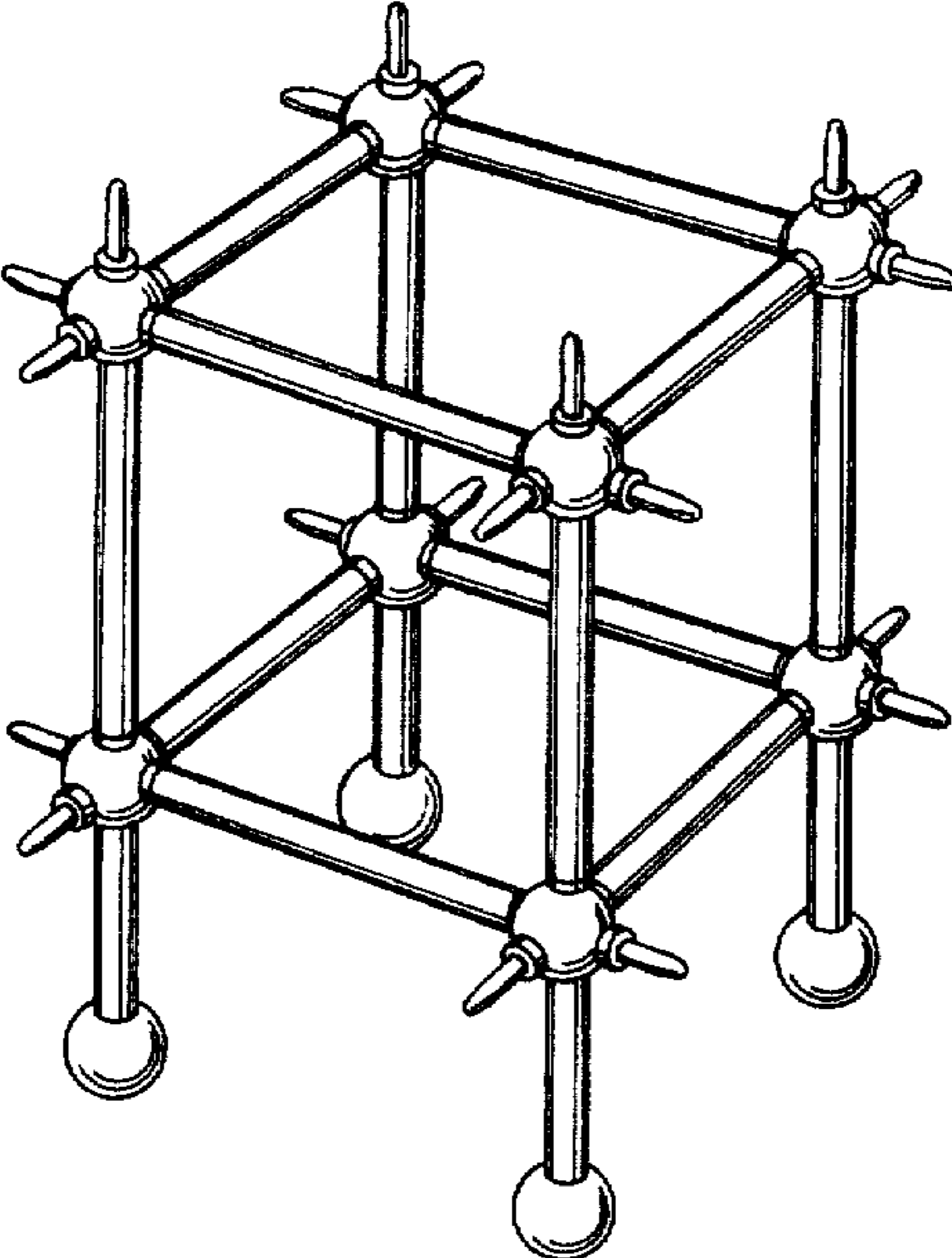


FIG. 2

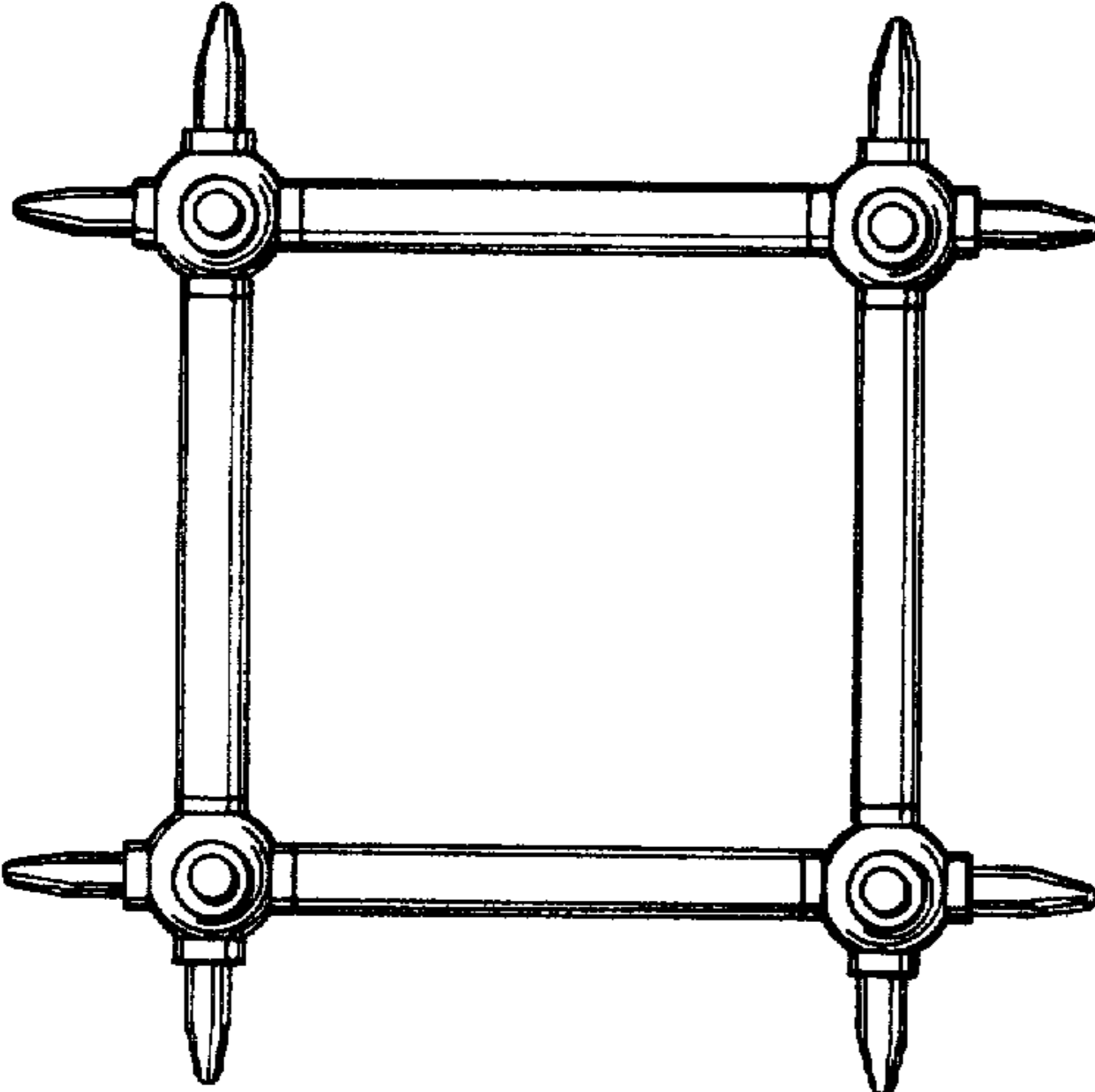


FIG. 3

