

[54] **TOP FOR A DRINK CUP**

[76] **Inventor:** Connice W. Bagwell, Rte. 2, Box 346,  
Somerville, Ala. 35670

[\*] **Notice:** The portion of the term of this patent  
subsequent to Jun. 30, 1998, has been  
disclaimed.

[\*\*] **Term:** 14 Years

[21] **Appl. No.:** 121,900

[22] **Filed:** Feb. 15, 1980

**Related U.S. Application Data**

[63] Continuation-in-part of Ser. No. 79,720, Sep. 28, 1979.

[51] **Int. Cl.** ..... D09-07

[52] **U.S. Cl.** ..... D9/454; D9/438

[58] **Field of Search** ..... 220/90.2, 90.4, 90.6,  
220/306, 268, 267; 215/229, 1 A; 229/7 S,  
D9/434, 435, 447, 454, 499, 438

[56] **References Cited**

**U.S. PATENT DOCUMENTS**

1,243,033 10/1917 Beatty ..... 229/7 S  
3,524,566 8/1970 Parks ..... 229/7 S  
3,612,342 10/1971 Rathbun ..... 220/306

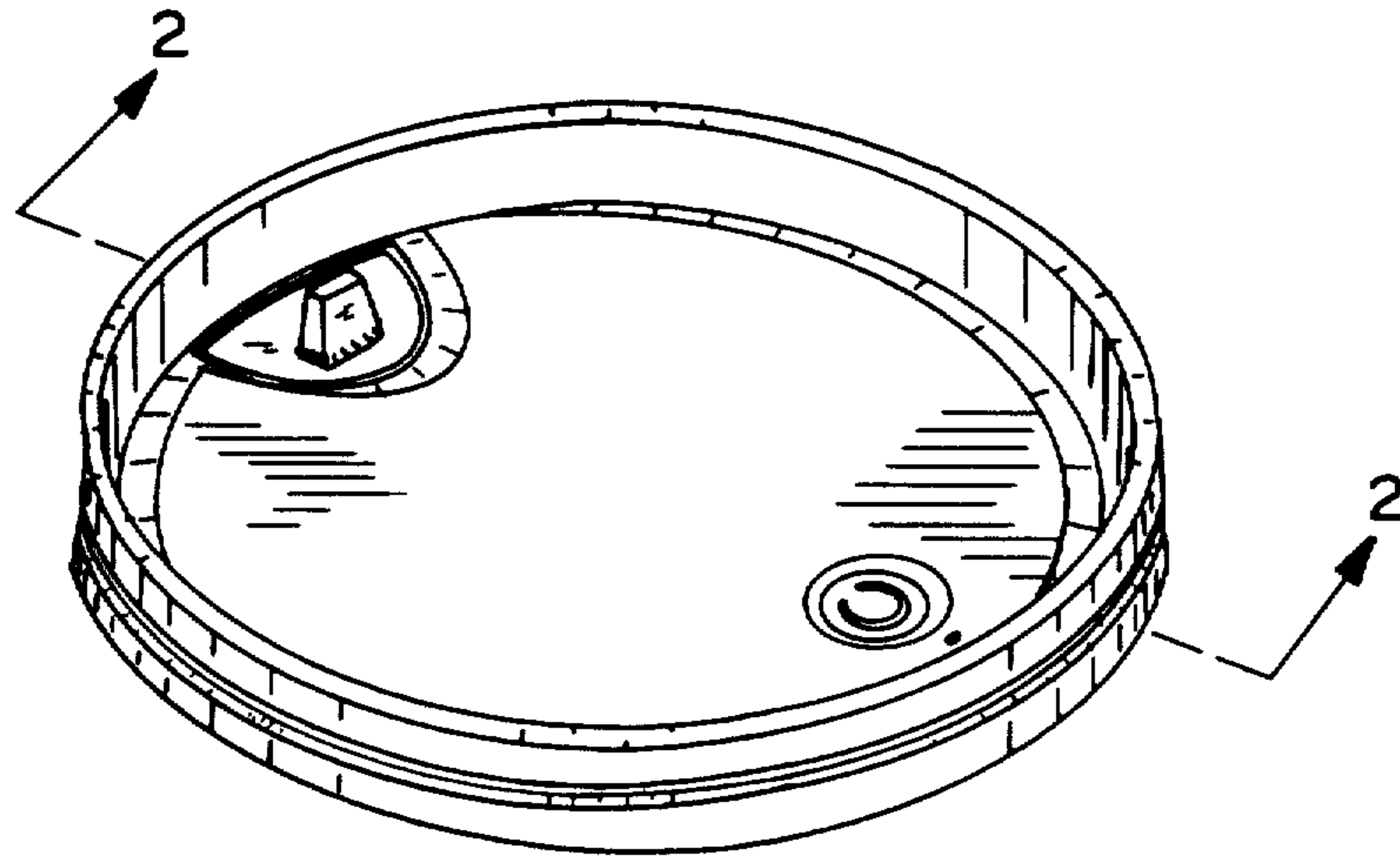
*Primary Examiner*—Joel Stearman  
*Assistant Examiner*—Carmen H. Vales  
*Attorney, Agent, or Firm*—C. A. Phillips

[57] **CLAIM**

The ornamental design for a top for a drink cup, sub-  
stantially as shown and described.

**DESCRIPTION**

FIG. 1 is a perspective view of a top for a drink cup,  
showing my new design; and  
FIG. 2 is a perspective sectional view taken along line  
2-2 of FIG. 1.



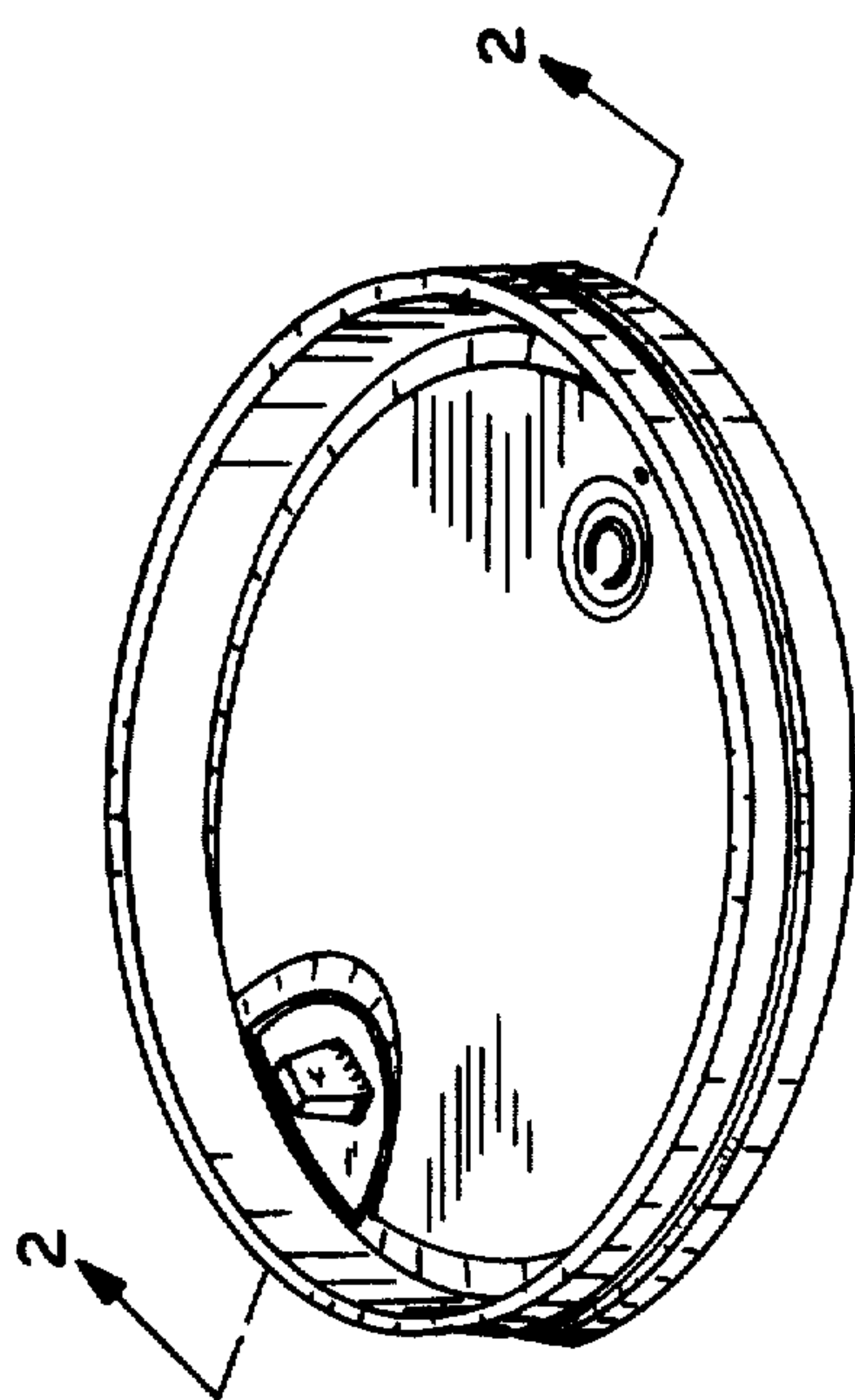


FIG. 1

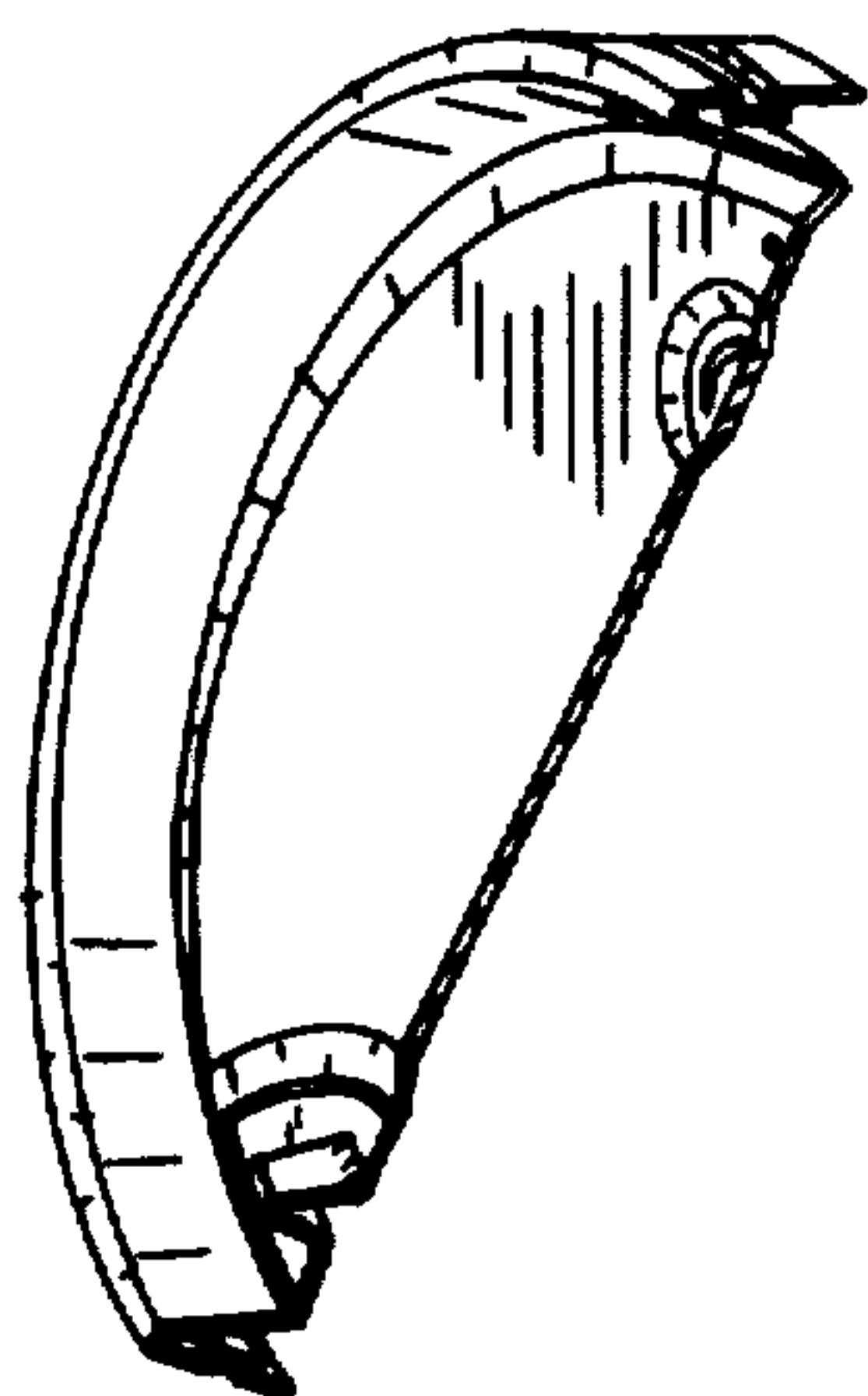


FIG. 2