

[54] **BAG FASTENER OR THE LIKE**

[76] Inventor: **David L. Miller**, 18424 Domino St.,
Reseda, Calif. 91335

[**] Term: **14 Years**

[21] Appl. No.: **90,928**

[22] Filed: **Nov. 5, 1979**

[51] Int. Cl. **D09—07**

[52] U.S. Cl. **D9/434**

[58] Field of Search **D9/434, 499; 150/3,**
150/6; 229/62, 65; 24/30.5 R, 67.7

[56] **References Cited**

U.S. PATENT DOCUMENTS

285,908	10/1883	Ludington	24/30.5 R
1,459,735	6/1923	Kraft	24/30.5 R
3,036,506	5/1962	Andersen, Jr.	24/30.5 R
3,266,711	8/1966	Song	24/30.5 R
3,827,472	8/1974	Uramoto	150/3

FOREIGN PATENT DOCUMENTS

2609 of 1872 United Kingdom 150/6

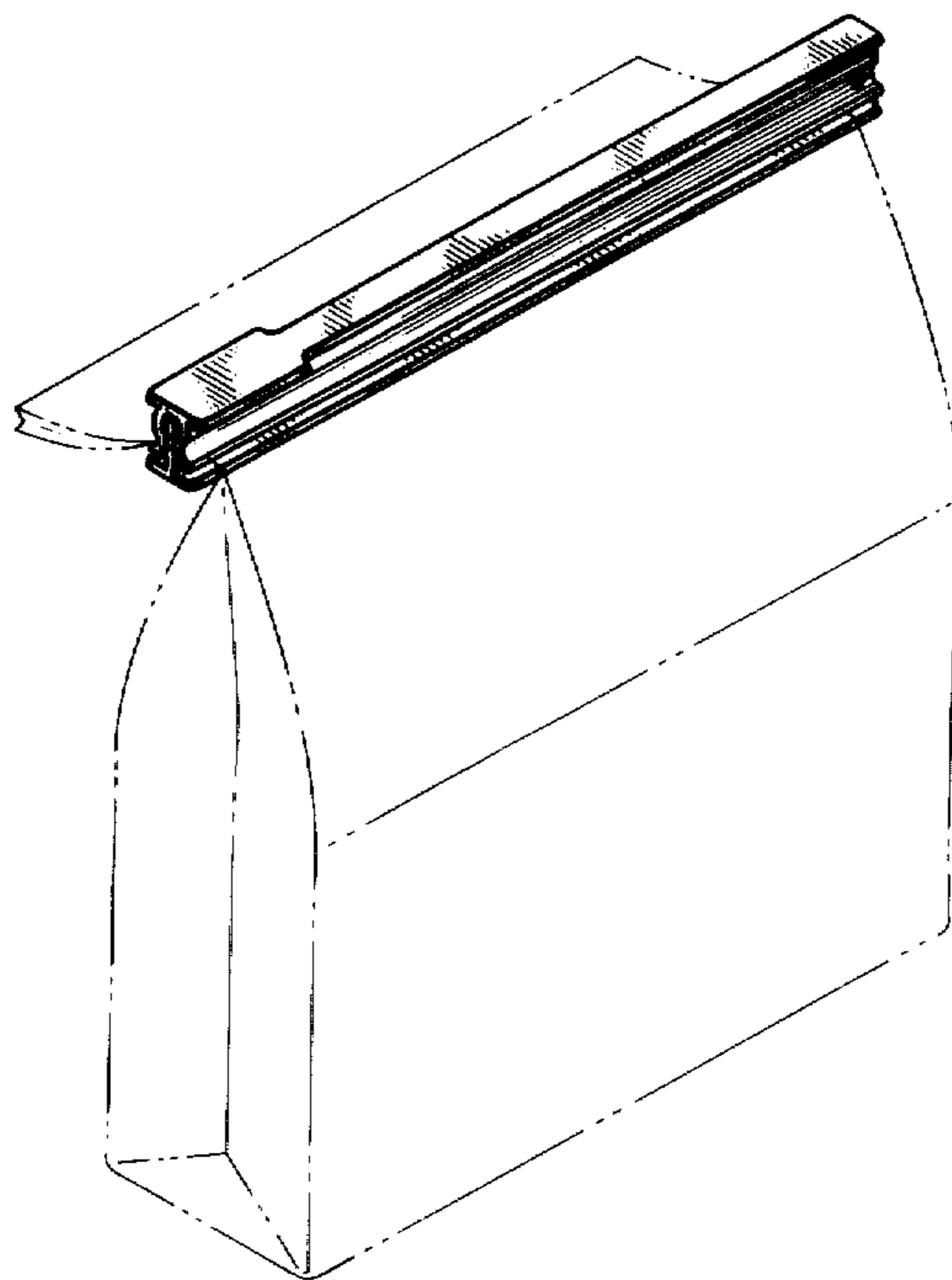
Primary Examiner—Joel Stearman
Assistant Examiner—Carmen H. Vales
Attorney, Agent, or Firm—Donald M. Cislo

[57] **CLAIM**

The ornamental design for bag fastener or the like, as shown and described.

DESCRIPTION

FIG. 1 is a perspective view of a bag fastener or the like showing my new design, the broken line showing of a bag being for illustrative purposes only;
FIG. 2 is a front elevational view thereof, the rear elevational view being a mirror image thereof;
FIG. 3 is a top plan view thereof;
FIG. 4 is a bottom plan view thereof;
FIG. 5 is a left hand elevational view thereof;
FIG. 6 is a right hand elevational view thereof; and
FIG. 7 is a sectional view taken along the line 7—7 of FIG. 2.



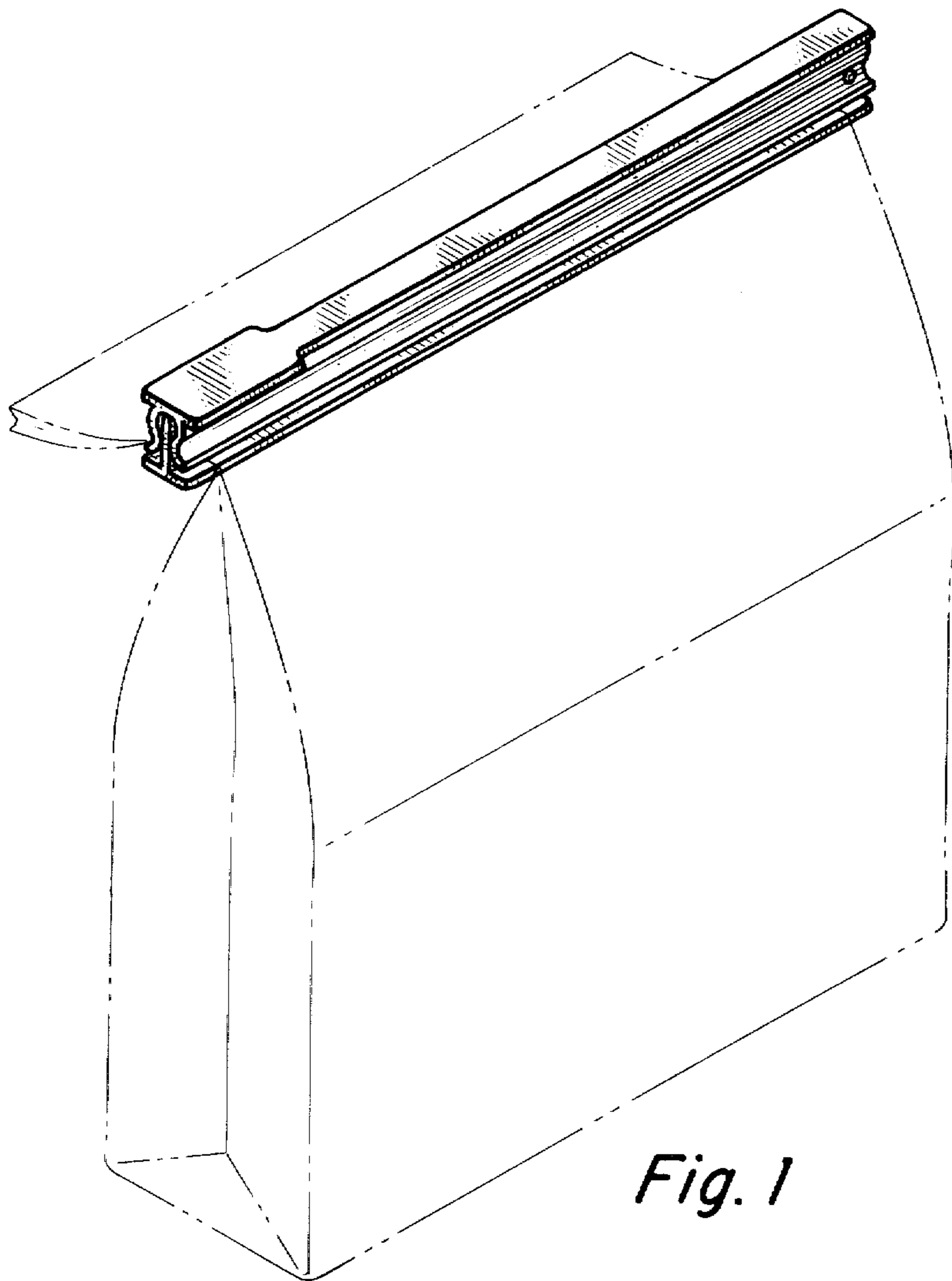


Fig. 1

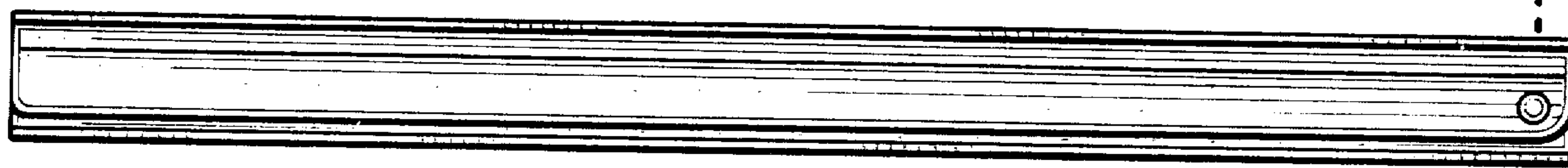


Fig. 2.

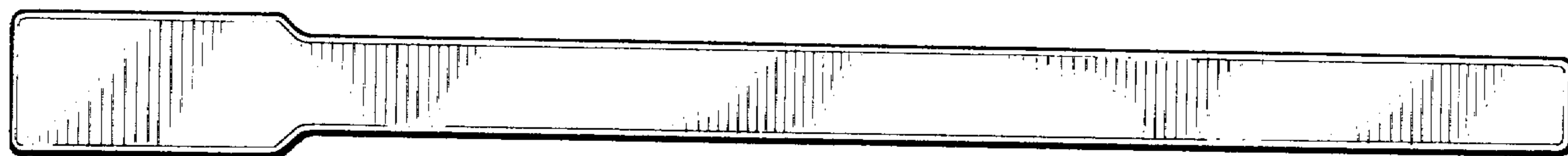


Fig. 3.

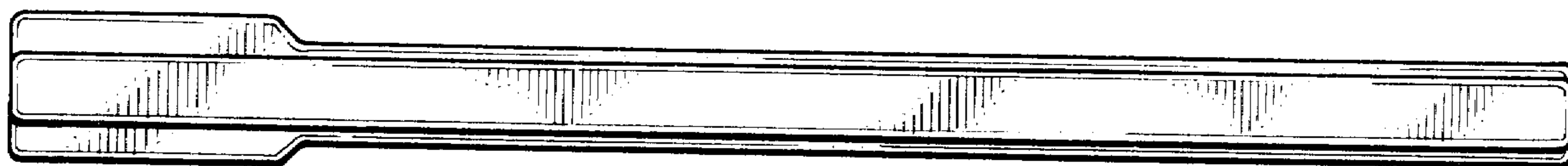


Fig. 4.

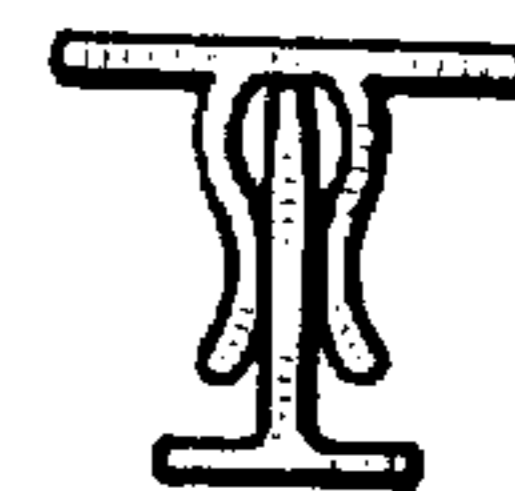


Fig. 5.

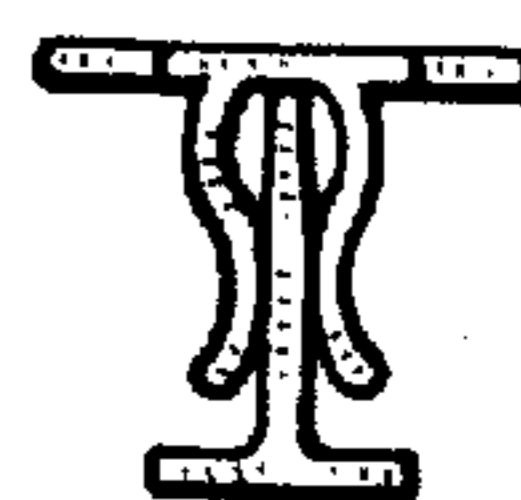


Fig. 6.



Fig. 7.