

[54] PACKAGING CUP

[75] Inventor: Paul Davis, Swampscott, Mass.

[73] Assignee: Sweetheart Plastics, Inc.,
Wilmington, Mass.

[**] Term: 14 Years

[21] Appl. No.: 129,400

[22] Filed: Mar. 10, 1980

[51] Int. Cl. D9-03

[52] U.S. Cl. D9/429

[58] Field of Search D9/390, 398, 428, 429;
229/1.5 B; 206/519, 520

[56] References Cited

U.S. PATENT DOCUMENTS

D. 195,699	7/1963	Bostrom	D9/429
D. 199,579	11/1964	Davis	D9/398
D. 219,432	12/1970	Edwards	D9/429
3,456,860	7/1969	Janninck	229/1.5 B
4,049,187	9/1977	Florian	206/519 X

Primary Examiner—Robert C. Spangler

Attorney, Agent, or Firm—Wolf, Greenfield & Sacks

[57] CLAIM

The ornamental design for a packaging cup, as shown and described.

DESCRIPTION

FIG. 1 is an elevational view of a packaging cup showing my new design, the opposite side being the same in appearance;

FIG. 2 is an elevational view looking from the right of FIG. 1, the opposite side being the same in appearance;

FIG. 3 is a top plan view thereof;

FIG. 4 is a bottom plan view thereof;

FIG. 5 is an elevational view showing a modified form of my new design; the opposite side being the same in appearance;

FIG. 6 is a top plan view thereof;

FIG. 7 is a bottom plan view thereof;

FIG. 8 is an elevational view showing another modified form of my new design, the opposite side being the same in appearance;

FIG. 9 is a top plan view thereof; and

FIG. 10 is a bottom plan view thereof.

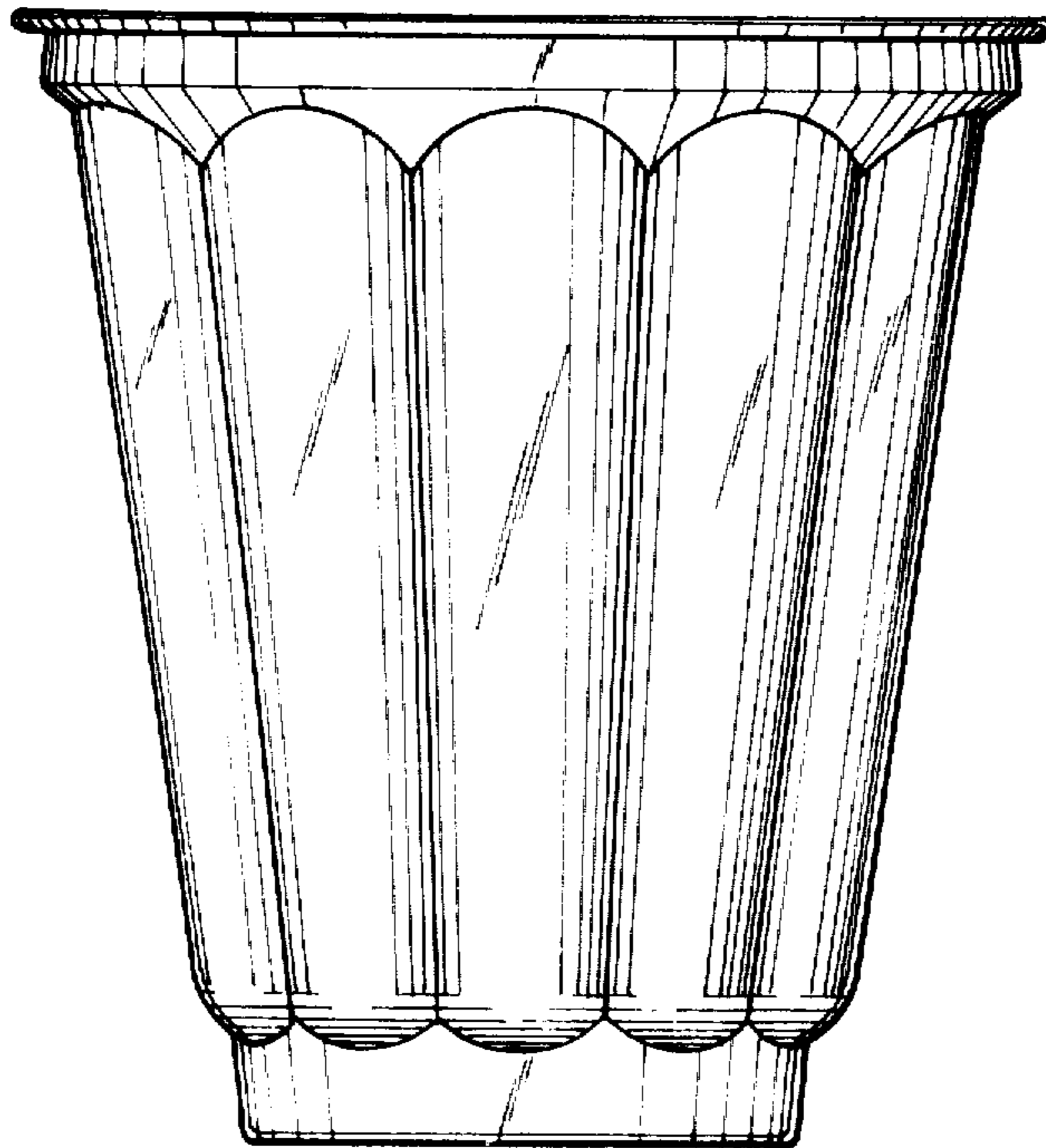


Fig. 1

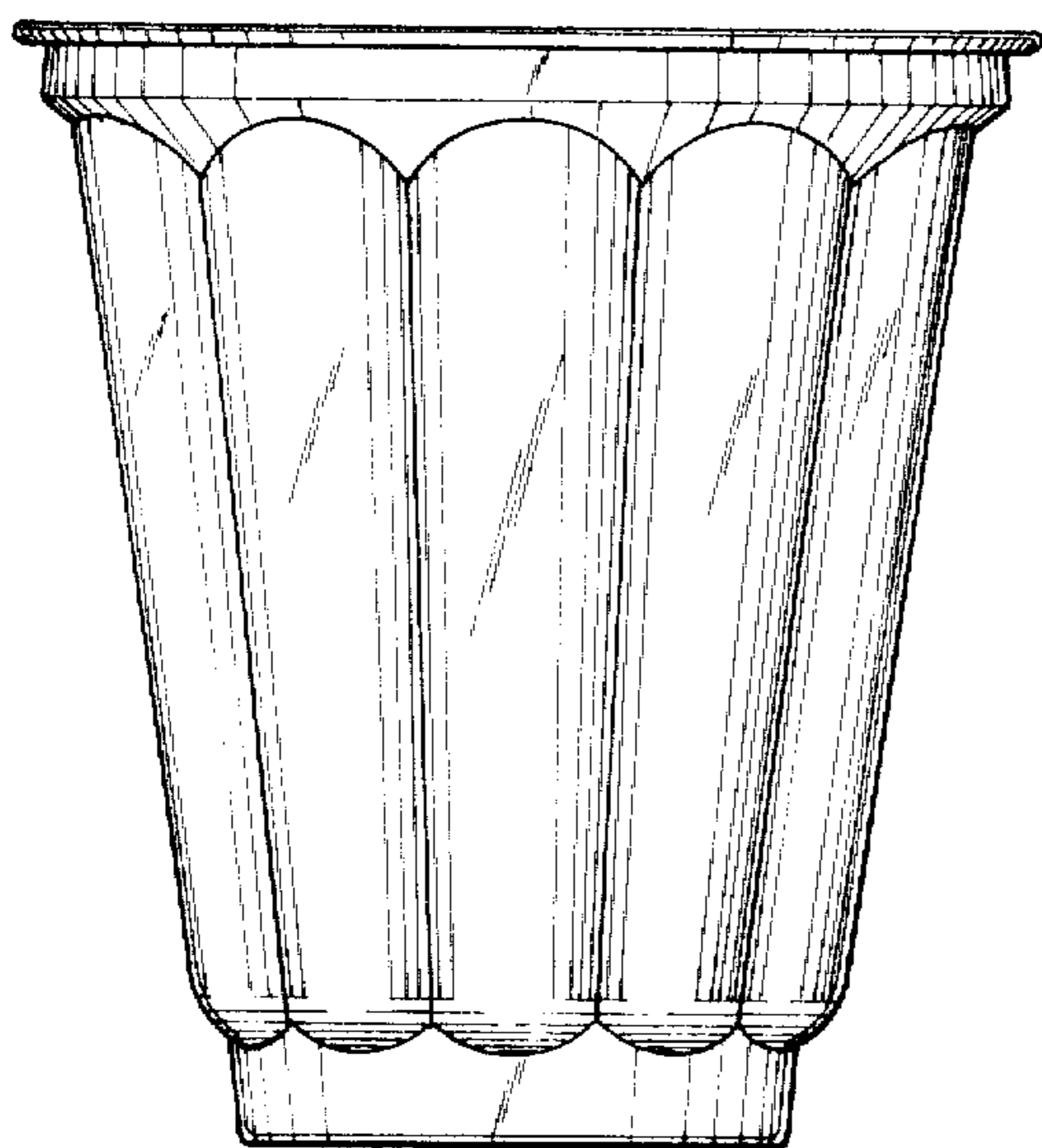


Fig. 2

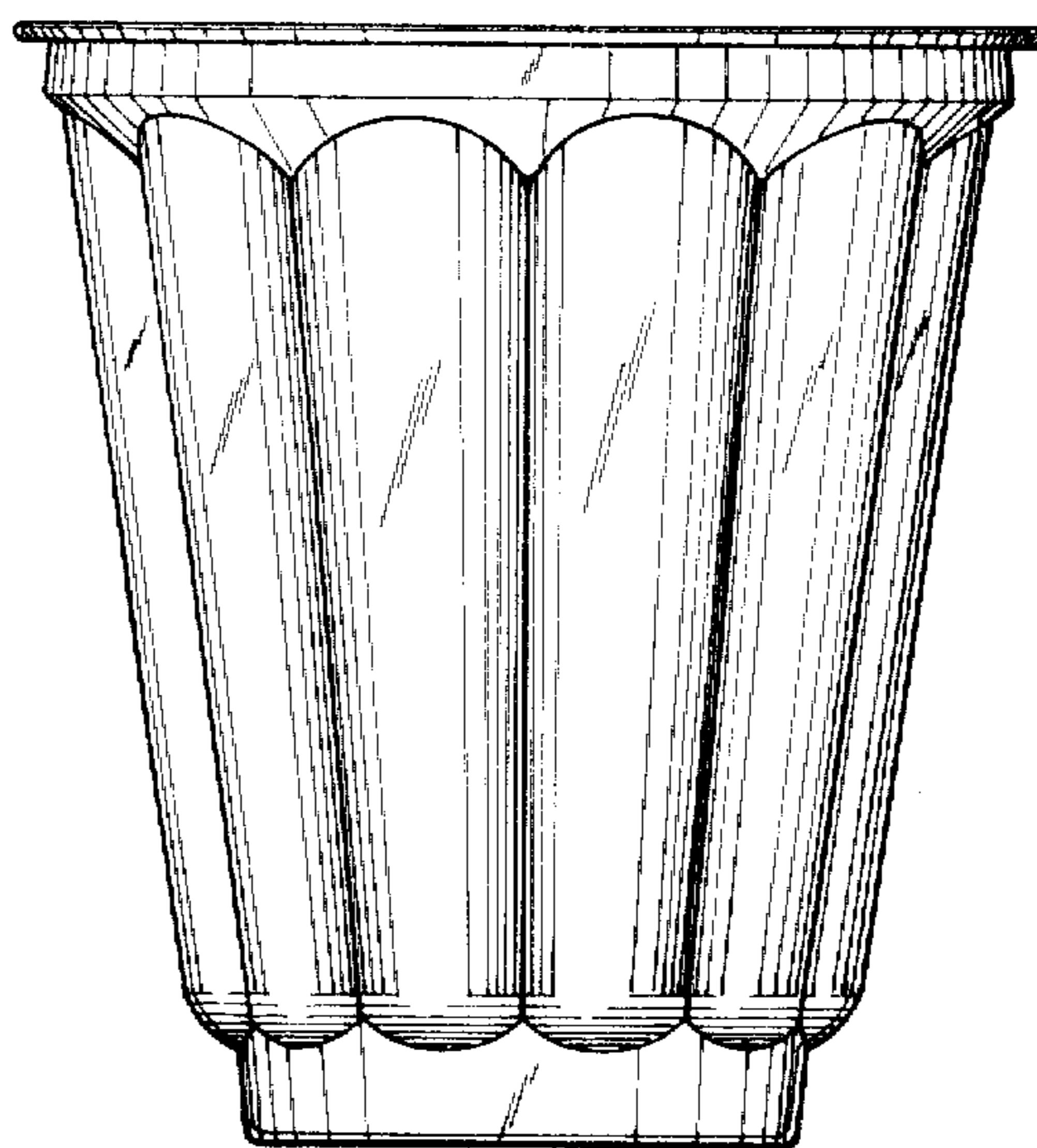


Fig. 3

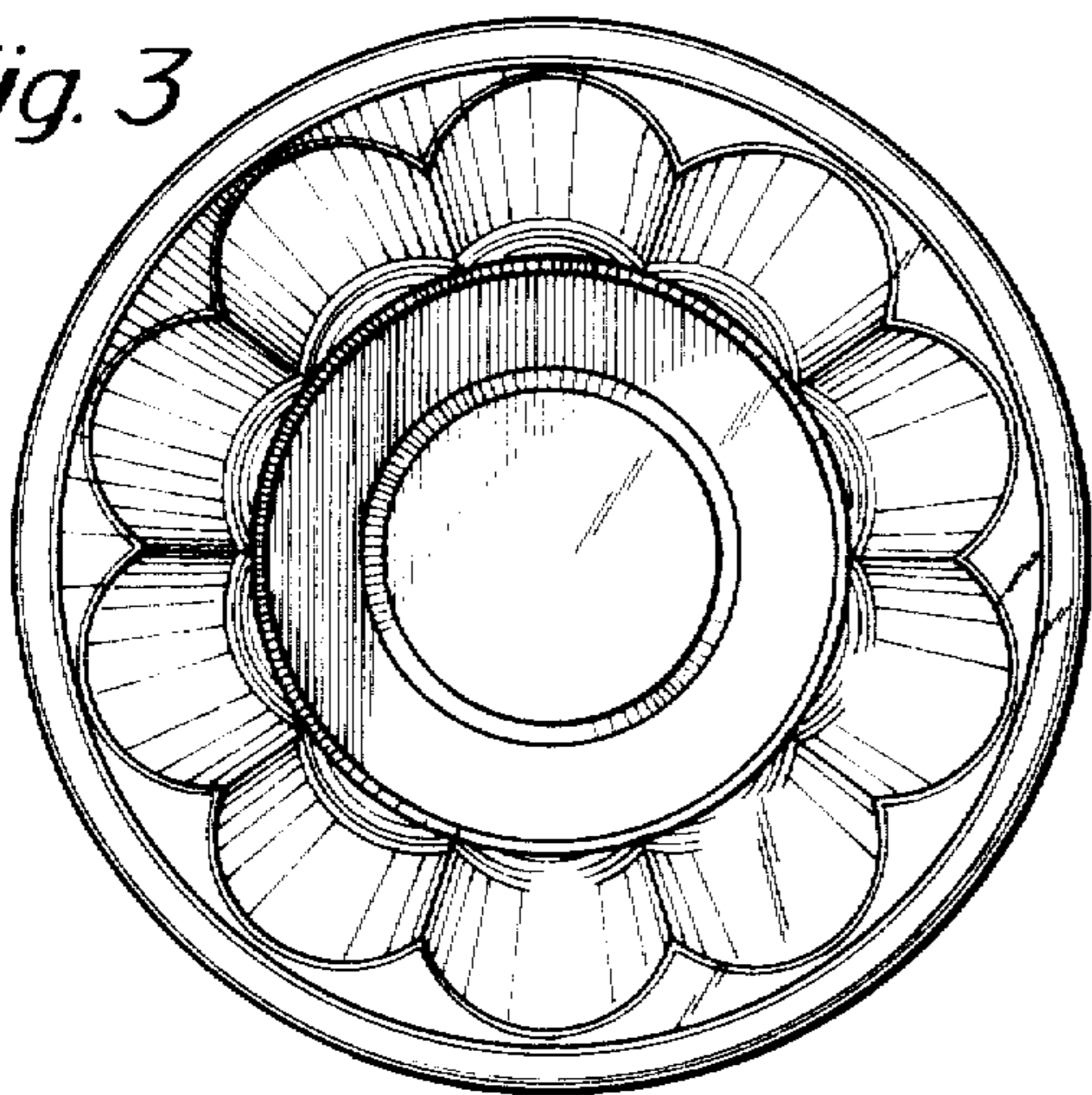


Fig. 4

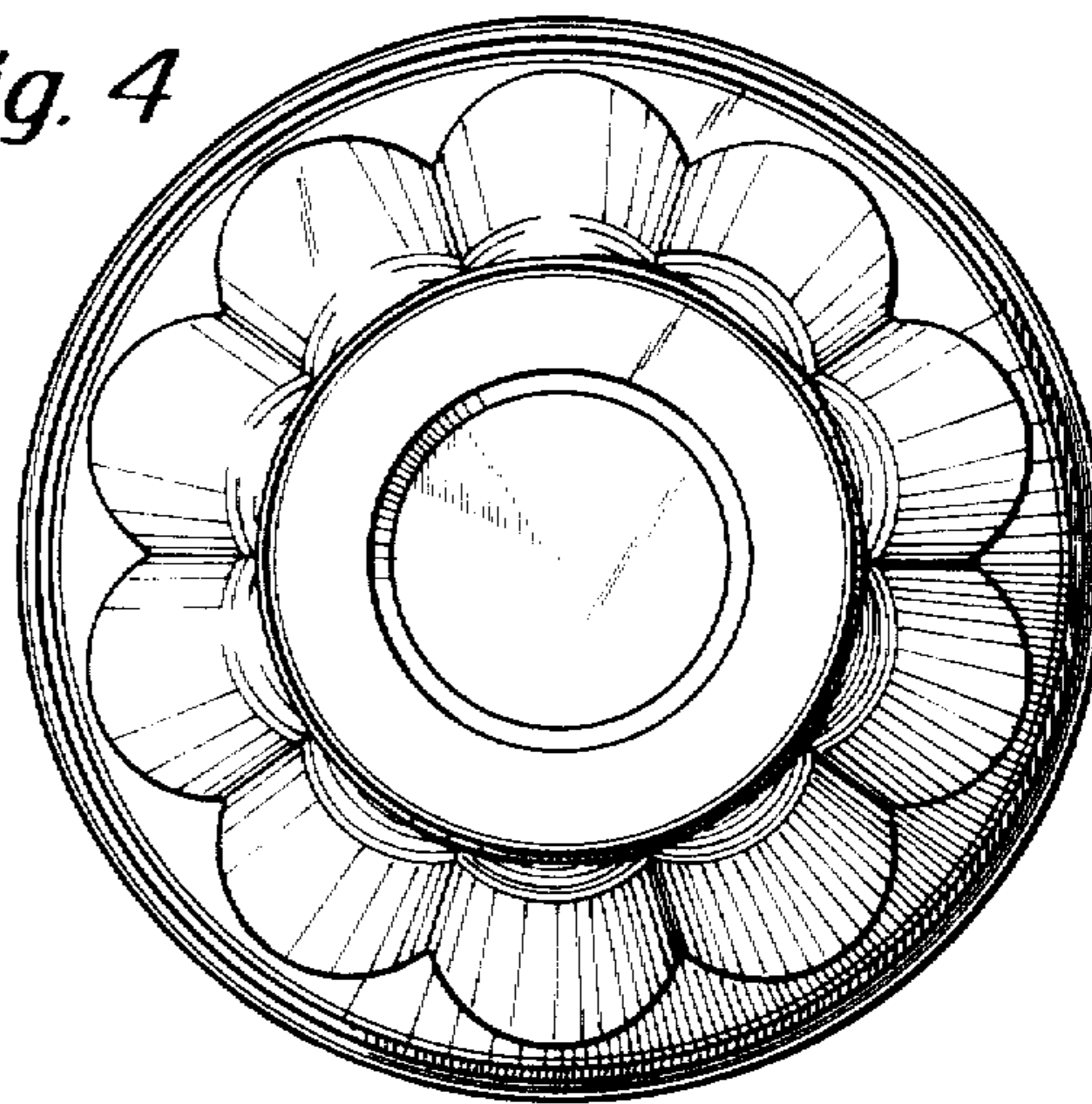


Fig. 5

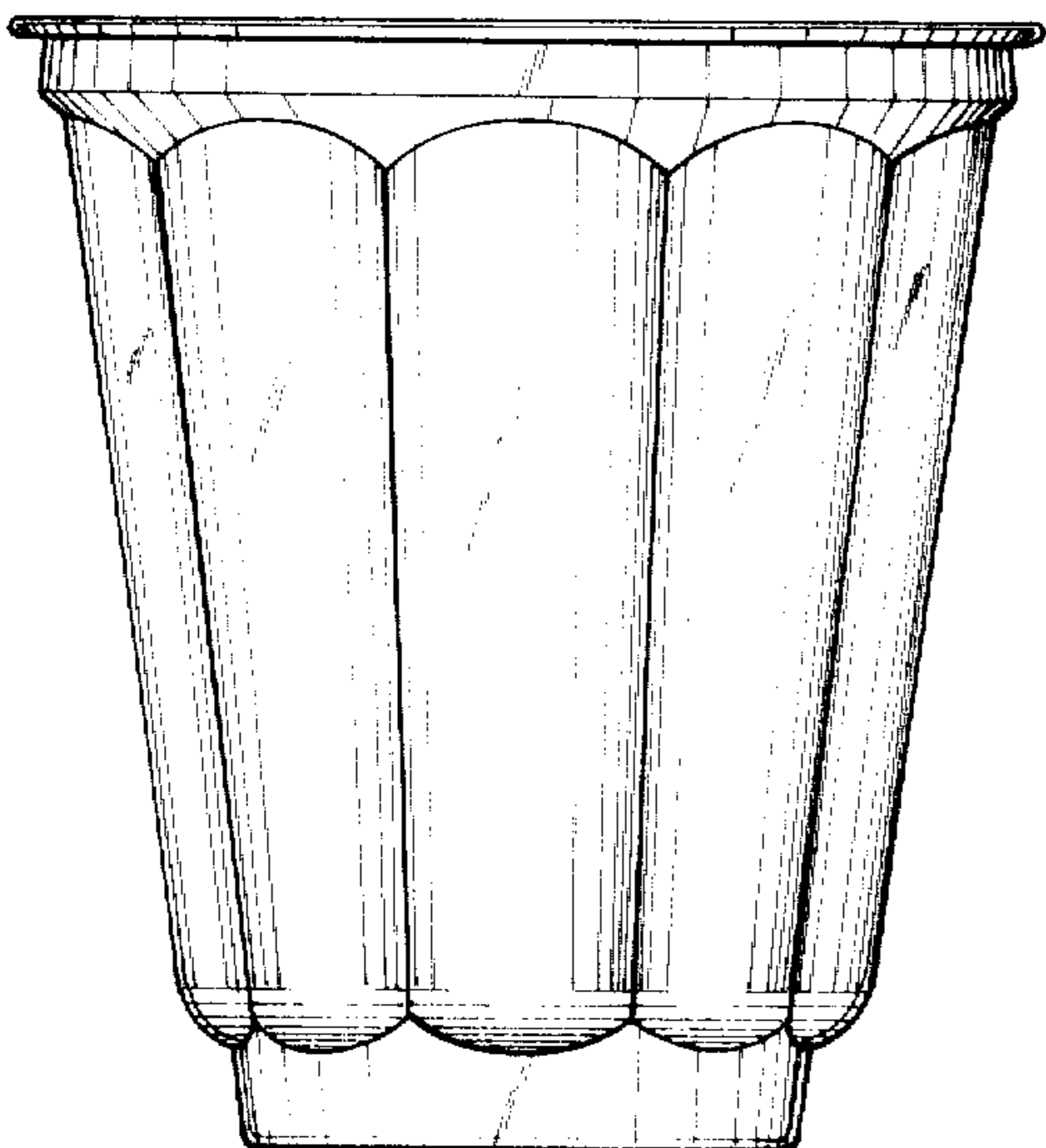


Fig. 6

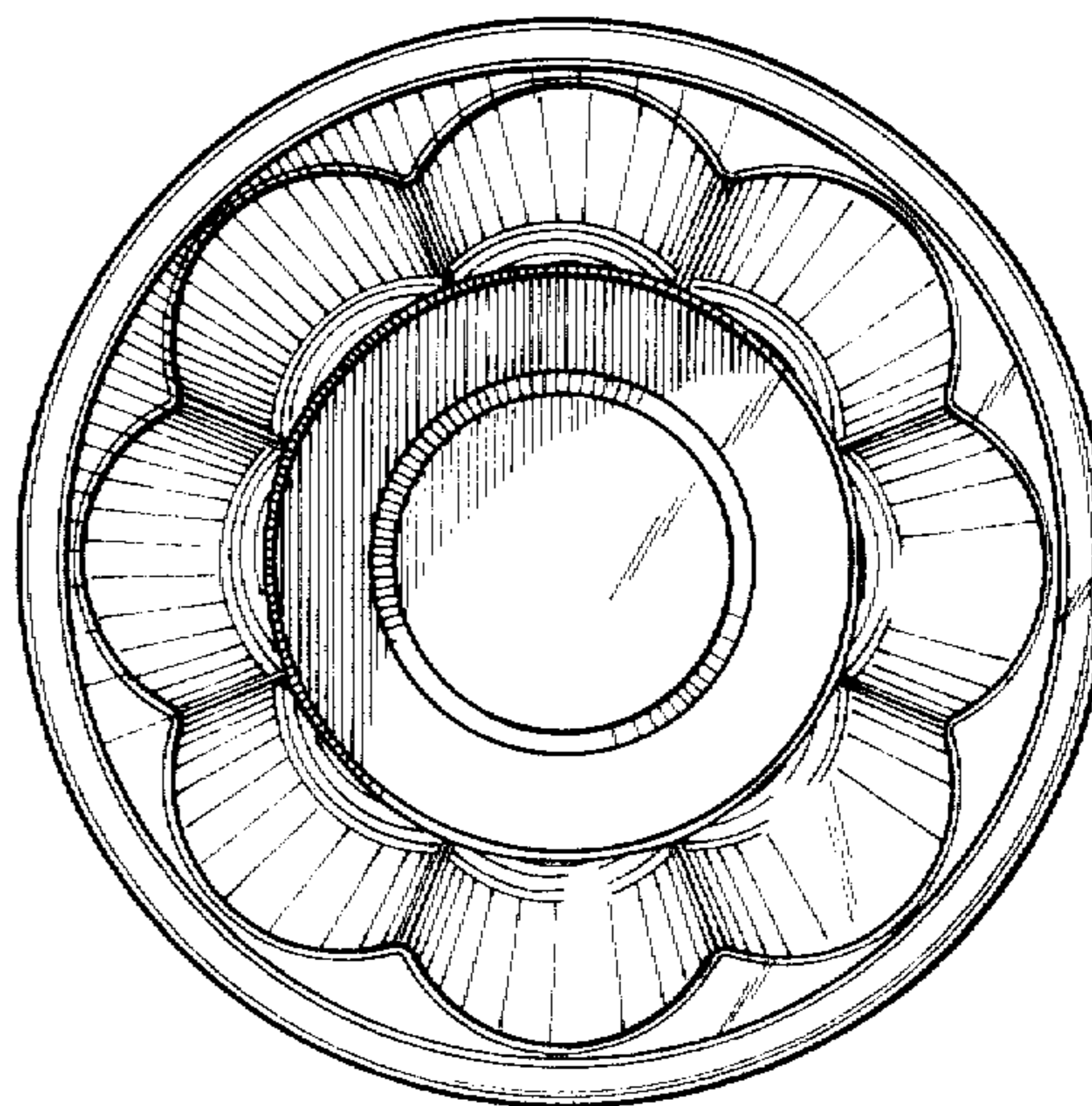


Fig. 7

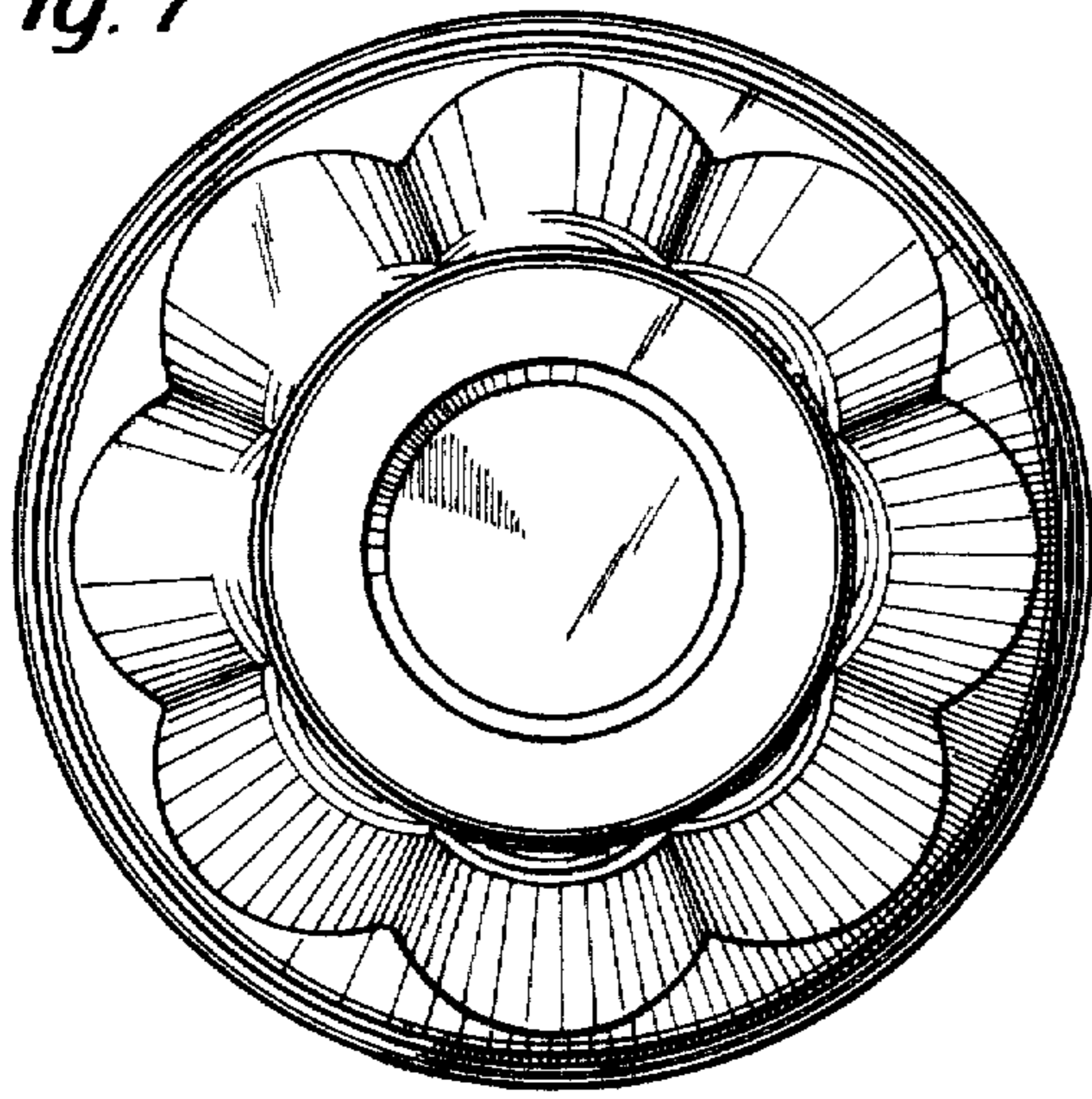


Fig. 8

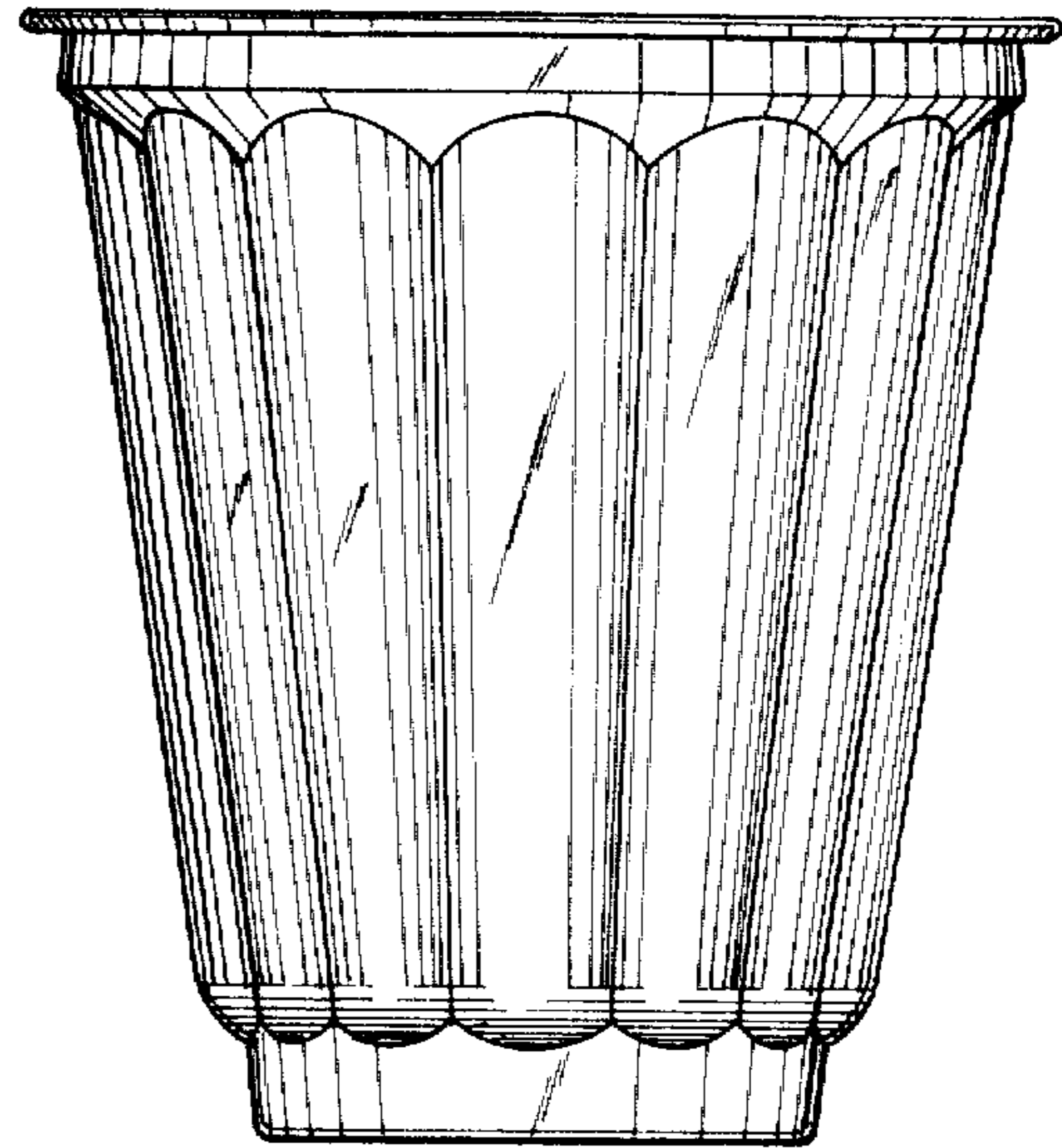


Fig. 9

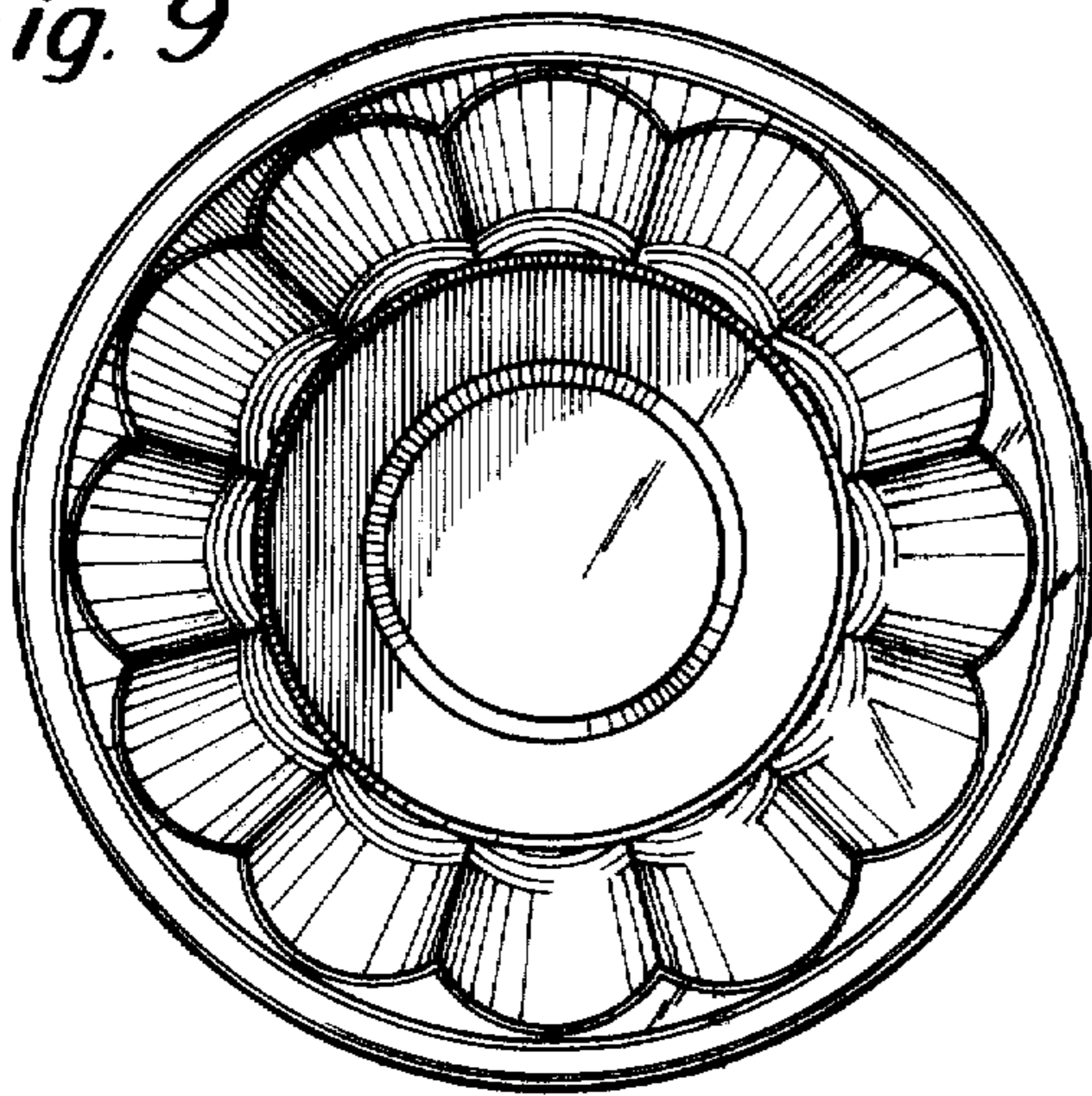


Fig. 10

