

[54] REBAR SUPPORT AND NAILING BLOCK HOLDER

[76] Inventor: David A. Van Doren, P.O. Box 1008, Hays, Kans. 67601

[**] Term: 14 Years

[21] Appl. No.: 128,491

[22] Filed: Mar. 10, 1980

[51] Int. Cl. D8-08

[52] U.S. Cl. D8/354

[58] Field of Search D8/354, 367, 373; 24/335, 336, 339; 248/74 A, 72, 68 CB; 52/677, 687-689; 403/397-399, 385, 391

[56] References Cited

U.S. PATENT DOCUMENTS

- 3,471,987 10/1969 Yelsma 52/689
- 3,680,818 8/1972 Bujnowski et al. 24/339

- 3,778,537 12/1973 Miller 248/74 A
- 4,049,125 9/1977 Rochestie 24/339

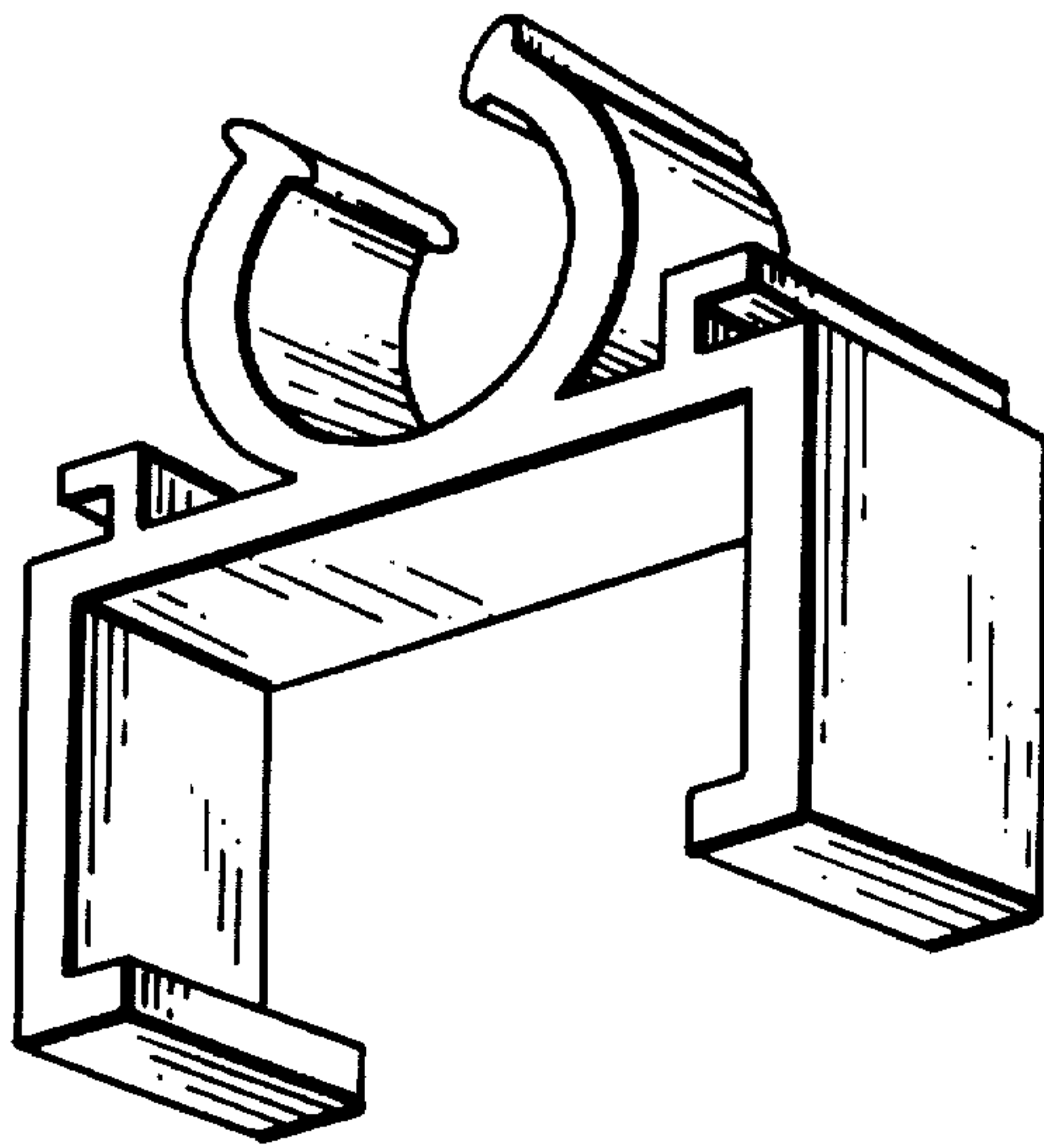
Primary Examiner—Peter M. Caun
Attorney, Agent, or Firm—D. A. N. Chase; Michael Yakimo, Jr.

[57] CLAIM

The ornamental design for a rebar support and nailing block holder, as shown and described.

DESCRIPTION

FIG. 1 is a perspective view of the rebar support and nailing block holder;
 FIG. 2 is a front elevational view thereof, and it is understood that a rear view would be identical to FIG. 2;
 FIG. 3 is a side elevational view thereof, and it is understood that a view of the opposite side would be identical to FIG. 3;
 FIG. 4 is a top plan view thereof; and
 FIG. 5 is a bottom view.



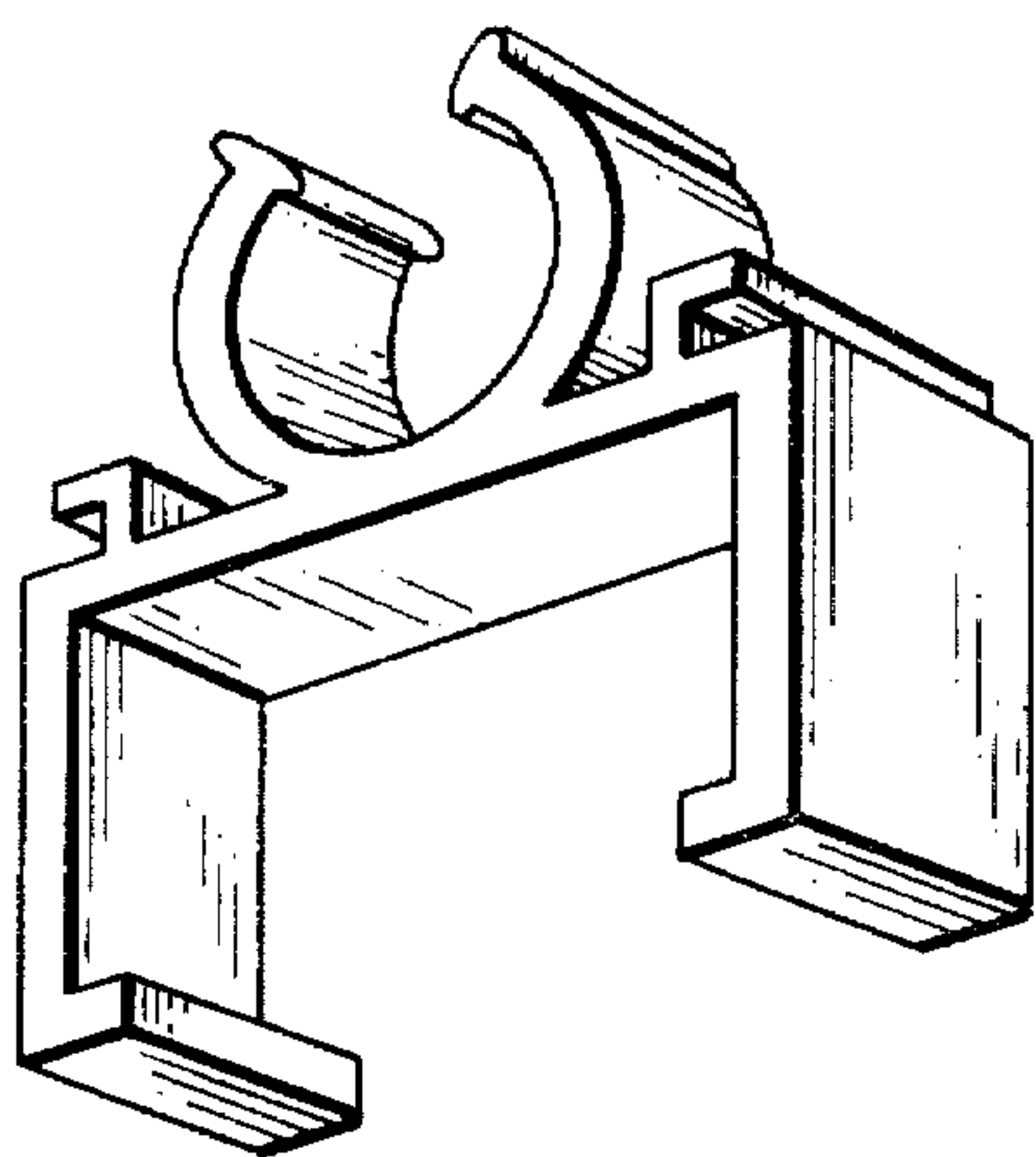


Fig. 1.

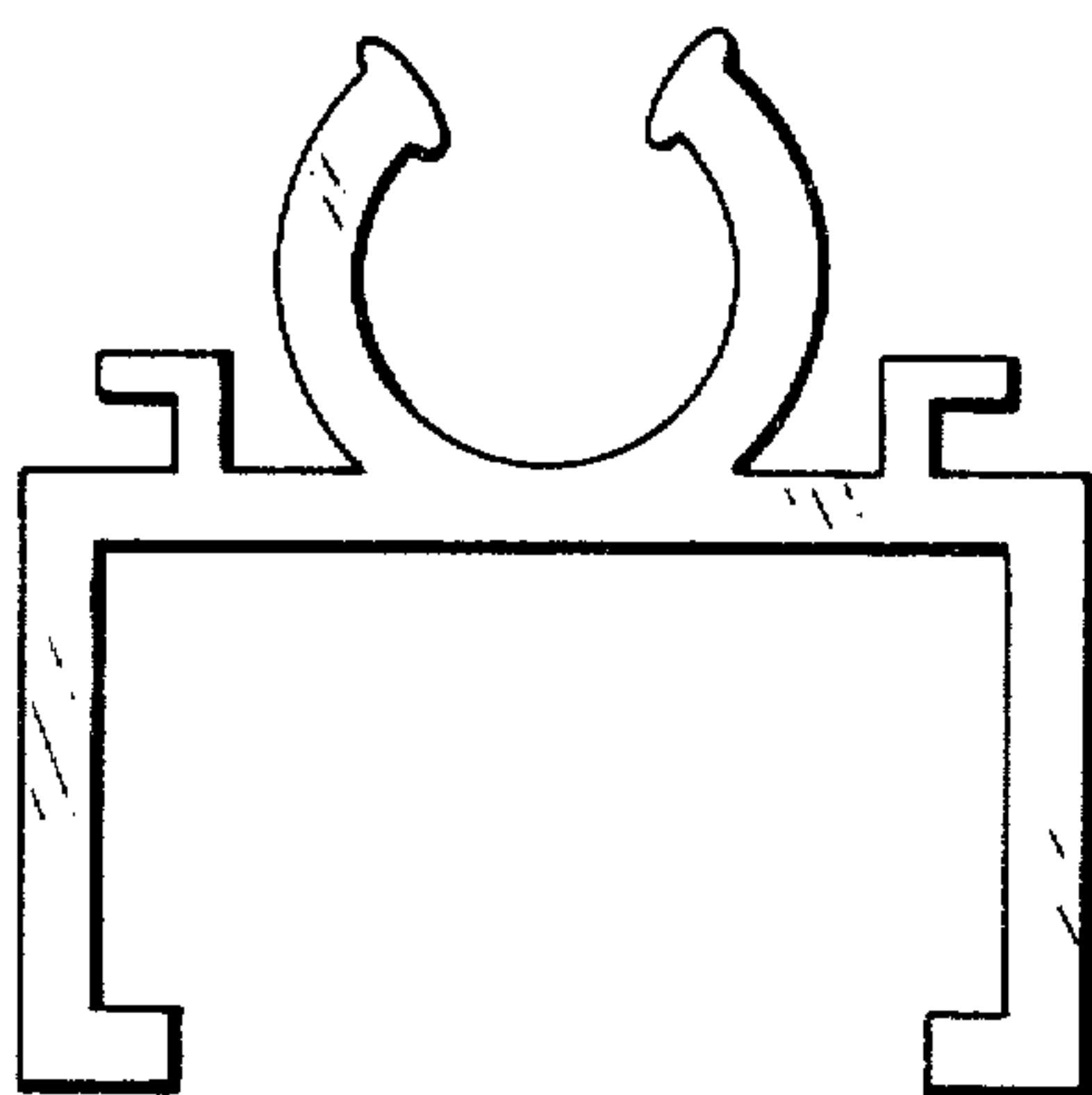


Fig. 2.

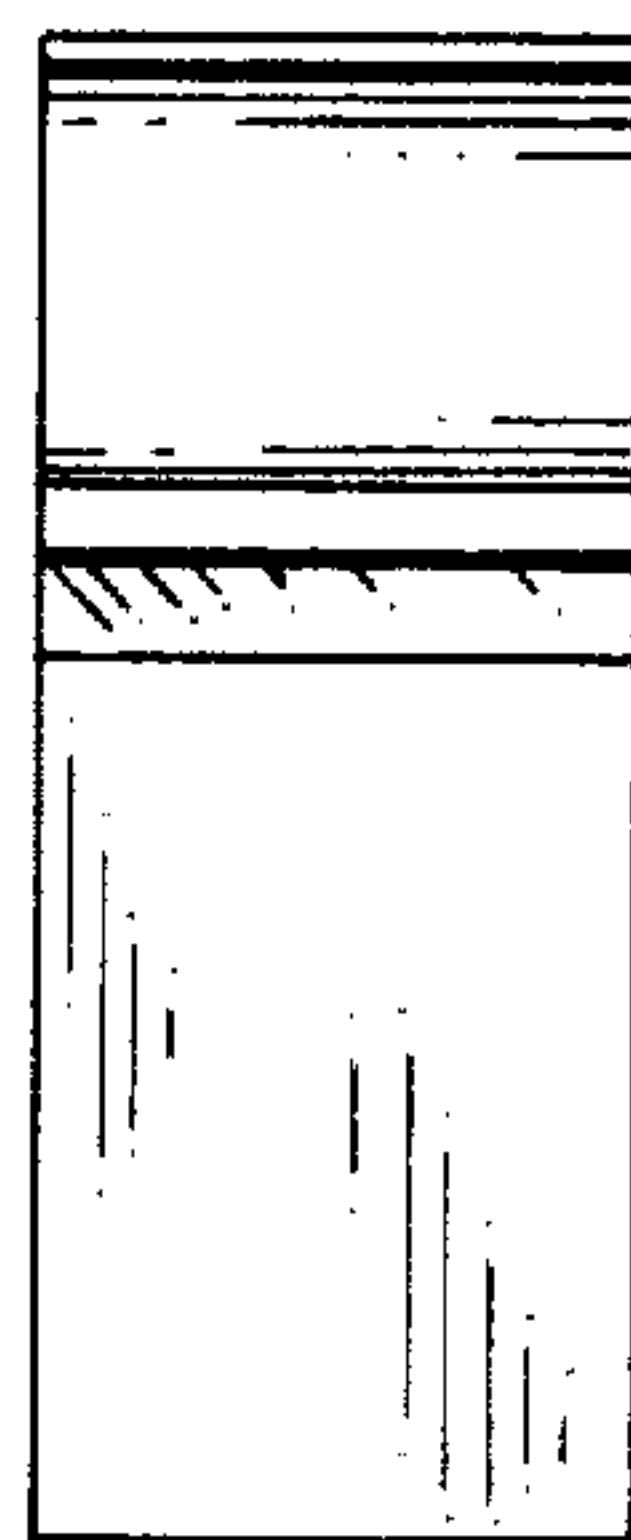


Fig. 3.

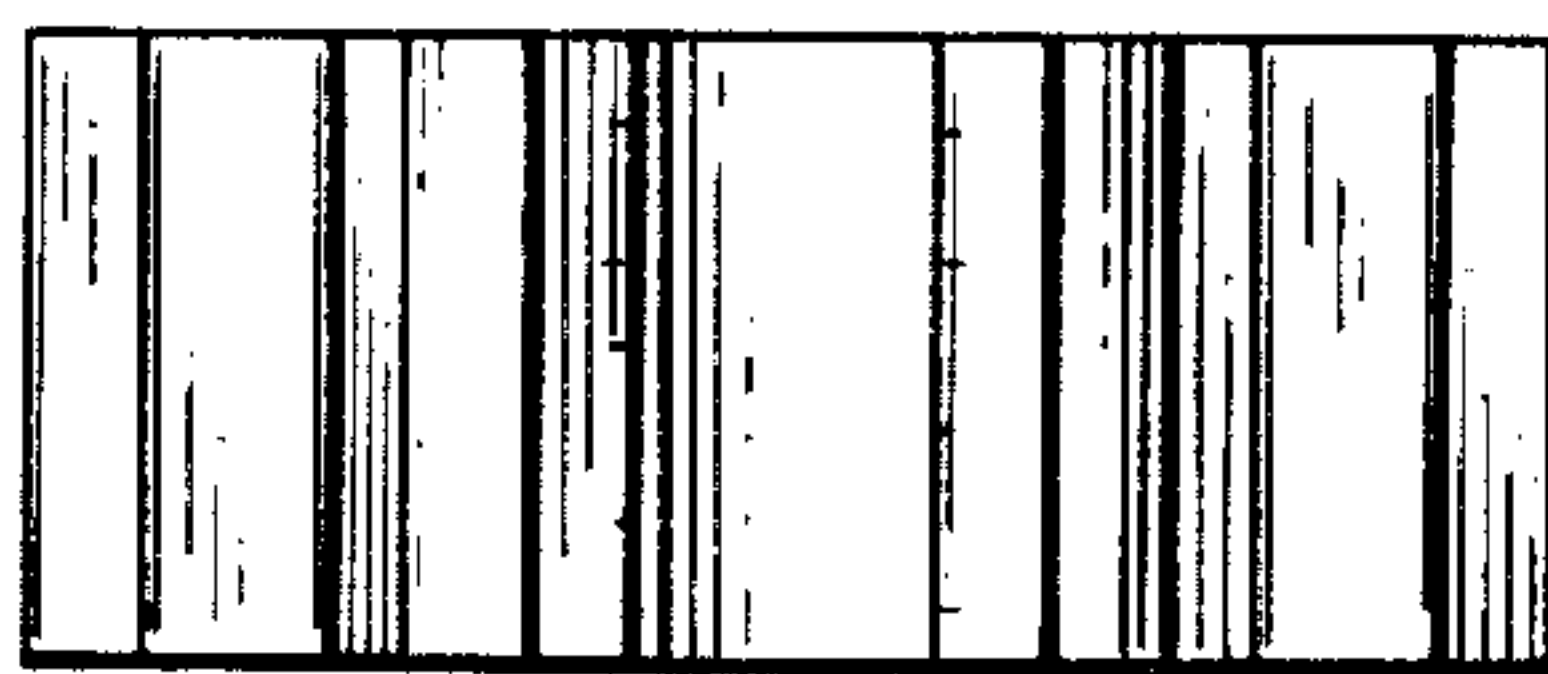


Fig. 4.

Fig. 5.

